

**BALDOR® • RELIANCE** 

**Product Information Packet**

**WALKER INDUSTRIAL PRODUCTS, INC.**

**EM3554T-57**

**1.5HP, 1455RPM, 3PH, 50HZ, 145T, 3526M, TEFC, F**

Part Detail							
Revision:	F	Status:	PRD/A	Change #:		Proprietary:	No
Type:	AC	Elec. Spec:	35WGL463	CD Diagram:	CD0022	Mfg Plant:	
Mech. Spec:	35AA001	Layout:	35LYAA001	Poles:	04	Created Date:	12-22-2015
Base:	RG	Eff. Date:	03-13-2018	Leads:	6#18		

Specs			
Catalog Number:	EM3554T-57	Insulation Class:	F
Enclosure:	TEFC	Inverter Code:	Inverter Ready
Frame:	145T	KVA Code:	M
Frame Material:	Steel	Lifting Lugs:	No Lifting Lugs
Output @ Frequency:	1.500 HP @ 50 HZ	Locked Bearing Indicator:	No Locked Bearing
Synchronous Speed @ Frequency:	1500 RPM @ 50 HZ	Motor Lead Quantity/Wire Size:	6 @ 18 AWG
Voltage @ Frequency:	400.0 V @ 50 HZ	Motor Lead Exit:	Ko Box
	230.0 V @ 50 HZ	Motor Lead Termination:	Flying Leads
XP Class and Group:	None	Motor Type:	3526M
XP Division:	Not Applicable	Mounting Arrangement:	F1
Agency Approvals:	CE	Power Factor:	65
	CSA	Product Family:	General Purpose
	UR	Pulley End Bearing Type:	Ball
Auxillary Box:	No Auxillary Box	Pulley Face Code:	Standard
Auxillary Box Lead Termination:	None	Pulley Shaft Indicator:	Standard
Base Indicator:	Rigid	Rodent Screen:	None
Bearing Grease Type:	Polyrex EM (-20F +300F)	RoHS Status:	ROHS COMPLIANT
Blower:	None	Shaft Extension Location:	Pulley End

<b>Current @ Voltage:</b>	2.900 A @ 400.0 V	<b>Shaft Ground Indicator:</b>	No Shaft Grounding
	5.000 A @ 230.0 V	<b>Shaft Rotation:</b>	Reversible
<b>Design Code:</b>	B	<b>Shaft Slinger Indicator:</b>	No Slinger
<b>Drip Cover:</b>	No Drip Cover	<b>Speed Code:</b>	Single Speed
<b>Duty Rating:</b>	CONT	<b>Motor Standards:</b>	NEMA
<b>Electrically Isolated Bearing:</b>	Not Electrically Isolated	<b>Starting Method:</b>	Direct on line
<b>Feedback Device:</b>	NO FEEDBACK	<b>Thermal Device - Bearing:</b>	NONE (OLD)
<b>Front Face Code:</b>	Standard	<b>Thermal Device - Winding:</b>	None
<b>Front Shaft Indicator:</b>	None	<b>Vibration Sensor Indicator:</b>	No Vibration Sensor
<b>Heater Indicator:</b>	No Heater	<b>Winding Thermal 1:</b>	None
		<b>Winding Thermal 2:</b>	None

Nameplate NP2716L											
CAT NO	EM3554T-57										
SPEC.	35AA001L463G1										
HP	1.5							PH	3		
VOLTS	230/400										
AMP	5/2.9										
RPM	1455										
FRAME	145T				HZ	50			I.P.	54	
SER.F.	1.15			CODE	M		DES	B		CL	F
NOM.EFF.	84.2							%		(100%)	
PF	65							USABLE AT 208V			
RATING	40C AMB-CONT						CC				
DE BRG	6205				ODE	6203					
ENCL	TEFC			SN							
BLANK	IE3 - 84.4 (75%) 81.2 (50%)										

Parts List		
Part Number	Description	Quantity
SA312759	SA 35AA001L463G1	1.000 EA
RA300199	RA 35AA001L463G1	1.000 EA
NS2512A01	INSULATOR, CONDUIT BOX X	1.000 EA
35CB3009	35 CB W/1.09 DIA. LEAD HOLE @ 6:	1.000 EA
36GS1000SP	GASKET-CONDUIT BOX, .06 THICK #SV-330 LE	1.000 EA
51XB1016A07	10-16 X 7/16 HXWSSLD SERTYB	2.000 EA
11XW1032G06	10-32 X .38, TAPTITE II, HEX WSHR SLTD U	1.000 EA
35EP3122A00	MASTER ODE,203 BRG,.683SH,#26 DRN,GRSR,F	1.000 EA
HW4500A01	1641B(ALEMITE)400 UNIV, GREASE FITT	1.000 EA
HW5100A03	WAVY WASHER (W1543-017)	1.000 EA
35EP3123F00	MASTER DE,205 BRG,.998SH,#26 DRN,GRSR	1.000 EA
HW4500A01	1641B(ALEMITE)400 UNIV, GREASE FITT	1.000 EA
XY1032A02	10-32 HEX NUT DIRECTIONAL SERRATION	4.000 EA
51XB1214A16	12-14X1.00 HXWSSLD SERTYB	1.000 EA
35FH4005A84SP	IEC FH W/GRSR, NO DIMPLES PRIMED	1.000 EA
51XW1032A06	10-32 X .38, TAPTITE II, HEX WSHR SLTD S	3.000 EA
35CB4521GX	CONDUIT BOX LID KIT	1.000 EA
51XW0832A07	8-32 X .44, TAPTITE II, HEX WSHR SLTD SE	4.000 EA
HW2501D13	KEY, 3/16 SQ X 1.375	1.000 EA
HA7000A01	KEY RETAINER 7/8" DIA SHAFT	1.000 EA
85XU0407S04	4X1/4 U DRIVE PIN STAINLESS	2.000 EA
MJ1000A02	GREASE, POLYREX EM EXXON (USe 4824-15A)	0.050 LB
35FN3002A05SP	EXFN, PLASTIC, 6.376 OD, .638 ID	1.000 EA
MG1000G27	MED CHARCOAL METALLIC GREY 400-0096	0.017 GA

<b>Parts List (continued)</b>		
<b>Part Number</b>	<b>Description</b>	<b>Quantity</b>
HA3100A18	THRUBOLT 10-32 X 9.250	4.000 EA
HA4067A01	PUSH IN DRAIN FITTING (BLACK)	1.000 EA
HA4067A01	PUSH IN DRAIN FITTING (BLACK)	1.000 EA
LB1119N	WARNING LABEL	1.000 EA
LC0034	CONNECTION LABEL	1.000 EA
MN416A01	TAG-INSTAL-MAINT no wire (1200/bx) 5/18	1.000 EA
NP2716L	ALUM SUPER-E NEMA IE3 UL CSA CC CE	1.000 EA
36PA1000	PKG GRP, PRINT PK1016A06	1.000 EA
PE-0000001	ZRTG PE ASSEMBLY	1.000 EA
FE-0000001	ZRTG FE ASSEMBLY	1.000 EA

**AC Induction Motor Performance Data**

Record # 54653 - Typical performance - not guaranteed values

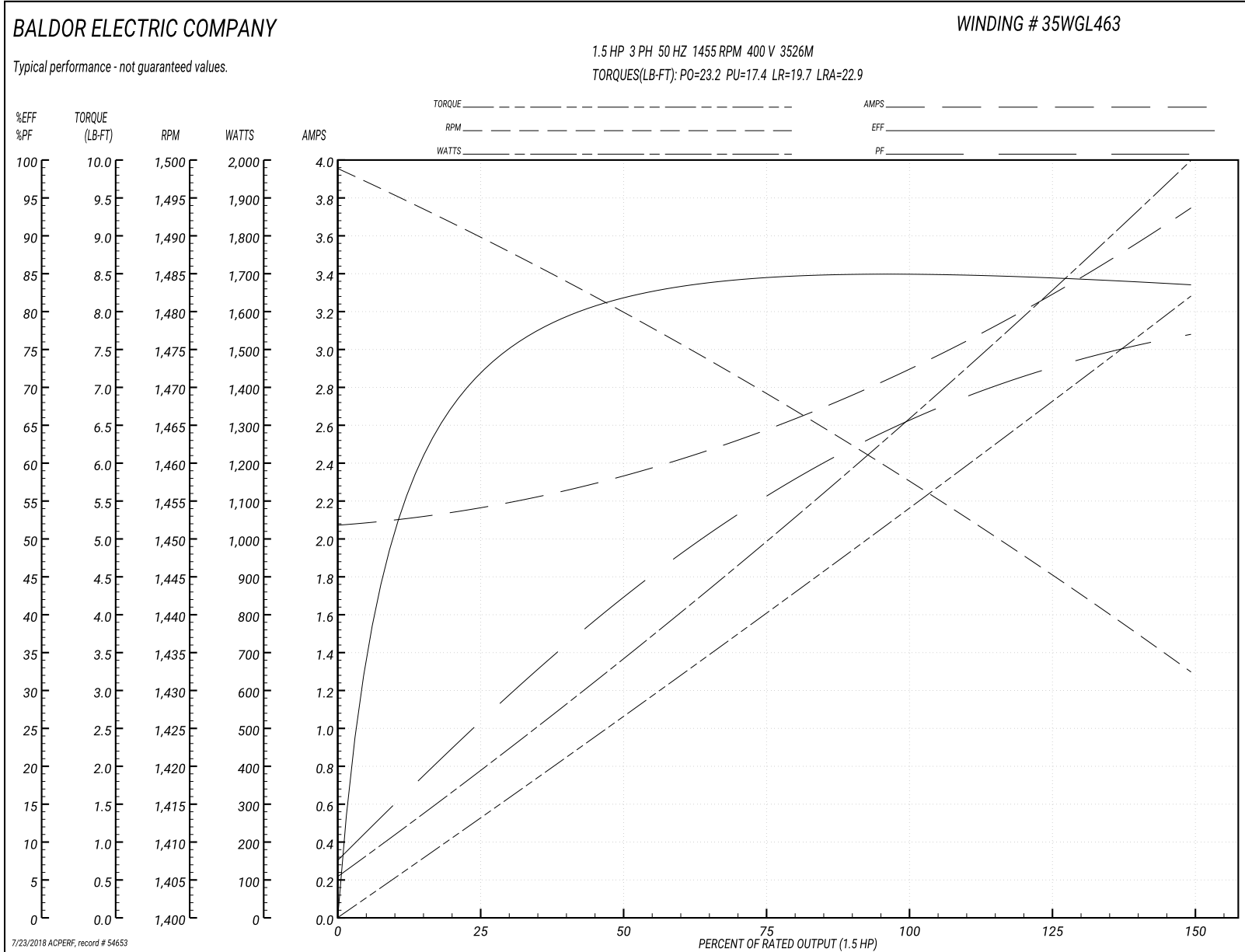
<b>Winding:</b> 35WGL463-R002	<b>Type:</b> 3526M	<b>Enclosure:</b> TEFC
-------------------------------	--------------------	------------------------

Nameplate Data				400 V, 50 Hz: High Voltage Connection	
Rated Output (HP)	1.5			Full Load Torque	5.39 LB-FT
Volts	230/400			Start Configuration	direct on line
Full Load Amps	5/2.9			Breakdown Torque	23.2 LB-FT
R.P.M.	1455			Pull-up Torque	17.4 LB-FT
Hz	50	Phase	3	Locked-rotor Torque	19.7 LB-FT
NEMA Design Code	B	KVA Code	M	Starting Current	22.9 A
Service Factor (S.F.)	1.15			No-load Current	2.08 A
NEMA Nom. Eff.	84.1	Power Factor	65	Line-line Res. @ 25°C	7.36 Ω
Rating - Duty	40C AMB-CONT			Temp. Rise @ Rated Load	60°C
S.F. Amps				Temp. Rise @ S.F. Load	69°C
				Locked-rotor Power Factor	56.3
				Rotor inertia	0.154 LB-FT <sup>2</sup>

Load Characteristics 400 V, 50 Hz, 1.5 HP

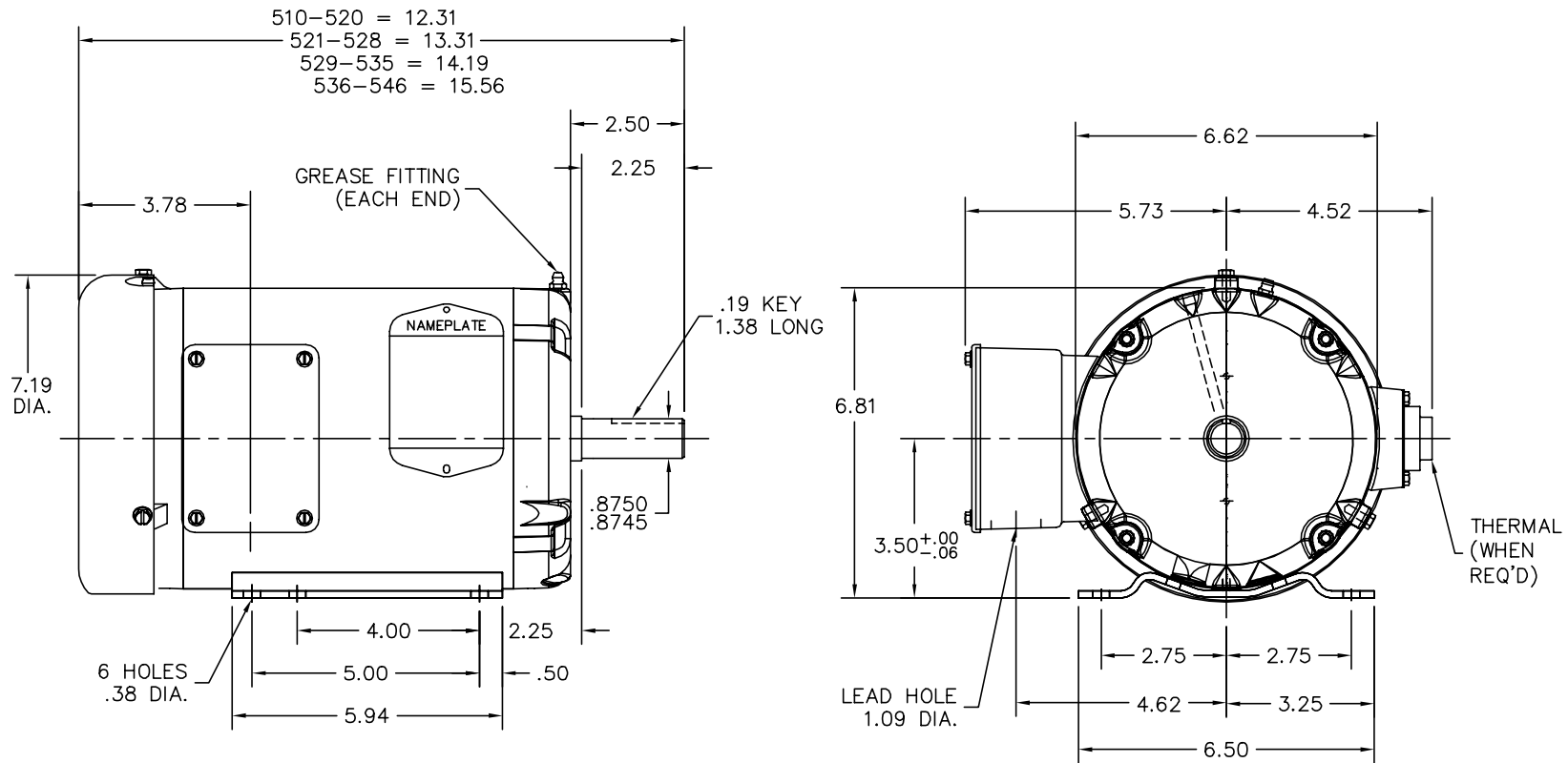
% of Rated Load	25	50	75	100	125	150	S.F.
Power Factor	26	42	55	65	72	77	69
Efficiency	71.5	81.2	84.4	85.4	84.5	83.5	84.9
Speed	1490	1480	1469	1458	1446	1432	1451
Line amperes	2.15	2.33	2.57	2.89	3.3	3.74	3.14

Performance Graph at 400V, 50Hz, 1.5HP Typical performance - Not guaranteed values





35LYAA001



CUSTOMER IS RESPONSIBLE FOR DETERMINING THAT BALDOR'S PRODUCT WILL PERFORM SUITABLY IN THE INTENDED APPLICATION.

REV. DESC: REPLACE ENDPLATES		
REV. LTR: C	VERSION: 03	TDR: 000001063670
FILE: \AAA\00168\387	REVISED: 09:30:05 03/14/2018	BY: USJOBUR22
MTL: -	☉ □	

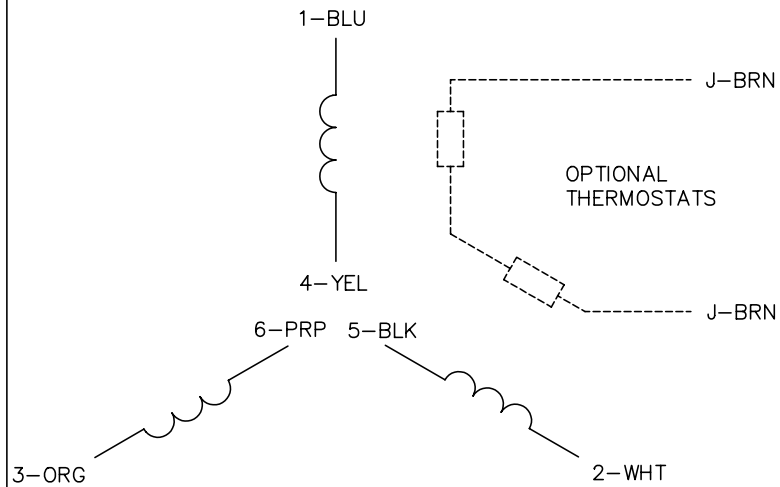
**BALDOR**

STD HORZ 143-5T TEFC 35M W/1.09 LEAD HOLE

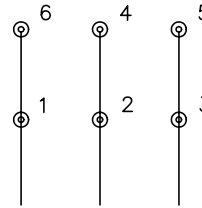
SH 1 of 1

35LYAA001

CD0022

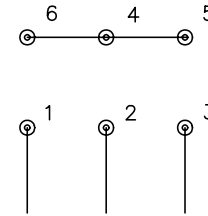


LOW VOLTAGE  
(1D)



LINE

HIGH VOLTAGE  
(1Y)



LINE

NOTES:

1. INTERCHANGE ANY TWO LINE LEADS TO REVERSE ROTATION.
2. OPTIONAL THERMOSTATS ARE PROVIDED WHEN SPECIFIED.
3. ACTUAL NUMBER OF INTERNAL PARALLEL CIRCUITS MAY BE A MULTIPLE OF THOSE SHOWN ABOVE.
4. LEAD COLORS ARE OPTIONAL. LEADS MUST ALWAYS BE NUMBERED AS SHOWN.

REV. DESC: REVISE TO SHOW OPTIONAL COLORS			
REV. LTR: F	BY: JLP	REVISED: 01/21/99 3:54	TDR: 0171435
CD0022		FILE: AAA00005144	MDL: -
		MTL: -	

**BALDOR ELECTRIC Co.**

3PH, DV, 6 LEADS, DELTA/WYE CONNECTION

CD0022