

BALDOR® • *RELIANCE*

Product Information Packet

EM3614T

2HP,1170RPM,3PH,60HZ,184T,3644M,TEFC,F1

Copyright © All product information within this document is subject to Baldor Electric Company copyright © protection, unless otherwise noted.

| Part Detail | | | | | | | |
|-------------|------|-------------|-------|----------------|----------|---------------|------------|
| Revision: | C | Status: | PRD/A | Change #: | | Proprietary: | No |
| Type: | AC | Prod. Type: | 3644M | Elec. Spec: | 36WGS917 | CD Diagram: | |
| Enclosure: | TEFC | Mfg Plant: | | Mech. Spec: | 36G271 | Layout: | |
| Frame: | 184T | Mounting: | F1 | Poles: | 06 | Created Date: | 04-17-2012 |
| Base: | RG | Rotation: | R | Insulation: | F | Eff. Date: | 06-20-2012 |
| Leads: | 9#16 | Literature: | | Elec. Diagram: | | Replaced By: | |

| Nameplate NP1259L | | | | | | | |
|-------------------|--------------|----------------|------|-----|---|----|---|
| CAT.NO. | EM3614T | | | | | | |
| SPEC. | 36G271S917G1 | | | | | | |
| HP | 2 | | | | | | |
| VOLTS | 208-230/460 | | | | | | |
| AMP | 7/3.5 | | | | | | |
| RPM | 1175 | | | | | | |
| FRAME | 184T | HZ | 60 | PH | 3 | | |
| SER.F. | 1.15 | CODE | M | DES | A | CL | F |
| NEMA-NOM-EFF | 88.5 | PF | 60 | | | | |
| RATING | 40C AMB-CONT | | | | | | |
| CC | 010A | USABLE AT 208V | | | | | |
| DE | 6206 | ODE | 6205 | | | | |
| ENCL | TEFC | SN | | | | | |
| | | | | | | | |

| Parts List | | |
|----------------|--|----------|
| Part Number | Description | Quantity |
| SA242781 | SA 36G271S917G1 | 1.000 EA |
| RA229684 | RA 36G271S917G1 | 1.000 EA |
| 36FN3000B01 | EXFN, PLASTIC, 6.00 OD, .912 ID | 1.000 EA |
| S/P107-000-001 | SUPER E PROC'S-FS & WS PLTS-POLYREX EM G | 1.000 EA |
| 36CB3004 | 36 CB CASTING W/1.09 DIA LEAD HOLE @ 6:0 | 1.000 EA |
| 36GS1000SP | GASKET-CONDUIT BOX, .06 THICK #SV-330 LE | 1.000 EA |
| 51XB1016A08 | 10-16X 1/2HXWSSLD SERTYB | 2.000 EA |
| 11XW1032G06 | 10-32 X .38, TAPTITE II, HEX WSHR SLTD U | 1.000 EA |
| 36EP3104A01 | FREP MACH W/GRSR, RAISED FH PADS | 1.000 EA |
| HW4500A01 | 1641B(ALEMITE)400 UNIV, GREASE FITT | 1.000 EA |
| HW5100A05 | WVY WSHR F/205 & 304 BRGS | 1.000 EA |
| 36EP3100A01SP | PU ENDPLATE, MACH | 1.000 EA |
| HW4500A01 | 1641B(ALEMITE)400 UNIV, GREASE FITT | 1.000 EA |
| XY2520A12 | 1/4-20 HEX NUT, DIRECTIONAL SERRATIONS | 4.000 EA |
| 36FH4009A102SP | IEC FH GREASER W/AUTOPHERETIC PRIMER | 1.000 EA |
| 51XW1032A06 | 10-32 X .38, TAPTITE II, HEX WSHR SLTD S | 3.000 EA |
| 36CB4516 | 36 LIPPED CB LID | 1.000 EA |
| 37GS1001SP | GASKET, CONDUIT BOX LID, .06 THICK LEXID | 1.000 EA |
| 51XW0832A07 | 8-32 X .44, TAPTITE II, HEX WSHR SLTD SE | 4.000 EA |
| HW2501E16 | 3KEY, 1/4 SQ X 1.750 | 1.000 EA |
| HA7000A02 | KEY RETAINER RING, 1 1/8 DIA, 1 3/8 DIA | 1.000 EA |
| 85XU0407S04 | 4X1/4 U DRIVE PIN STAINLESS | 2.000 EA |
| HW3200A01 | 3/8-16X3/4 I-BLT WELDED F/S | 1.000 EA |
| MJ1000A75 | GREASE, POLYREX EM EXXON | 0.050 LB |

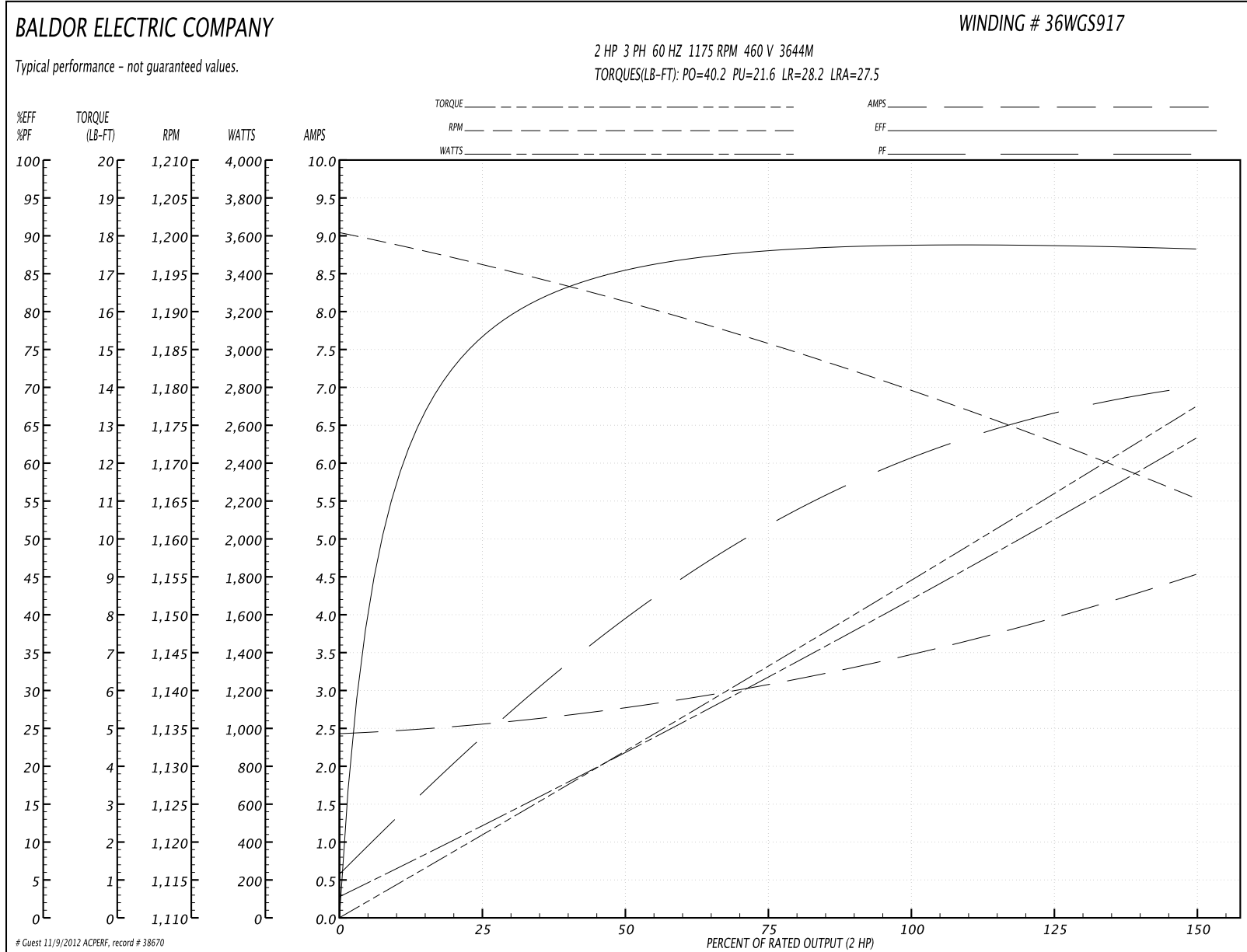
| Parts List (continued) | | |
|------------------------|--|----------|
| Part Number | Description | Quantity |
| 51XB1214A16 | 12-14X1.00 HXWSSLD SERTYB | 1.000 EA |
| LB1115 | LABEL,LIFTING DEVICE | 1.000 EA |
| HA3101A28 | THRUBOLT 1/4-20 X 12.500 OHIO ROD | 4.000 EA |
| MG1000Y03 | WILKO 689.710 GOLD PAINT SUPER E | 0.022 GA |
| LC0005E01 | CONN.DIA./WARNING LABEL (LC0005/LB1119) | 1.000 EA |
| LB1125C02 | SUPER-E (STOCK CTN LABEL SUPER-E WITH FL | 1.000 EA |
| LB1357 | ENERGY GUIDE LABEL (BOX LABEL) | 1.000 SH |
| NP1259L | ALUM SUPER-E UL CSA-EEV CC NEMA PREMIUM | 1.000 EA |
| 36PA1001 | PACKAGING GROUP | 1.000 EA |

Performance Data at 460V, 60Hz, 2.0HP (Typical performance - Not guaranteed values)

| General Characteristics | | | |
|--------------------------|----------------------------------|----------------------|------------|
| Full Load Torque: | 8.91 LB-FT | Start Configuration: | DOL |
| No-Load Current: | 2.45 Amps | Break-Down Torque: | 40.2 LB-FT |
| Line-line Res. @ 25°C.: | 4.2188 Ohms A Ph / 0.0 Ohms B Ph | Pull-Up Torque: | 21.6 LB-FT |
| Temp. Rise @ Rated Load: | 34 C | Locked-Rotor Torque: | 28.2 LB-FT |
| Temp. Rise @ S.F. Load: | 39 C | Starting Current: | 27.5 Amps |

| Load Characteristics | | | | | | | |
|----------------------|--------|--------|--------|--------|--------|--------|--------|
| % of Rated Load | 25 | 50 | 75 | 100 | 125 | 150 | S.F. |
| Power Factor: | 24.0 | 40.0 | 52.0 | 60.0 | 66.0 | 70.0 | 64.0 |
| Efficiency: | 76.4 | 85.3 | 88.0 | 88.9 | 88.8 | 88.4 | 88.8 |
| Speed: | 1196.9 | 1191.4 | 1185.5 | 1179.4 | 1172.7 | 1165.5 | 1175.0 |
| Line Amperes: | 2.53 | 2.76 | 3.09 | 3.49 | 3.97 | 4.52 | 3.78 |

Performance Graph at 460V, 60Hz, 2.0HP Typical performance - Not guaranteed values

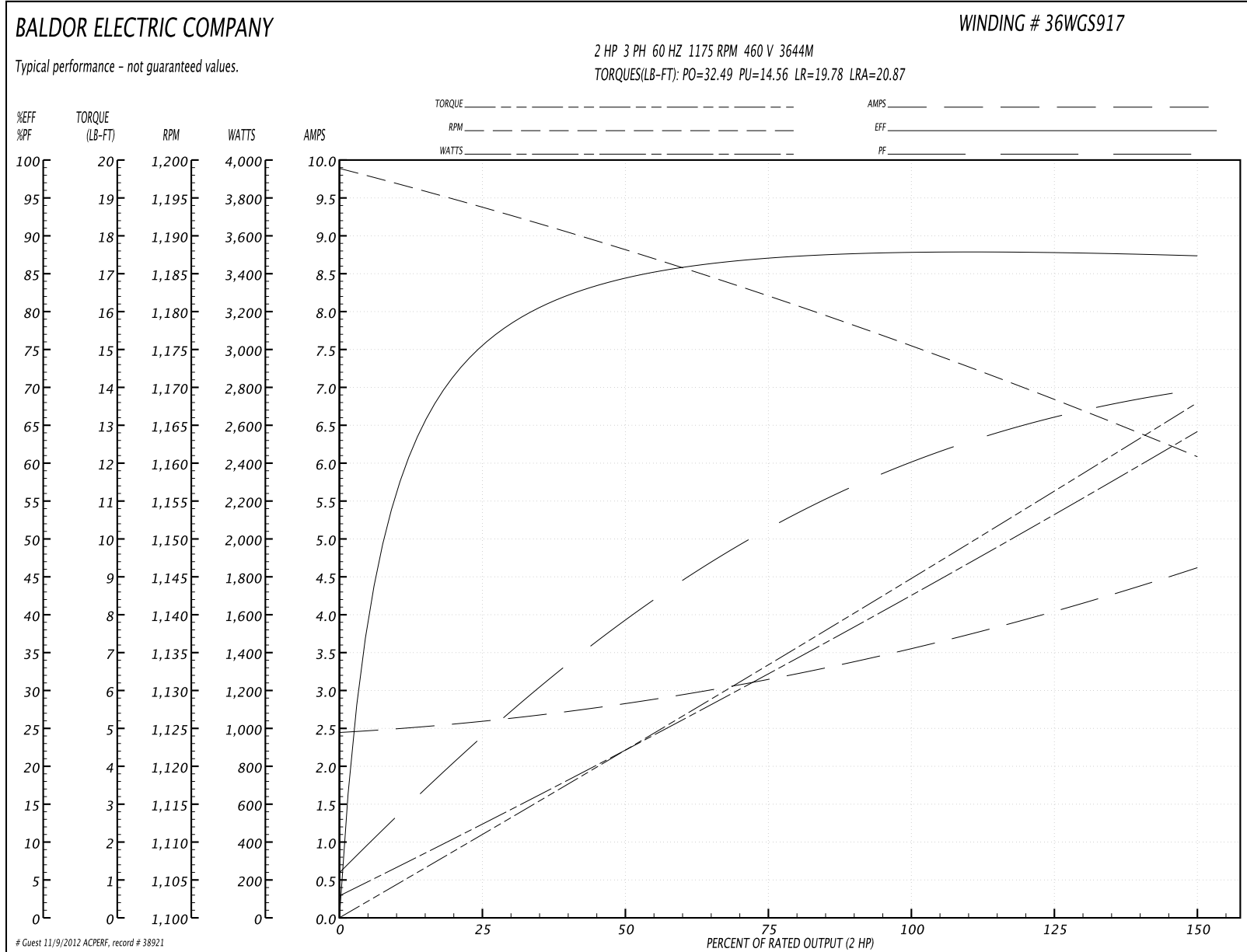


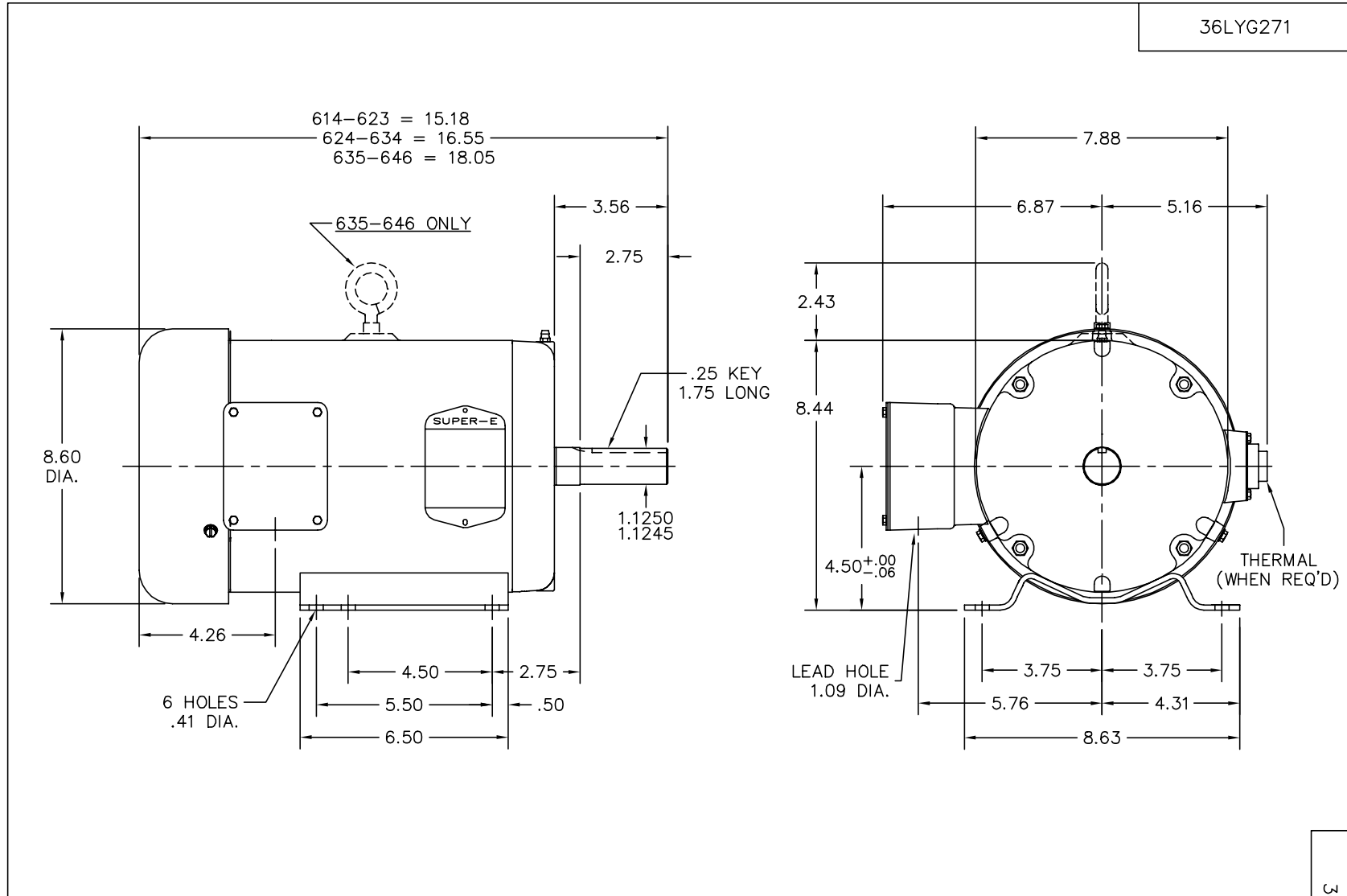
Performance Data at 460V, 60Hz, 2.0HP (Typical performance - Not guaranteed values)

| General Characteristics | | | |
|--------------------------|----------------------------------|----------------------|-------------|
| Full Load Torque: | 8.96 LB-FT | Start Configuration: | DOL |
| No-Load Current: | 2.47 Amps | Break-Down Torque: | 32.49 LB-FT |
| Line-line Res. @ 25°C.: | 4.2189 Ohms A Ph / 0.0 Ohms B Ph | Pull-Up Torque: | 14.56 LB-FT |
| Temp. Rise @ Rated Load: | 46 C | Locked-Rotor Torque: | 19.78 LB-FT |
| Temp. Rise @ S.F. Load: | 53 C | Starting Current: | 20.87 Amps |

| Load Characteristics | | | | | | | |
|----------------------|--------|--------|--------|--------|--------|--------|--------|
| % of Rated Load | 25 | 50 | 75 | 100 | 125 | 150 | S.F. |
| Power Factor: | 24.0 | 40.0 | 51.0 | 60.0 | 66.0 | 70.0 | 64.0 |
| Efficiency: | 75.6 | 84.4 | 87.0 | 87.8 | 87.7 | 87.2 | 87.7 |
| Speed: | 1193.7 | 1188.1 | 1182.0 | 1175.4 | 1168.4 | 1160.8 | 1171.0 |
| Line Amperes: | 2.57 | 2.81 | 3.15 | 3.58 | 4.07 | 4.6 | 3.87 |

Performance Graph at 460V, 60Hz, 2.0HP Typical performance - Not guaranteed values





CUSTOMER IS RESPONSIBLE FOR DETERMINING THAT MOTOR PERFORMANCE IS SUITABLE IN THE APPLICATION.

| | | | |
|--|----------------------|------------------------------|--|
| REV. DESC: FREEZE LINES SHOWING THROUGH CAPACITOR/KO BOX | | | |
| REV. LTR: H | VERSION: 04 | TDR: 000000384004 | |
| 1Z9A79Z | FILE: \AAA\00003\771 | REVISED: 16:52:27 12/22/2005 | |
| | MTL: - | BY: ENCHRCO | |

BALDOR ELECTRIC Co.

STD HORZ 182-4T TEFC 36M SUPER-E

36LYG271

CD0005

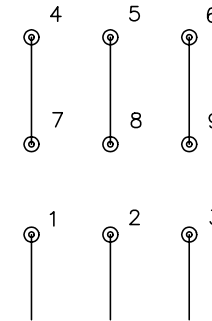


LOW VOLTAGE
(2Y)



LINE

HIGH VOLTAGE
(1Y)



LINE

NOTES:

1. INTERCHANGE ANY TWO LINE LEADS TO REVERSE ROTATION.
2. OPTIONAL THERMOSTATS ARE PROVIDED WHEN SPECIFIED.
3. ACTUAL NUMBER OF INTERNAL PARALLEL CIRCUITS MAY BE A MULTIPLE OF THOSE SHOWN ABOVE.
4. LEAD COLORS ARE OPTIONAL. LEADS MUST ALWAYS BE NUMBERED AS SHOWN.

| | | | |
|---|---------|-------------------------|--------------|
| REV. DESC: REVISE TO SHOW OPTIONAL COLORS | | | |
| REV. LTR: E | BY: JLP | REVISED: 01/19/99 10:15 | TDR: 0171435 |
| 90000 | | FILE: AAA00005140 | MDL: - |
| | | MTL: - | |

BALDOR ELECTRIC Co.

3PH, DV, 9 LEADS

CD0005