

BALDOR® • *RELIANCE*

Product Information Packet

EM3616T

7.5HP,3450RPM,3PH,60HZ,184T,3646M,TEFC,F

Copyright © All product information within this document is subject to Baldor Electric Company copyright © protection, unless otherwise noted.

Part Detail										
Revision:	B	Status:	PRD/A	Change #:		Proprietary:	No			
Type:	AC	Prod. Type:	3646M	Elec. Spec:	36WGS428	CD Diagram:				
Enclosure:	TEFC	Mfg Plant:		Mech. Spec:	36G271	Layout:				
Frame:	184T	Mounting:	F1	Poles:	02	Created Date:	07-28-2010			
Base:	RG	Rotation:	R	Insulation:	F	Eff. Date:	10-03-2011			
Leads:	9#16	Literature:		Elec. Diagram:		Replaced By:				
Nameplate NP1259L										
CAT.NO.	EM3616T									
SPEC.	36G271S428G1									
HP	7.5									
VOLTS	208-230/460									
AMP	18.5-16.8/8.4									
RPM	3450									
FRAME	184T	HZ				60	PH	3		
SER.F.	1.15	CODE				L	DES	A	CL	F
NEMA-NOM-EFF	89.5	PF				93				
RATING	40C AMB-CONT									
CC	010A	USABLE AT 208V				18.5				
DE	6206	ODE				6205				
ENCL	TEFC	SN								

Parts List		
Part Number	Description	Quantity
SA200420	SA 36G271S428G1	1.000 EA
RA187734	RA 36G271S428G1	1.000 EA
S/P107-000-001	SUPER E PROC'S-FS & WS PLTS-POLYREX EM G	1.000 EA
36CB3004	36 CB CASTING W/1.09 DIA LEAD HOLE @ 6:0	1.000 EA
36GS1000SP	GASKET-CONDUIT BOX, .06 THICK #SV-330 LE	1.000 EA
51XB1016A08	10-16X 1/2HXWSSLD SERTYB	2.000 EA
11XW1032G06	10-32 X .38, TAPTITE II, HEX WSHR SLTD U	1.000 EA
36EP3104A01	FREP MACH W/GRSR, RAISED FH PADS	1.000 EA
HW4500A01	1641B(ALEMITE)400 UNIV, GREASE FITT	1.000 EA
HW5100A05	WVY WSHR F/205 & 304 BRGS	1.000 EA
36EP3100A01SP	PU ENDPLATE, MACH	1.000 EA
HW4500A01	1641B(ALEMITE)400 UNIV, GREASE FITT	1.000 EA
XY2520A12	1/4-20 HEX NUT, DIRECTIONAL SERRATIONS	4.000 EA
36FH4009A102SP	IEC FH GREASER W/AUTOPHERETIC PRIMER	1.000 EA
51XW1032A06	10-32 X .38, TAPTITE II, HEX WSHR SLTD S	3.000 EA
36CB4516	36 LIPPED CB LID	1.000 EA
37GS1001SP	GASKET, CONDUIT BOX LID, .06 THICK LEXID	1.000 EA
51XW0832A07	8-32 X .44, TAPTITE II, HEX WSHR SLTD SE	4.000 EA
HW2501E16	3KEY, 1/4 SQ X 1.750	1.000 EA
HA7000A02	KEY RETAINER RING, 1 1/8 DIA, 1 3/8 DIA	1.000 EA
85XU0407S04	4X1/4 U DRIVE PIN STAINLESS	2.000 EA
HW3200A01	3/8-16X3/4 I-BLT WELDED F/S	1.000 EA
MJ1000A75	GREASE, POLYREX EM EXXON	0.050 LB
36FN3000C01SP	EXFN, PLASTIC, 5.25 OD, .912 ID	1.000 EA

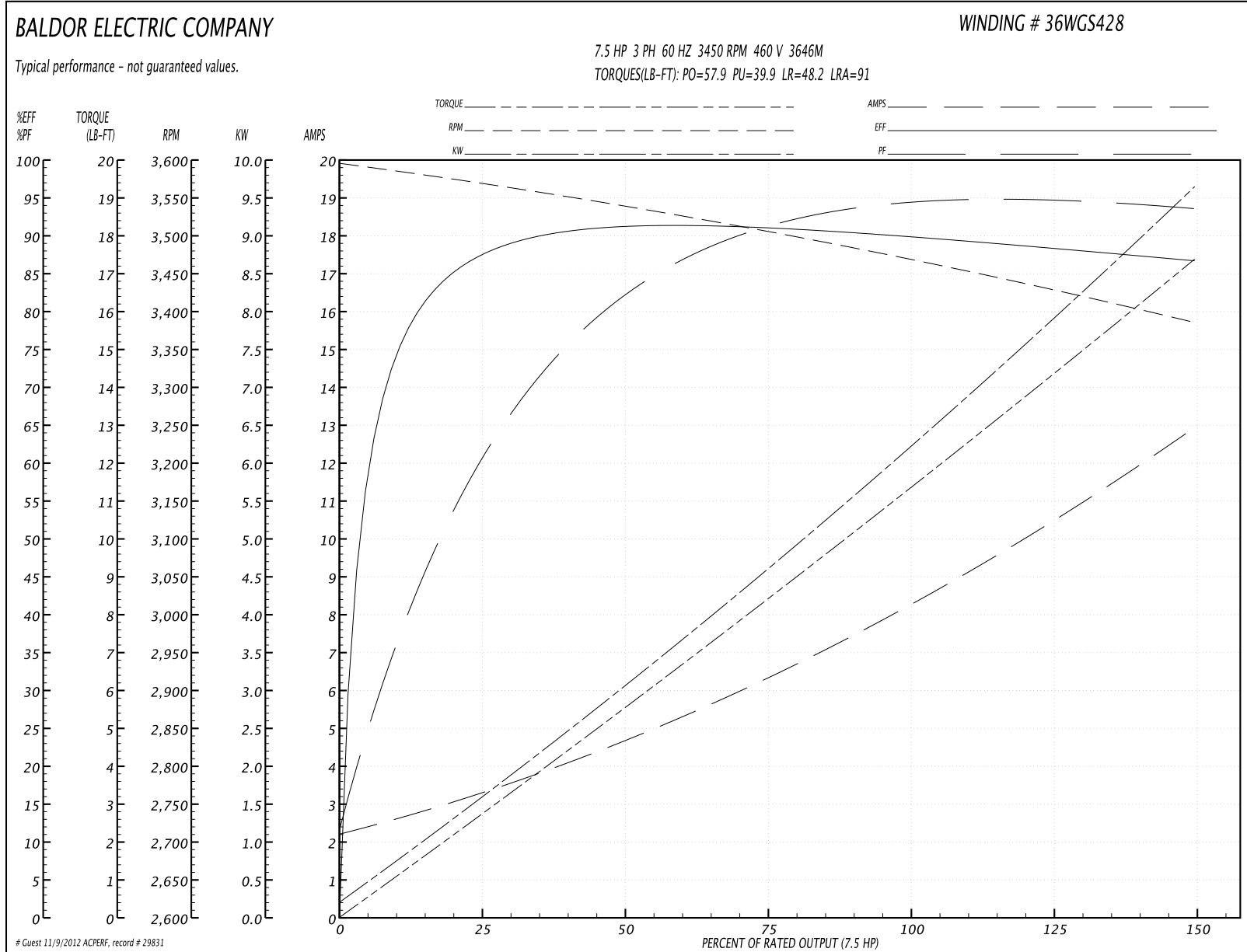
Parts List (continued)		
Part Number	Description	Quantity
51XB1214A16	12-14X1.00 HXWSSLD SERTYB	1.000 EA
LB1115	LABEL,LIFTING DEVICE	1.000 EA
HA3101A28	THRUBOLT 1/4-20 X 12.500 OHIO ROD	4.000 EA
MG1000Y03	WILKO 689.710 GOLD PAINT SUPER E	0.022 GA
LB1357	ENERGY GUIDE LABEL (BOX LABEL)	1.000 SH
LB1125C02	SUPER-E (STOCK CTN LABEL SUPER-E WITH FL	1.000 EA
LC0005E01	CONN.DIA./WARNING LABEL (LC0005/LB1119)	1.000 EA
NP1259L	ALUM SUPER-E UL CSA-EEV CC NEMA PREMIUM	1.000 EA
36PA1001	PACKAGING GROUP	1.000 EA

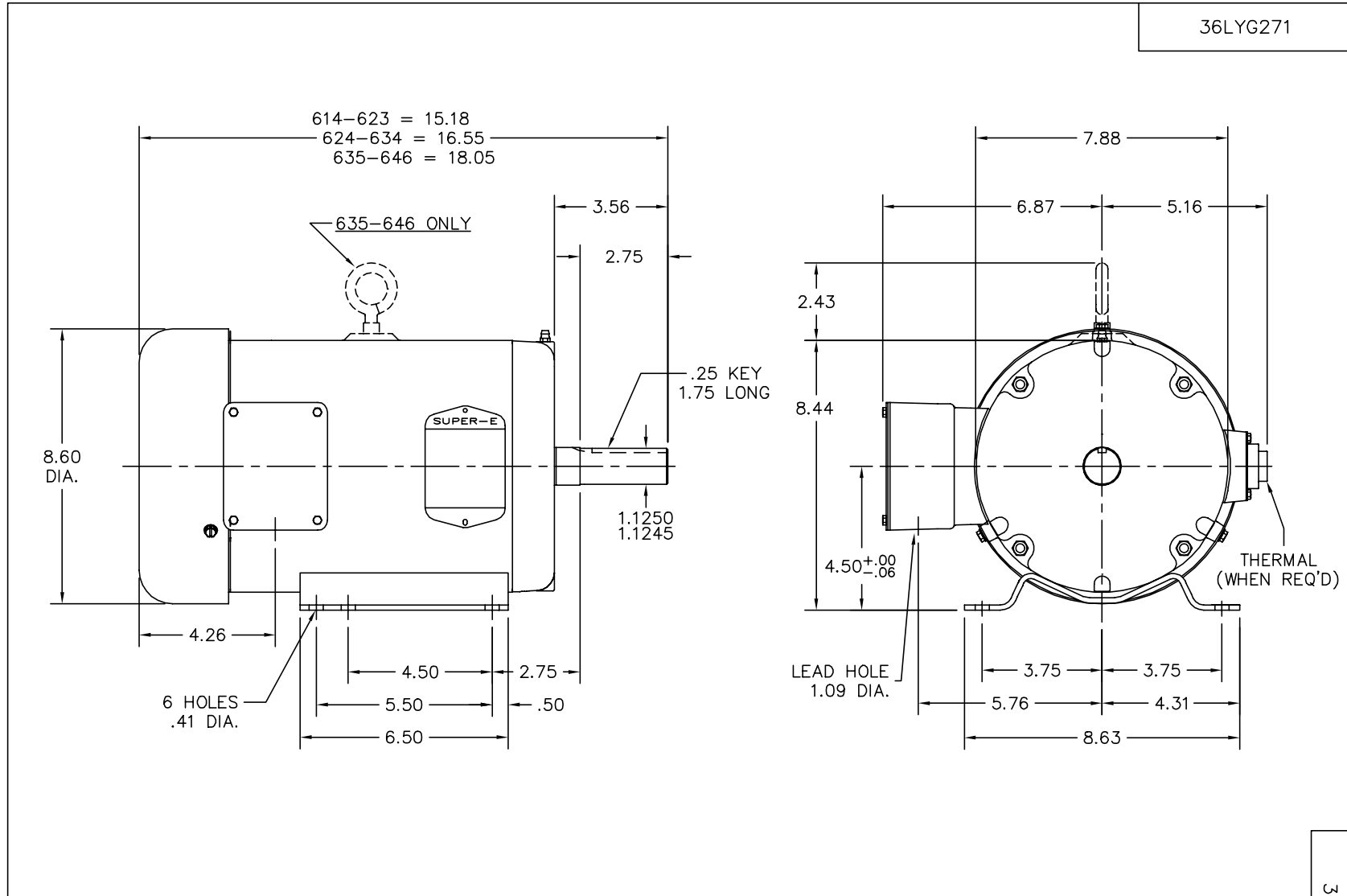
Performance Data at 460V, 60Hz, 7.5HP (Typical performance - Not guaranteed values)

General Characteristics			
Full Load Torque:	11.4 LB-FT	Start Configuration:	DOL
No-Load Current:	2.33 Amps	Break-Down Torque:	57.9 LB-FT
Line-line Res. @ 25°C.:	1.4623 Ohms A Ph / 0.0 Ohms B Ph	Pull-Up Torque:	39.9 LB-FT
Temp. Rise @ Rated Load:	74 C	Locked-Rotor Torque:	48.2 LB-FT
Temp. Rise @ S.F. Load:	93 C	Starting Current:	91.0 Amps

Load Characteristics							
% of Rated Load	25	50	75	100	125	150	S.F.
Power Factor:	64.0	85.0	90.0	93.0	94.0	94.0	94.0
Efficiency:	86.7	90.6	90.7	89.8	88.5	86.6	89.0
Speed:	3570.6	3538.5	3504.6	3468.0	3429.0	3385.1	3445.0
Line Amperes:	3.14	4.59	6.43	8.43	10.5	12.9	9.67

Performance Graph at 460V, 60Hz, 7.5HP Typical performance - Not guaranteed values





CUSTOMER IS RESPONSIBLE FOR DETERMINING THAT MOTOR PERFORMANCE IS SUITABLE IN THE APPLICATION.

REV. DESC: FREEZE LINES SHOWING THROUGH CAPACITOR/KO BOX

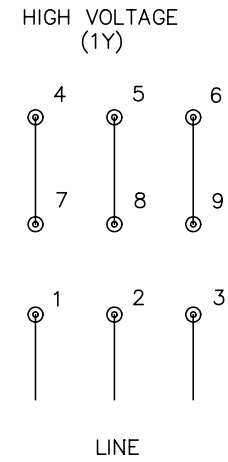
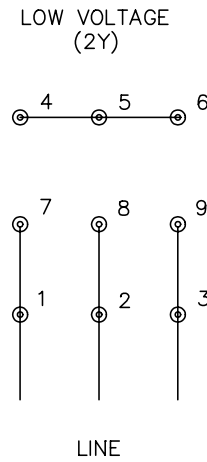
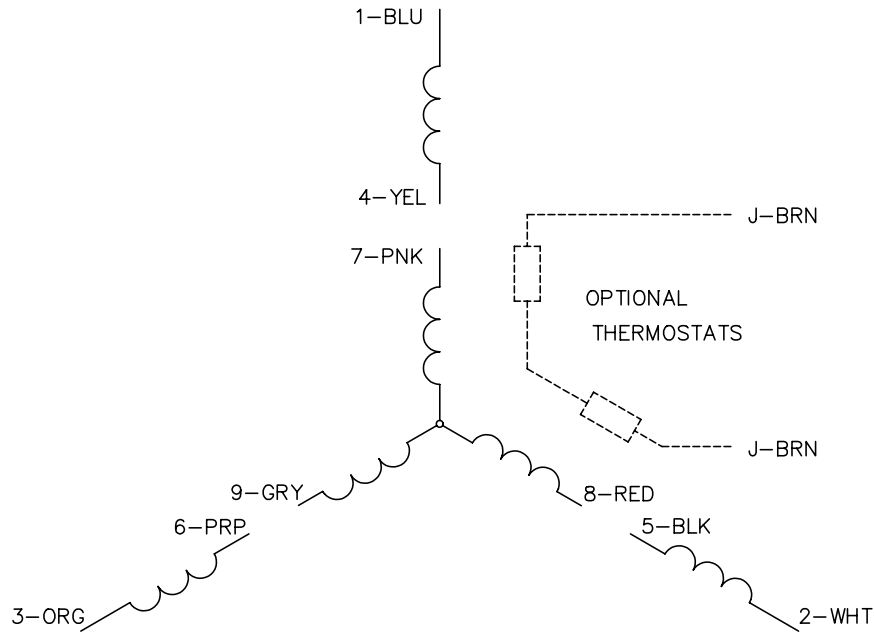
REV. LTR: H	VERSION: 04	TDR: 000000384004
1Z9A79E	FILE: \AAA\00003\771	REVISED: 16:52:27 12/22/2005
	MTL: -	BY: ENCHRCO

BALDOR ELECTRIC Co.

STD HORZ 182-4T TEFC 36M SUPER-E

36LYG271

CD0005



NOTES:

1. INTERCHANGE ANY TWO LINE LEADS TO REVERSE ROTATION.
2. OPTIONAL THERMOSTATS ARE PROVIDED WHEN SPECIFIED.
3. ACTUAL NUMBER OF INTERNAL PARALLEL CIRCUITS MAY BE A MULTIPLE OF THOSE SHOWN ABOVE.
4. LEAD COLORS ARE OPTIONAL. LEADS MUST ALWAYS BE NUMBERED AS SHOWN.

REV. DESC: REVISE TO SHOW OPTIONAL COLORS			
REV. LTR: E	BY: JLP	REVISED: 01/19/99 10:15	TDR: 0171435
90000		FILE: AAA00005140	MDL: -
		MTL: -	

BALDOR ELECTRIC Co.

3PH, DV, 9 LEADS

CD0005