

BALDOR® • RELIANCE

Product Information Packet

EM3665T

5HP, 1750RPM, 3PH, 60HZ, 184T, 0643M, TEFC, F1

Copyright © All product information within this document is subject to Baldor Electric Company copyright © protection, unless otherwise noted.

Part Detail									
Revision:	A	Status:	PRD/A	Change #:		Proprietary:	No		
Type:	AC	Prod. Type:	0641M	Elec. Spec:	06WGX182	CD Diagram:			
Enclosure:	TEFC	Mfg Plant:		Mech. Spec:	06H294	Layout:			
Frame:	184T	Mounting:	F1	Poles:	04	Created Date:	08-04-2010		
Base:	RG	Rotation:	R	Insulation:	F	Eff. Date:	10-04-2011		
Leads:	9#16	Literature:		Elec. Diagram:		Replaced By:			
Nameplate NP1259L									
CAT.NO.	EM3665T								
SPEC.	06H294X182G1								
HP	5								
VOLTS	208-230/460								
AMP	14-13.2/6.6								
RPM	1750								
FRAME	184T	HZ	60	PH	3				
SER.F.	1.15	CODE	J	DES	B	CL	F		
NEMA-NOM-EFF	89.5	PF	79						
RATING	40C AMB-CONT								
CC	010A	USABLE AT 208V	14						
DE	6206	ODE	6205						
ENCL	TEFC	SN							

Parts List		
Part Number	Description	Quantity
SA201046	SA 06H294X182G1	1.000 EA
RA188351	RA 06H294X182G1	1.000 EA
36FN3000C01SP	EXFN, PLASTIC, 5.25 OD, .912 ID	1.000 EA
S/P107-000-001	SUPER E PROC'S-FS & WS PLTS-POLYREX EM G	1.000 EA
HW3201A05	3/8-16 EYEBOLT	1.000 EA
06CB3000	CONDUIT BOX CAST	1.000 EA
06GS1000	GASKET, CONDUIT BOX	1.000 EA
51XW2520A12	.25-20 X .75, TAPTITE II, HEX WSHR SLTD	2.000 EA
11XW1032G06	10-32 X .38, TAPTITE II, HEX WSHR SLTD U	1.000 EA
HW3001B01	003SS CUP WASHER, FOR #8 SCREW	1.000 EA
36EP1101B47	FREP TEFC 205 W/GRSR, FAN CVR, LESS SW B	1.000 EA
HW4500A01	1641B(ALEMITE)400 UNIV, GREASE FITT	1.000 EA
HW5100A05	WVY WSHR F/205 & 304 BRGS	1.000 EA
36EP1100A01	PU ENDPLATE MACH	1.000 EA
HW4500A01	1641B(ALEMITE)400 UNIV, GREASE FITT	1.000 EA
HA3101A34	THRUBOLT- 1/4-20 X 10.375	4.000 EA
XY2520A12	1/4-20 HEX NUT, DIRECTIONAL SERRATIONS	4.000 EA
51XB1214A16	12-14X1.00 HXWSSLD SERTYB	1.000 EA
36FH4009A03SP	IEC FH , W/ AUTOPHERETIC PRIMER	1.000 EA
51XW1032A06	10-32 X .38, TAPTITE II, HEX WSHR SLTD S	3.000 EA
06CB3500	CONDUIT BOX LID - ALUMINUM DIE CAST	1.000 EA
06GS1001	GASKET, CONDUIT BOX LID	1.000 EA
51XW2520A12	.25-20 X .75, TAPTITE II, HEX WSHR SLTD	2.000 EA
HW2501E16	3KEY, 1/4 SQ X 1.750	1.000 EA

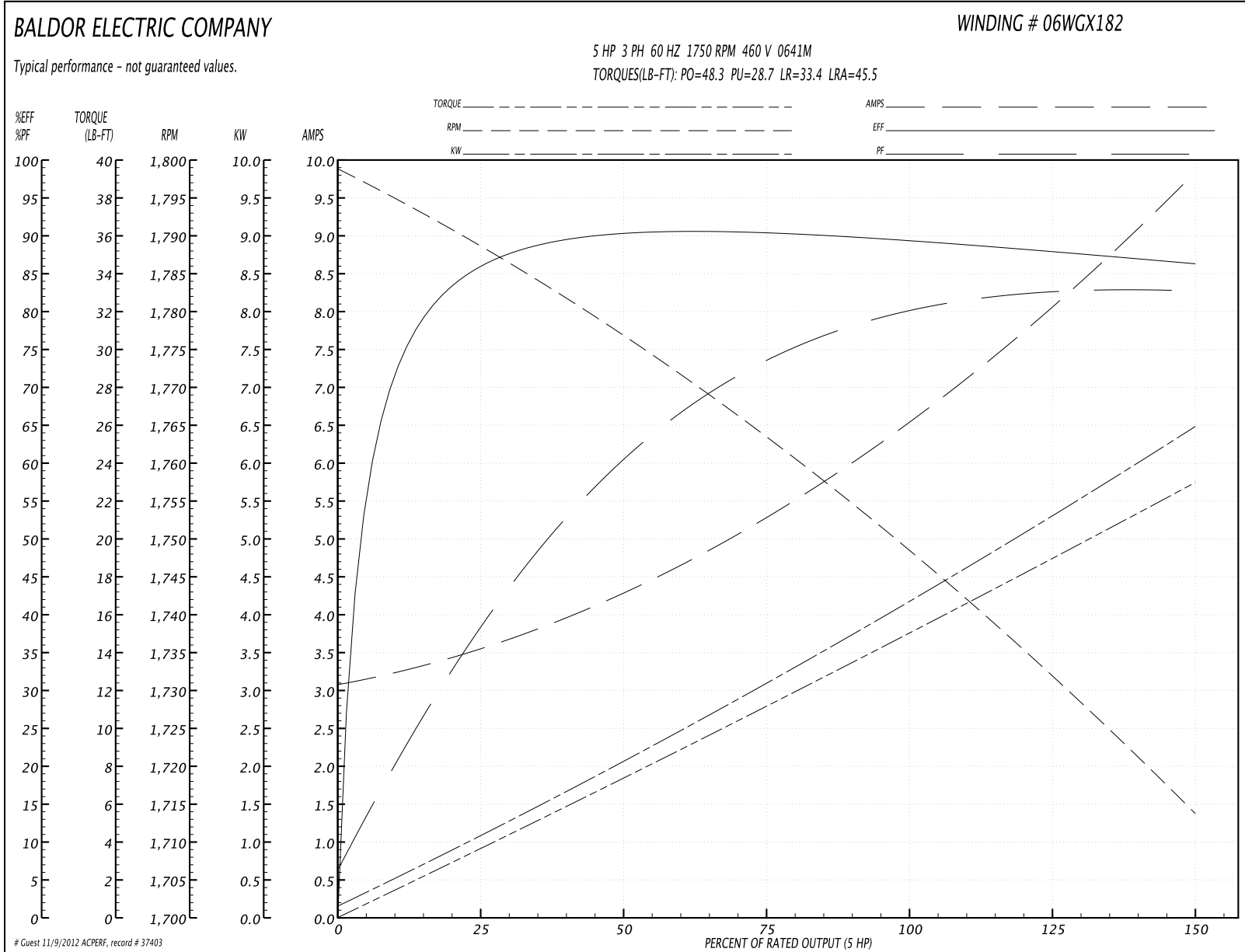
Parts List (continued)		
Part Number	Description	Quantity
HA7000A02	KEY RETAINER RING, 1 1/8 DIA, 1 3/8 DIA	1.000 EA
85XU0407S04	4X1/4 U DRIVE PIN STAINLESS	2.000 EA
LB1115	LABEL,LIFTING DEVICE	1.000 EA
MJ1000A75	GREASE, POLYREX EM EXXON	0.050 LB
MG1000Y03	WILKO 689.710 GOLD PAINT SUPER E	0.028 GA
LB1125C02	SUPER-E (STOCK CTN LABEL SUPER-E WITH FL	1.000 EA
LB1357	ENERGY GUIDE LABEL (BOX LABEL)	1.000 SH
LC0005E01	CONN.DIA./WARNING LABEL (LC0005/LB1119)	1.000 EA
NP1259L	ALUM SUPER-E UL CSA-EEV CC NEMA PREMIUM	1.000 EA
36PA1001	PACKAGING GROUP	1.000 EA

Performance Data at 460V, 60Hz, 5.0HP (Typical performance - Not guaranteed values)

General Characteristics			
Full Load Torque:	15.06 LB-FT	Start Configuration:	DOL
No-Load Current:	3.15 Amps	Break-Down Torque:	48.3 LB-FT
Line-line Res. @ 25°C.:	2.4806 Ohms A Ph / 0.0 Ohms B Ph	Pull-Up Torque:	28.7 LB-FT
Temp. Rise @ Rated Load:	52 C	Locked-Rotor Torque:	33.4 LB-FT
Temp. Rise @ S.F. Load:	65 C	Starting Current:	45.5 Amps

Load Characteristics							
% of Rated Load	25	50	75	100	125	150	S.F.
Power Factor:	41.0	63.0	73.0	79.0	82.0	83.0	81.0
Efficiency:	85.5	89.8	90.3	89.5	88.1	86.3	88.7
Speed:	1787.9	1775.8	1763.0	1748.8	1732.3	1713.2	1739.0
Line Amperes:	3.48	4.26	5.34	6.63	8.11	9.79	7.52

Performance Graph at 460V, 60Hz, 5.0HP Typical performance - Not guaranteed values

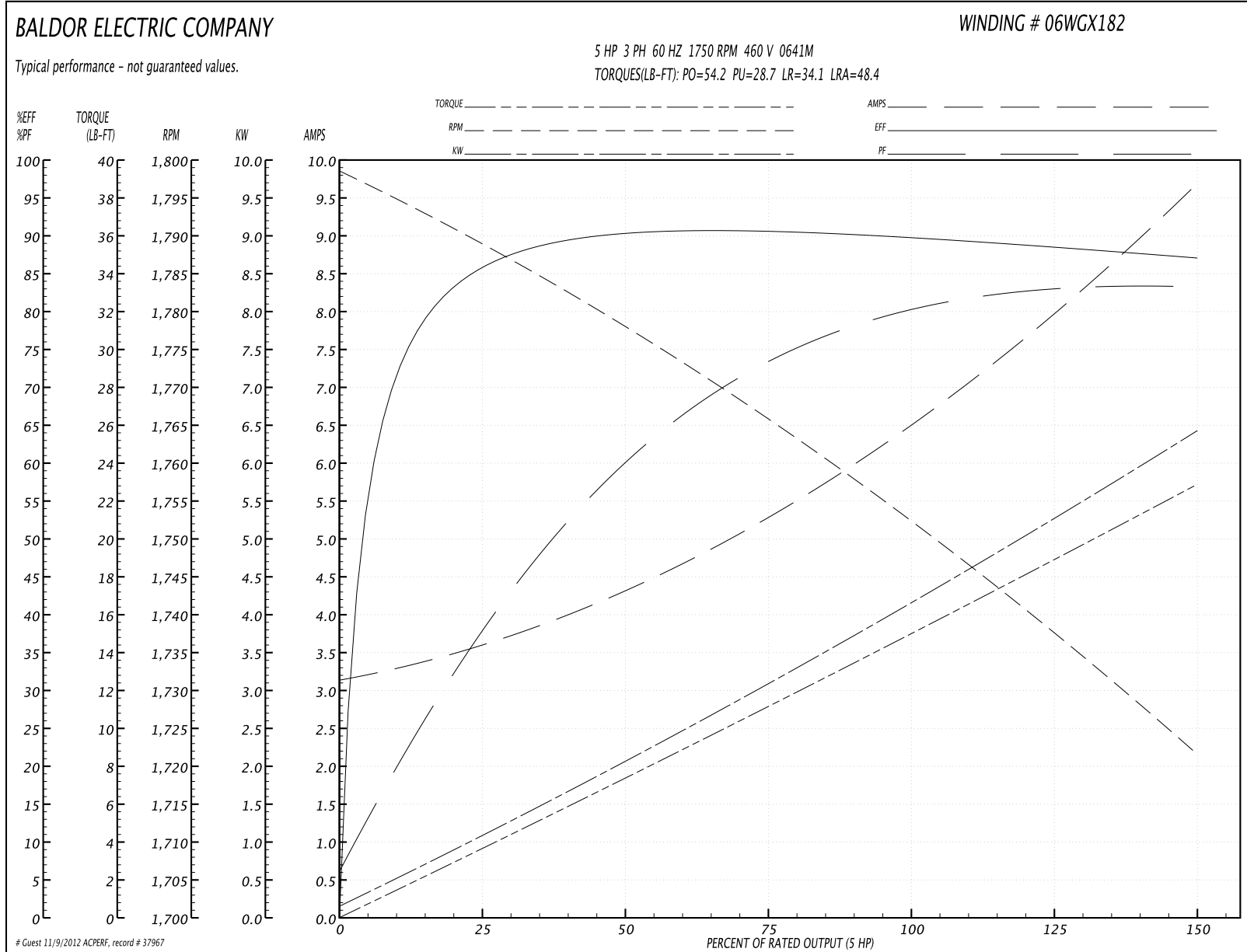


Performance Data at 460V, 60Hz, 5.0HP (Typical performance - Not guaranteed values)

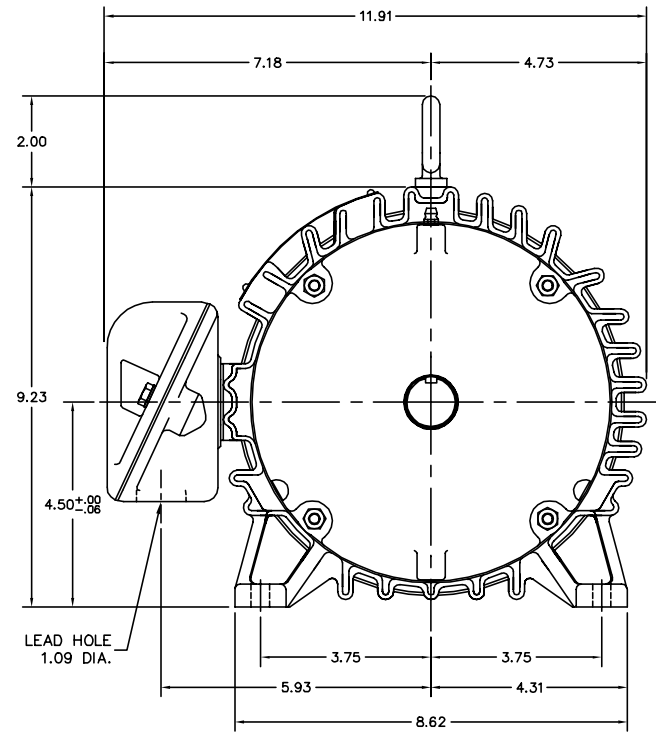
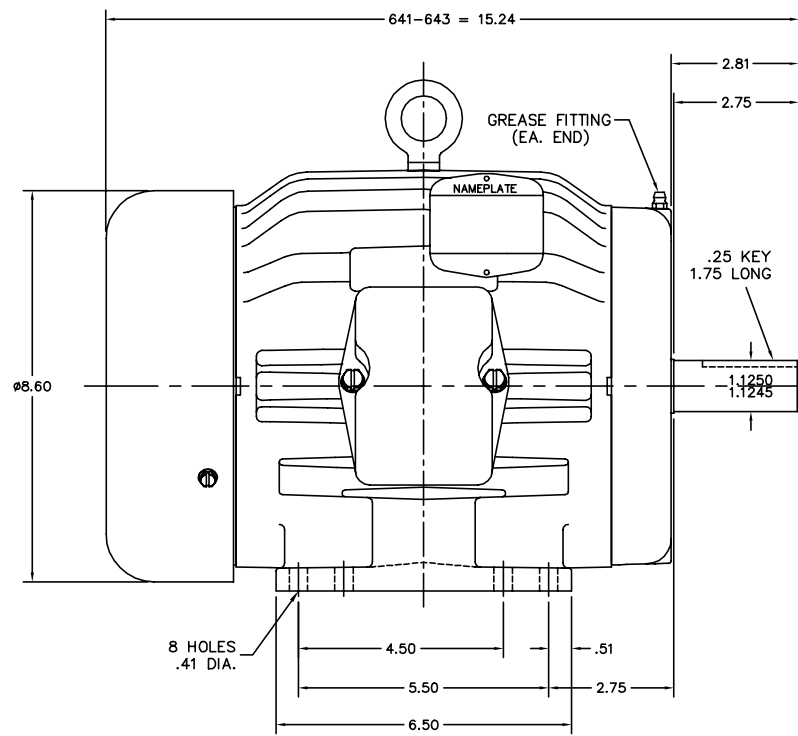
General Characteristics			
Full Load Torque:	15.1 LB-FT	Start Configuration:	DOL
No-Load Current:	3.21 Amps	Break-Down Torque:	54.2 LB-FT
Line-line Res. @ 25°C.:	2.4818 Ohms A Ph / 0.0 Ohms B Ph	Pull-Up Torque:	28.7 LB-FT
Temp. Rise @ Rated Load:	54 C	Locked-Rotor Torque:	34.1 LB-FT
Temp. Rise @ S.F. Load:	67 C	Starting Current:	48.4 Amps

Load Characteristics							
% of Rated Load	25	50	75	100	125	150	S.F.
Power Factor:	40.0	62.0	73.0	79.0	83.0	84.0	81.0
Efficiency:	85.7	90.0	90.5	89.9	88.7	87.0	89.2
Speed:	1788.2	1777.2	1765.0	1752.2	1737.4	1721.1	1743.0
Line Amperes:	3.53	4.29	5.38	6.64	8.04	9.66	7.48

Performance Graph at 460V, 60Hz, 5.0HP Typical performance - Not guaranteed values



06LYH294



CUSTOMER IS RESPONSIBLE FOR DETERMINING THAT MOTOR PERFORMANCE IS SUITABLE IN THE APPLICATION.

REV. DESC: 06SH1300 WAS 06SH1726			
REV. LTR: B	BY: OD	REVISED: 07:27:03 05/28/2003	TDR: 294094
FILE: AAA00077621		REF: 06LYH294	
MTL: -			

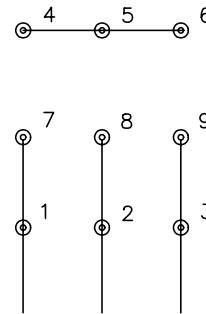
BALDOR ELECTRIC Co.
HOR 182-4T TEFC 306M (641-643 ONLY)

06LYH294

CD0005



LOW VOLTAGE
(2Y)



LINE

HIGH VOLTAGE
(1Y)



LINE

NOTES:

1. INTERCHANGE ANY TWO LINE LEADS TO REVERSE ROTATION.
2. OPTIONAL THERMOSTATS ARE PROVIDED WHEN SPECIFIED.
3. ACTUAL NUMBER OF INTERNAL PARALLEL CIRCUITS MAY BE A MULTIPLE OF THOSE SHOWN ABOVE.
4. LEAD COLORS ARE OPTIONAL. LEADS MUST ALWAYS BE NUMBERED AS SHOWN.

REV. DESC: REVISE TO SHOW OPTIONAL COLORS			
REV. LTR: E	BY: JLP	REVISED: 01/19/99 10:15	TDR: 0171435
90000		FILE: AAA00005140	MDL: -
		MTL: -	

BALDOR ELECTRIC Co.

3PH, DV, 9 LEADS

CD0005