

BALDOR® • **RELIANCE**

Product Information Packet

EM4103T-12

25HP,1770RPM,3PH,60HZ,284T,1046M,TEFC,F1

Copyright © All product information within this document is subject to Baldor Electric Company copyright © protection, unless otherwise noted.

Part Detail							
Revision:	-	Status:	PRD/A	Change #:		Proprietary:	No
Type:	AC	Prod. Type:	1046M	Elec. Spec:	10WGX377	CD Diagram:	
Enclosure:	TEFC	Mfg Plant:		Mech. Spec:	10L62	Layout:	
Frame:	284T	Mounting:	F1	Poles:	04	Created Date:	08-03-2010
Base:	RG	Rotation:	R	Insulation:	F	Eff. Date:	08-05-2010
Leads:	12#12	Literature:		Elec. Diagram:		Replaced By:	

Nameplate NP2183L

CAT.NO.	EM4103T-12	P/N		ENCLOSURE	TEFC		
SPEC.	10L062X377	CC	010A	FRAME	284T	S/N	
HP	25	CLASS	F	HZ	60		
RPM	1770	PH	3	DES	B		
VOLT	230/460	KVA-CODE	G	ODE BRG	6309	DE BRG	6311
AMP	60/30	USABLE AT 208V	63.3				
RATING	40C AMB-CONT	GREASE	POLYREX EM				
NEMA-NOM-EFF	93.6	PF	84	SER.F.	1.15		
HTR-VOLTS		HTR-AMPS		MAX. SPACE HEATER TEMP.			

Parts List		
Part Number	Description	Quantity
SA200839	SA 10L062X377	1.000 EA
RA188150	RA 10L062X377	1.000 EA
09FN3001C02	EXTERNAL FAN, PLASTIC	1.000 EA
S/P107-000-004	SUPER-E(284 FR. & UP)-CL PLANT,POLYREX E	1.000 EA
10CB3000SP	STD KO BOX MODEL 310,312,314 MTRS W/2.00	1.000 EA
12GS1000SP	GASKET	1.000 EA
10XN3118K12	5/16-18 X .75 GRADE 5, ZINC PLATED	4.000 EA
HW1001A31	LOCKWASHER 5/16, ZINC PLT.591 OD, .319 I	4.000 EA
WD1000B16	KPA-4C BURNDY TERMINAL	1.000 EA
51XF2520A08	SCREW, HEX SER SLT HD, ZN 1/4-20 X .50 L	1.000 EA
10EP1104A01	FR ENDPLATE, MACH	1.000 EA
10XN3816K28	3/8-16 X 1.75 HEX HD CAP SCREW, GRADE 5	4.000 EA
HW1001A38	LOCKWASHER 3/8, ZINC PLT .688 OD, .382 I	4.000 EA
HW5100A11	W3917-042 WVY WSHR (WB)	1.000 EA
10EP1105A01	PU ENDPLATE, MACH 284-6T	1.000 EA
10XN2520K32	1/4-20 X 2.00 HX HD SCRW GRADE 5, ZINC P	2.000 EA
HW1001A25	LOCKWASHER 1/4, ZINC PLT .493 OD, .255 I	2.000 EA
10XN3118K40	5/16-18 X 2.50" HEX HD, GRADE 5	4.000 EA
HW1001A31	LOCKWASHER 5/16, ZINC PLT.591 OD, .319 I	4.000 EA
10XN3816K28	3/8-16 X 1.75 HEX HD CAP SCREW, GRADE 5	4.000 EA
HW1001A38	LOCKWASHER 3/8, ZINC PLT .688 OD, .382 I	4.000 EA
10FH1007	FAN COVER, CAST QF	1.000 EA
10XN3118K20	5/16-18 X 1 1/4 GRADE 5 STEEL ZC PLATED	3.000 EA
HW1001A31	LOCKWASHER 5/16, ZINC PLT.591 OD, .319 I	3.000 EA

Parts List (continued)		
Part Number	Description	Quantity
HA1005A04SP	SLINGER, OD 3.620, ID 1.98,	1.000 EA
10CB3500SP	CONDUIT BOX LID, CAST	1.000 EA
10GS1000SP	GASKET, CONDUIT BOX LID	1.000 EA
51XW2520A12	.25-20 X .75, TAPTITE II, HEX WSHR SLTD	4.000 EA
HW2501H28	KEY, 1/2 SQ X 3.250	1.000 EA
LB1115	LABEL,LIFTING DEVICE	1.000 EA
LB5040	INSTRUCTION TAG, AC & DC	1.000 EA
HW4500A21	1618BALEMITE FITTING 825 UNIVERSAL	1.000 EA
HA4017A11	1/8 X 2.75 GREASE EXT (F/S)	1.000 EA
HW4500A17	317400 ALEMITE GREASE RELIEF	1.000 EA
HA4001A01SP	DRAIN PLUG, PLASTIC (MICRO PLAS)	1.000 EA
HA4051A00	PLASTIC CAP FOR GREASE FITTING	1.000 EA
MJ1000A75	GREASE, POLYREX EM EXXON	0.130 LB
HW4500A03	GREASE FITTING, .125 NPT 1610(ALEMITE) 8	1.000 EA
HW4500A17	317400 ALEMITE GREASE RELIEF	1.000 EA
HA4001A01SP	DRAIN PLUG, PLASTIC (MICRO PLAS)	1.000 EA
HA4051A00	PLASTIC CAP FOR GREASE FITTING	1.000 EA
HW2500A25	WOODRUFF KEY USA #1008 #BLOW CARBON STEE	1.000 EA
51XB1214A20	12-14X1.25 HXWSSLD SERTYB	1.000 EA
MG1000Y03	WILKO 689.710 GOLD PAINT SUPER E	0.070 GA
85XU0407A04	#4-7 X 1/4 DRIVE PIN	4.000 EA
LB1119	WARNING LABEL	1.000 EA
LB1125C02	SUPER-E (STOCK CTN LABEL SUPER-E WITH FL	4.000 EA
LB1357	ENERGY GUIDE LABEL (BOX LABEL)	1.000 SH

Parts List (continued)		
Part Number	Description	Quantity
LC0104A01	CONNECTION DIAGRAM	1.000 EA
NP2183L	SS SUPER-E UL CSA-EEV PREM CC (300	1.000 EA
10PA1000	PACKAGING GROUP COMBINED PRINT PK1023A06	1.000 EA

Performance Data at 460V, 60Hz, 25.0HP (Typical performance - Not guaranteed values)

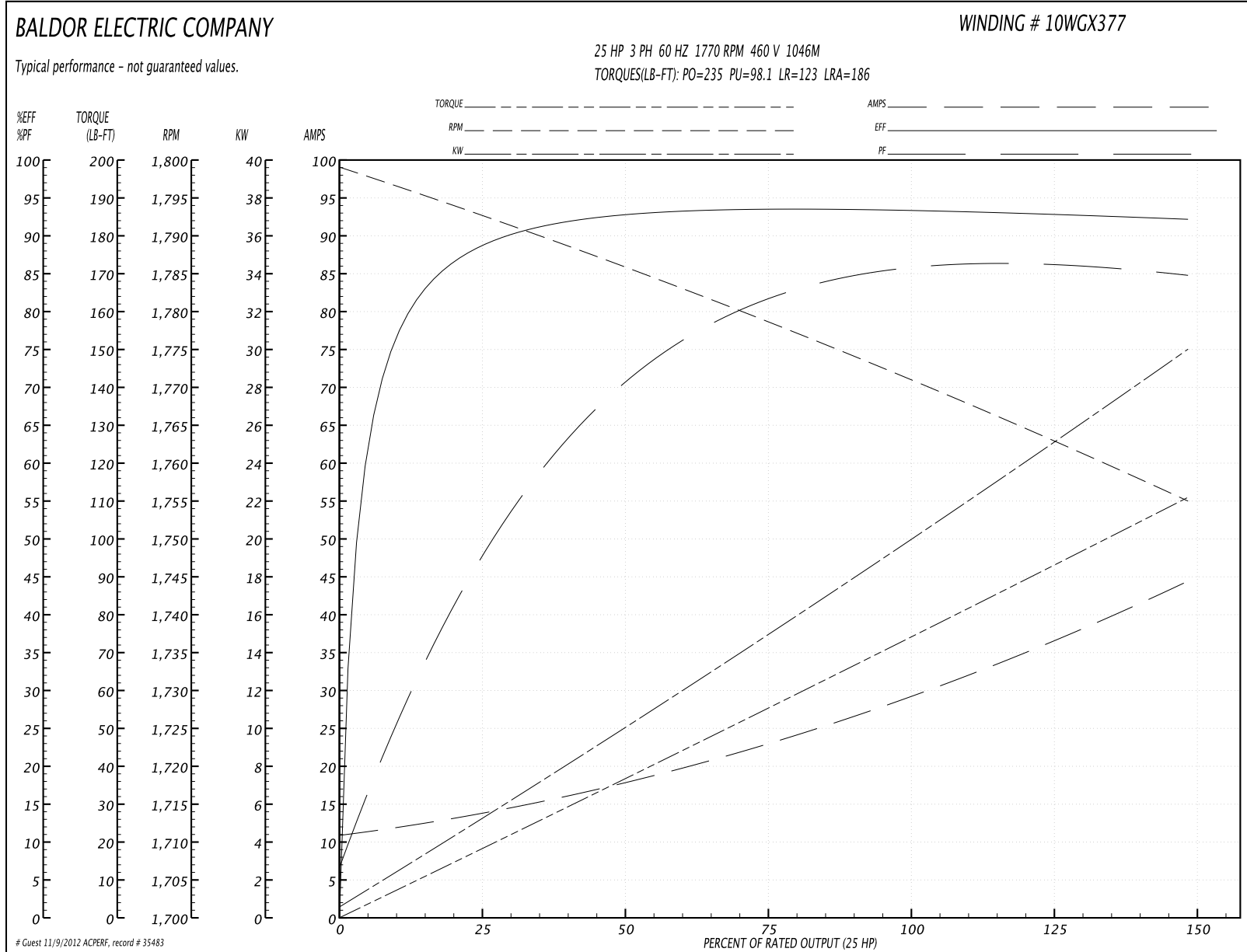
General Characteristics

Full Load Torque:	74.2 LB-FT	Start Configuration:	DOL
No-Load Current:	11.3 Amps	Break-Down Torque:	235.0 LB-FT
Line-line Res. @ 25°C.:	0.307 Ohms A Ph / 0.0 Ohms B Ph	Pull-Up Torque:	98.1 LB-FT
Temp. Rise @ Rated Load:	52 C	Locked-Rotor Torque:	123.0 LB-FT
Temp. Rise @ S.F. Load:	63 C	Starting Current:	186.0 Amps

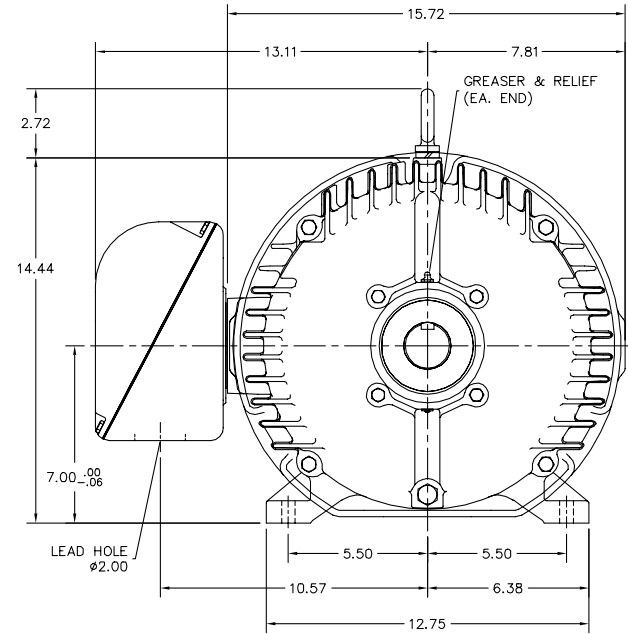
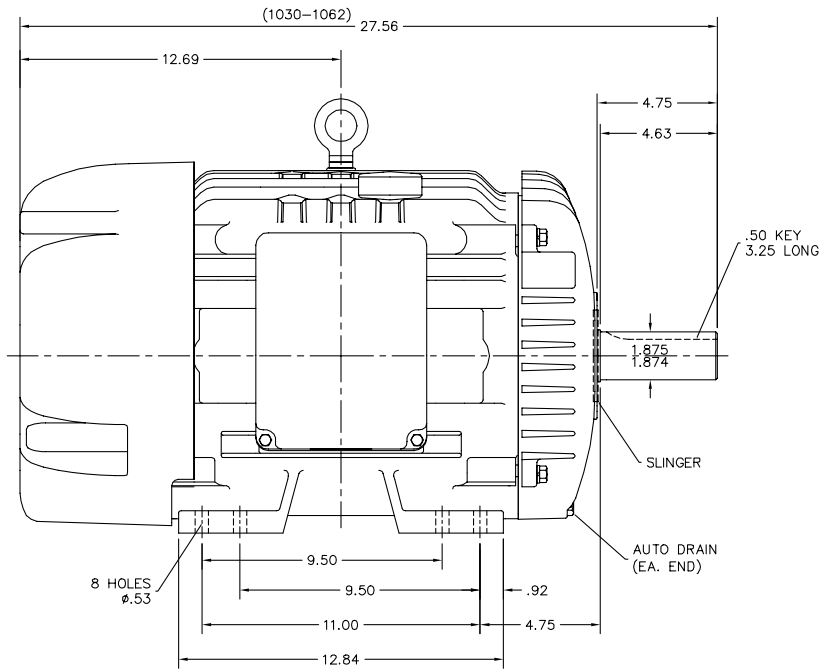
Load Characteristics

% of Rated Load	25	50	75	100	125	150	S.F.
Power Factor:	50.0	73.0	81.0	85.0	86.0	85.0	86.0
Efficiency:	88.7	92.3	93.5	93.6	93.1	92.0	93.3
Speed:	1793.0	1785.0	1779.0	1771.0	1763.0	1755.0	1766.0
Line Amperes:	13.3	17.6	23.3	29.6	36.5	44.2	33.7

Performance Graph at 460V, 60Hz, 25.0HP Typical performance - Not guaranteed values



10LYL062



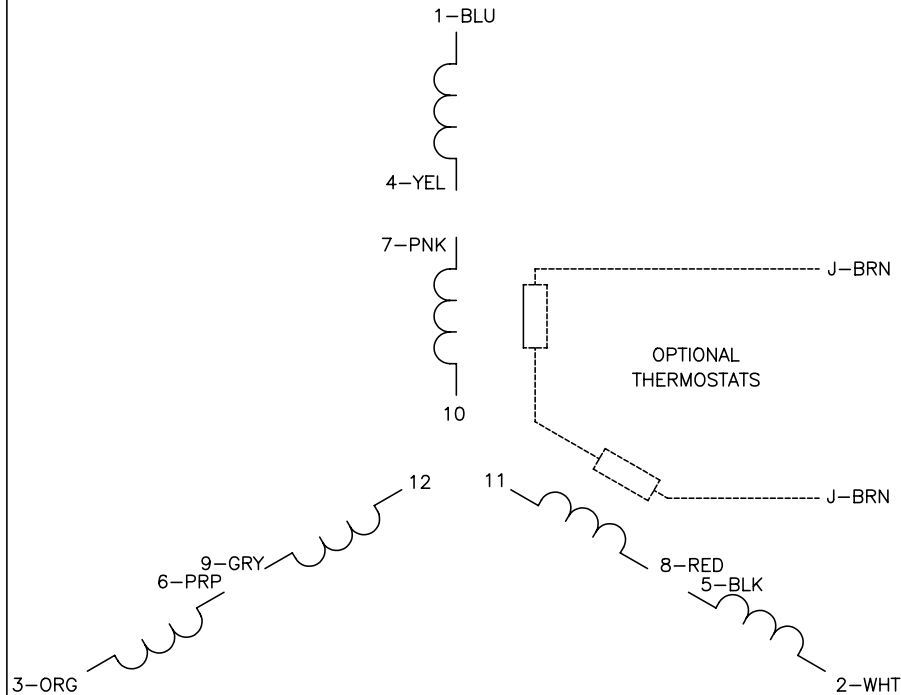
10LYL062

CUSTOMER IS RESPONSIBLE FOR DETERMINING THAT BALDOR'S PRODUCT WILL PERFORM SUITABLY IN THE INTENDED APPLICATION.

REV. DESC: UPDATE DESC TO STD		
REV. LTR: G	VERSION: 03	TDR: 000000766587
FILE: \AAA\00008\906	REVISED: 10:21:31 09/26/2012	BY: ENLAUHO
MTL: -		

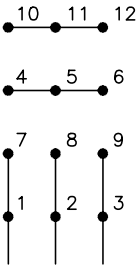
BALDOR
 HORZ TEFC 284-6T, HI-EFF
 SH 1 of 1

CD0104



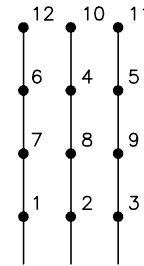
LOW VOLTAGE

START (2Y)



LINE

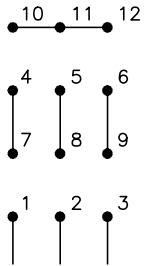
RUN (2D)



LINE

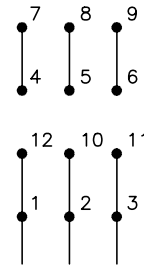
HIGH VOLTAGE

START (1Y)



LINE

RUN (1D)



LINE

NOTES:

1. INTERCHANGE ANY TWO LINE LEADS TO REVERSE ROTATION.
2. OPTIONAL THERMOSTATS ARE PROVIDED WHEN SPECIFIED.
3. ACTUAL NUMBER OF INTERNAL PARALLEL CIRCUITS MAY BE A MULTIPLE OF THOSE SHOWN ABOVE.
4. LEAD COLORS ARE OPTIONAL. LEADS MUST ALWAYS BE NUMBERED AS SHOWN.

REV. DESC: REVISE TO SHOW OPTIONAL COLORS			
REV. LTR: C	BY: JLP	REVISED: 01/19/99 4:24	TDR: 0171435
CD0104		FILE: AAA00008377	MDL: -
		MTL: -	

BALDOR ELECTRIC Co.

3PH, DV, 12 LEADS, Y START/D RUN

CD0104