

BALDOR® • *RELIANCE*

Product Information Packet

EM4314TS

60HP, 1775RPM, 3PH, 60HZ, 364TS

Copyright © All product information within this document is subject to Baldor Electric Company copyright © protection, unless otherwise noted.

Part Detail							
Revision:	F	Status:	PRD/A	Change #:		Proprietary:	No
Type:	AC	Prod. Type:	A36062M	Elec. Spec:	A36WG0651	CD Diagram:	
Enclosure:	TEFC	Mfg Plant:		Mech. Spec:		Layout:	
Frame:	364TS	Mounting:	F1	Poles:	04	Created Date:	11-18-2010
Base:		Rotation:	R	Insulation:	F	Eff. Date:	06-20-2012
Leads:	3#4,6#6	Literature:		Elec. Diagram:		Replaced By:	

Nameplate NP2383L							
CAT.NO.	EM4314TS	SPEC NO.	P36G3431				
HP	60	AMPS	136/68	VOLTS	230/460	DESIGN	B
FRAME	364TS	RPM	1780	HZ	60	AMB	40 SF 1.15
DRIVE END BEARING	65BC03J30X	PHASE	3	DUTY	CONT	INSUL.CLASS	F
OPP D.E. BEARING	65BC03J30X	TYPE	P	ENCL	TEFC	CODE	G
SER.NO.		POWER FACTOR	87	NEMA-NOM-EFFICIENCY	95		
		MAX CORR KVAR	10.0	GUARANTEED EFFICIENCY	94.5		
NEMA NOM/CSA QUOTED EFF							
	SUIT FOR 208V AT 149 AMPS	MOTOR WEIGHT					

Parts List		
Part Number	Description	Quantity
SA211815	SA P36G3431	1.000 EA
RA199044	RA P36G3431	1.000 EA
613-6PU	N/P (RELEASE QTY 10,000)	1.000 EA
000692000VD	N/P (REL QTY 4000)	1.000 EA
NP2383L	SUPER-E ,SS, CC, CSA-C US, CSA EEV	1.000 EA
LB1346	LABEL,SUPER-E GP(4X4)	1.000 EA
MG1000Y03	WILKO 689.710 GOLD PAINT SUPER E	0.250 GA
004824015A	GREASE POLYREX EM	1.000 LB
032018005AK	HHCS 1/4-20X5/8 PLATED	4.000 EA
032018008AK	HHCS 1/4-20X1 PLATED	4.000 EA
032018008CK	HHCS 3/8-16X1L PLATED	4.000 EA
032018012DK	HHCS 1/2-13X1-1/2 PLTD.	4.000 EA
032018012DK	HHCS 1/2-13X1-1/2 PLTD.	4.000 EA
032018024CK	HHCS 3/8-16X3 PLTD.	3.000 EA
032018024CK	HHCS 3/8-16X3 PLTD.	3.000 EA
033512004LB	HHTTS 1/4-20X1/2 PLTD.	1.000 EA
033775004EA	DRSCR #6-1/4 304 S.S.	2.000 EA
034180012DA	KEY 1X4X1/4X1-1/2 L	1.000 EA
034180016GA	KEY 1/2X1/2X2 L	1.000 EA
034530052AB	P/NIP 1/8X6-1/2 GALV.	1.000 EA
034600001AA	BUSH 1/4TO1/8 BLACK	1.000 EA
034600001AA	BUSH 1/4TO1/8 BLACK	1.000 EA
034690001AB	SQHDPLG, COND	1.000 EA
034690001AB	SQHDPLG, COND	1.000 EA

Parts List (continued)		
Part Number	Description	Quantity
035000001A	ALFTG 1/8" 1610-BL	1.000 EA
035000001G	GITS GRS CUP,ODE	1.000 EA
035000001G	GITS GRS CUP,ODE	1.000 EA
035000001A	ALFTG 1/8" 1610-BL	1.000 EA
043292000AJ	GASK 320-400	1.000 EA
077176000L	C/BOX, PAINTED 360-400	1.000 EA
077176001A	CBOXC, PAINTED 360-400	1.000 EA
078548001K	FAN KB 100/30 (70) 360	1.000 EA
078559001A	+FANCV - 360	1.000 EA
085922073A	BRKT 360 085922072WCC KB	1.000 EA
085922073B	BRKT 360 085922072WCC KB	1.000 EA
402731001A	GASK 360-440	1.000 EA
406099000A	PLUG - FAN COVER 320-440	1.000 EA
410700004F	WSHR	1.000 EA
415000003D	T/LUG 897-777 KPA25/G16	1.000 EA
415072001B	CLAMP	1.000 EA
415096002A	CPLG 1/8 HEX TYPE	1.000 EA
418150003A	GREASE FITTING CAP	1.000 EA
421948032	LABEL, MYLAR	1.000 EA
14PA1000	PACKAGING 314 GROUP COMBINED PRINT	1.000 EA
418150003A	GREASE FITTING CAP	1.000 EA

Accessories		
Part Number	Description	Multiplier
K36G2	C-FACE KIT	A8
085922068B	D-FLANGE BRKT 360 085922067WCA	P1

REL. S.O.	FRAME	HP	TYPE	PHASE/HERTZ	RPM	VOLTS
	364TS	60	P	3/60	1780	230/460
AMPS	DUTY	AMB °C/ INSUL.	S.F.	NEMA DESIGN	CODE LETTER	ENCL.
136/68	CONT	40/F	1.15	B	G	TEFC
E/S	ROTOR	TEST S.O.	TEST DATE	STATOR RES. @25 °C (BETWEEN LINES)		
492281	418141035YE	---	---	.0277/.110		

PERFORMANCE

LOAD	HP	AMPERES	RPM	POWER FACTOR %	EFFICIENCY %
NO LOAD	0	20.1	1800	4.67	0
1/4	15.0	25.8	1795	58.6	93.0
2/4	30.0	37.5	1791	78.7	95.2
3/4	45.0	51.9	1786	85.0	95.3
4/4	60.0	68.0	1781	87.0	95.0
5/4	75.0	85.1	1775	87.5	94.3

SPEED TORQUE

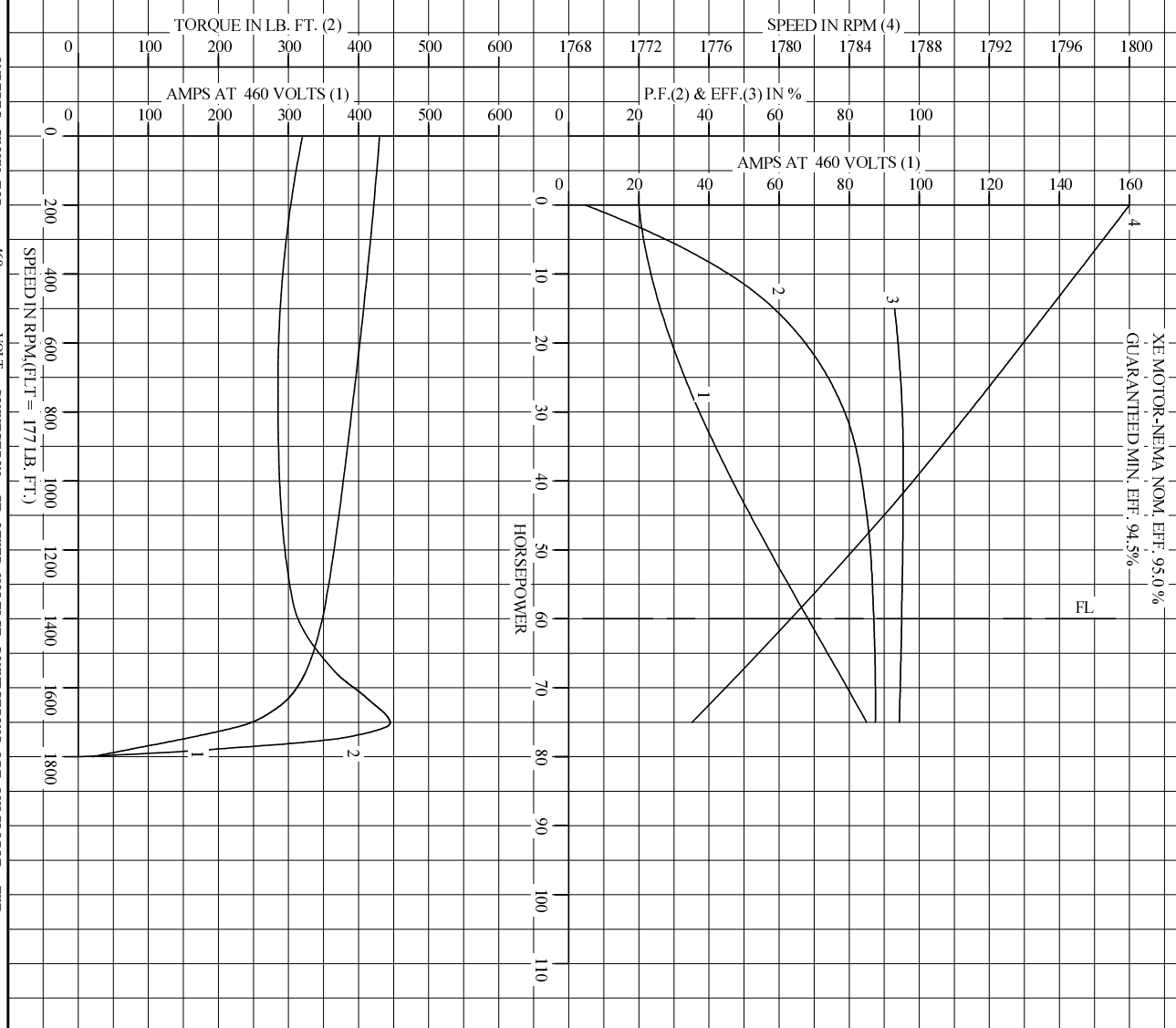
	RPM	TORQUE % FULL LOAD	TORQUE LB.-FT.	AMPERES
LOCKED ROTOR	0	181	320	430
PULL UP	720	161	285	395
BREAKDOWN	1703	251	445	244
FULL LOAD	1781	100	177	68.0

AMPERES SHOWN FOR 460. VOLT CONNECTION. IF OTHER VOLTAGE CONNECTIONS ARE AVAILABLE, THE AMPERES WILL VARY INVERSELY WITH THE RATED VOLTAGE

REMARKS: TYPICAL DATA
XE MOTOR-NEMA NOM. EFF. 95.0 %
GUARANTEED MIN. EFF. 94.5%

BALDOR	DR. BY	D. M. BYRD	A-C MOTOR
	CK. BY	J. P. TSAO	
	APP. BY	J. P. TSAO	PERFORMANCE DATA
	DATE	10/10/91	ISSUE DATE 12/15/10

REL. S.O. _____ RPM 1780 S.F. 1.15 ROTOR 418141035YE
 FRAME 364TS VOLTS 230/460 NEMA DESIGN B TEST S.O. TYPICAL DATA
 HP 60 AMPS 136/68 DUTY CONT ENCLOSURE TEFPC TEST DATE ---
 TYPE P AMB °C/INSUL 40/F E/S 492281 STATOR RES. @ 25 °C .0277/.110
 PHASE/HERTZ 3/60 OHMS (BETWEEN LINES)



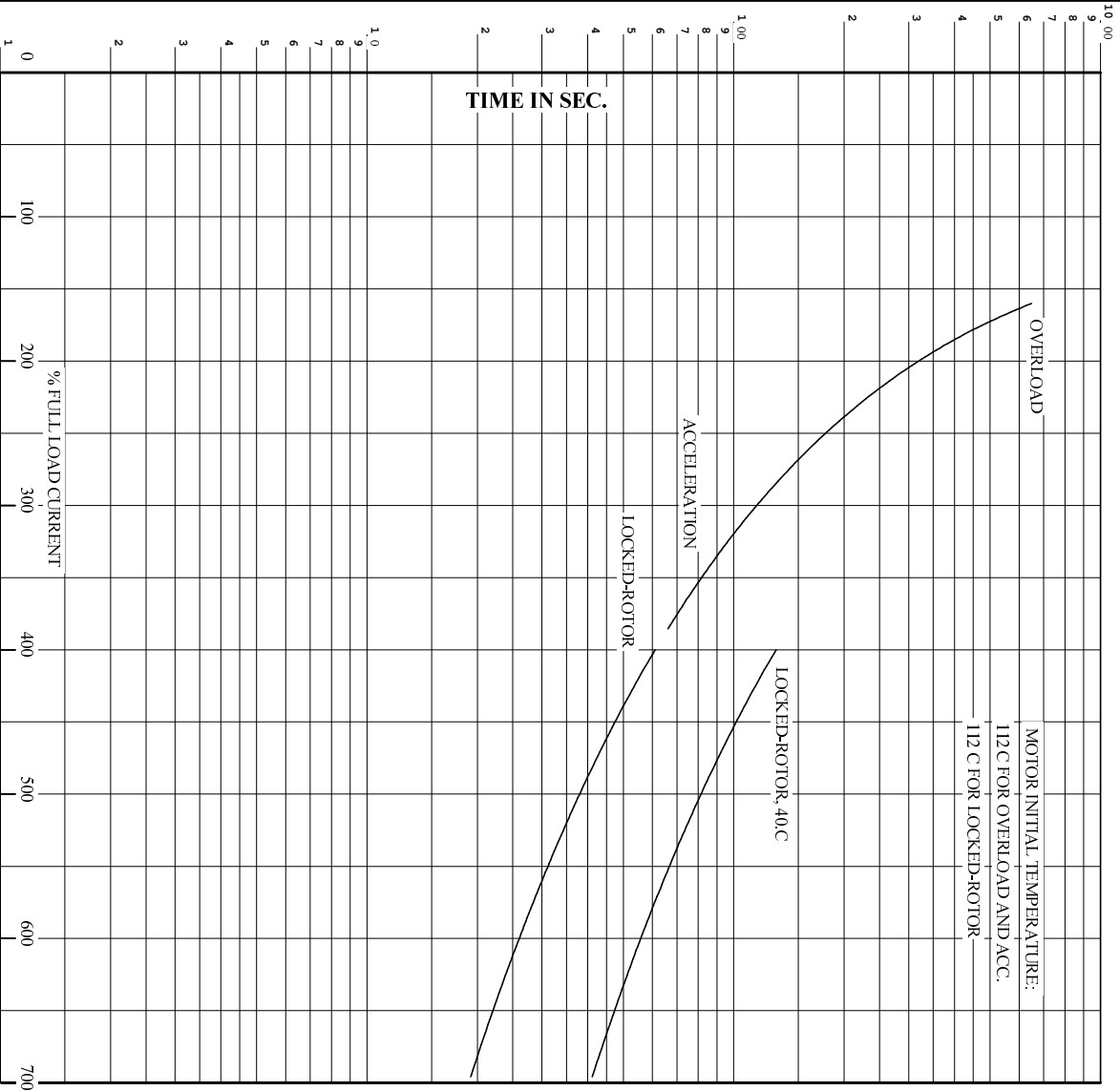
AMPERES SHOWN FOR 460 VOLT CONNECTION, IF OTHER VOLTAGE CONNECTIONS ARE AVAILABLE, THE AMPERES WILL VARY INVERSELY WITH THE RATED VOLTAGE.

BALDOR DR. BY D.M.BYRD
 CK. BY J.P.TSAO
 APP. BY J.P.TSAO
 DATE 10/09/10

A-C MOTOR PERFORMANCE CURVES A36WG0651-R002
 ISSUE DATE 12/15/10

Printed on 12/15/10 8:26 @ psecs-motoreng

RET. S.O. RPM 1780 S.F. 1.15 ROTOR 418141035YE
 FRAME 364TS VOLTS 230/460 NEMA DESIGN B TEST S.O. TYPICAL DATA
 HP 60 AMPS 136/58 CODE LETTER G TEST DATE ---
 TYPE P DUTY CONT ENCLOSURE TEFC STATOR RES. @ 25 C. .0277/.110
 PHASE/HERTZ 3/60 AMB C/INSUL 40/F E/S 492281 OHMS (BETWEEN LINES)



THERMAL LIMIT CURVE
 REMARKS: XE MOTOR-NEMA NOM. EFF. 95.0%
 GUARANTEED MIN. EFF. 94.5%

AMPERES SHOWN FOR 460 VOLT CONNECTION, IF OTHER VOLTAGE CONNECTIONS ARE AVAILABLE, THE AMPERES WILL VARY INVERSELY WITH THE RATED VOLTAGE.

DR. BY	D.M.BVBD
CK. BY	J.P.TSAD
APP. BY	J.P.TSAD
DATE	10/10/91

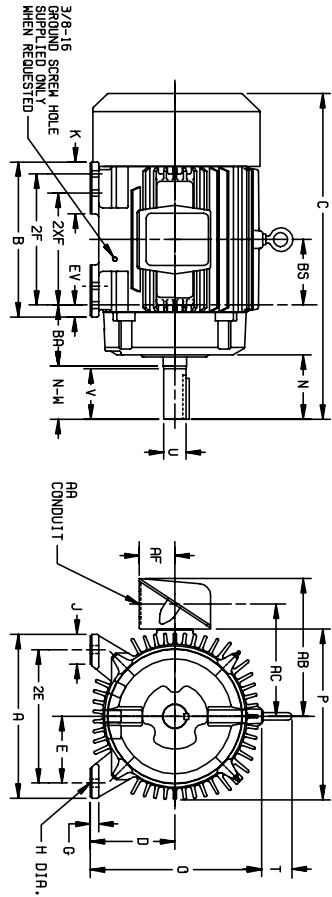
A-C MOTOR PERFORMANCE CURVES
A36WG0651-R002
 ISSUE DATE 12/15/10

Printed on 12/15/10 8:26 @ psecs-motorer

611740-001-SH2

DUTY MASTER ALTERNATING CURRENT MOTORS
SQUIRREL-CAGE INDUCTION

ENCLOSURE: TOTALLY ENCLOSED
MOUNTING: FOOT
FRAMES 250T THRU 440T
COOLING: FAN COOLED



DIMENSIONS ARE IN MILLIMETERS. SEE SHEET 1 FOR DIMENSIONS IN INCHES.

FRAME	A	D/2	E	G	H	J	K	O	P	T	AA(T)	AB	AC	AF	BA	EV
254T-261T	317.5	158.8	127.0	19.0	14.2	63.5	---	336.5	336.5	62.0	-1/4	273.0	222.3	63.5	108.0	25.4
264T-286TS	349.2	177.8	139.7	19.0	14.2	63.5	---	374.6	376.0	62.0	-1/2	323.8	254.0	81.0	120.7	25.4
324T-326TS	393.7	203.2	158.8	22.4	17.5	69.9	114.3	423.9	431.8	62.0	2	385.8	290.6	108.0	133.3	35.1
364T-365TS	431.8	228.6	177.8	22.4	17.5	69.9	98.6	469.9	492.3	74.7	3	456.7	359.6	136.7	149.4	35.1
404T-405TS	482.6	254.0	203.2	28.4	20.6	82.5	117.3	541.3	571.5	74.7	3	490.5	387.3	136.7	168.1	28.7
444T-445TS	533.4	279.4	228.6	28.4	20.6	82.5	133.3	593.9	641.3	82.5	3	593.9	460.2	165.1	190.5	31.7

FRAME SIZE	C	BS	B	ZF	ZF (4)	N	SHAFT AND KEY				WGTH (KGS. (5))	
							N-(W(6))	U(3)	V	SG		LGTH
254T	623.8	127.0	304.8	---	209.6	104.6	41.27	95.3	9.52	73.2	138	
264T	623.8	127.0	304.8	254.0	---	104.6	101.6	41.27	95.3	9.52	73.2	142
284T	697.0	139.7	330.2	---	241.3	127.0	117.3	47.63	11.3	12.70	82.5	197
284TS	661.9	139.7	330.2	---	241.3	91.9	82.5	41.27	76.2	9.52	47.8	197
286T	697.0	139.7	330.2	279.4	---	127.0	117.3	47.63	11.3	12.70	82.5	204
286TS	661.9	139.7	330.2	279.4	---	91.9	82.5	41.27	76.2	9.52	47.8	204
324T	773.2	152.4	374.6	---	266.7	142.7	133.3	53.97	12.70	12.70	98.6	244
324TS	735.1	152.4	374.6	---	266.7	104.6	95.3	47.63	88.9	12.70	98.6	263
326T	773.2	152.4	374.6	304.8	---	142.7	133.3	53.97	12.70	12.70	98.6	263
326TS	735.1	152.4	374.6	304.8	---	104.6	95.3	47.63	88.9	12.70	98.6	283
364T	849.4	155.4	381.0	---	285.7	158.8	149.4	60.33	14.27	15.88	108.0	362
364TS	795.3	155.4	381.0	311.1	---	104.6	95.3	47.63	88.9	12.70	98.6	360
365T	849.4	155.4	381.0	---	285.7	158.8	149.4	60.33	14.27	15.88	108.0	360
365TS	795.3	155.4	381.0	311.1	---	104.6	95.3	47.63	88.9	12.70	98.6	378
404T	973.1	174.8	406.4	---	311.1	190.5	184.1	73.02	17.78	19.05	142.7	508
404TS	973.1	174.8	406.4	349.2	---	104.6	95.3	47.63	88.9	12.70	98.6	503
405T	973.1	174.8	406.4	---	311.1	190.5	184.1	73.02	17.78	19.05	142.7	526
405TS	898.9	174.8	406.4	349.2	---	104.6	95.3	47.63	88.9	12.70	98.6	522
444T	1133.3	209.6	482.6	---	368.3	227.1	215.9	85.72	20.96	22.22	174.8	698
444TS	1038.4	209.6	482.6	419.1	---	227.1	215.9	85.72	20.96	22.22	174.8	691
445T	1133.3	209.6	482.6	---	368.3	227.1	215.9	85.72	20.96	22.22	174.8	784
445TS	1038.4	209.6	482.6	419.1	---	131.8	120.7	60.33	11.4.3	15.88	76.2	777

- (1) SPECIAL DIMENSIONS APPLYING TO THIS ORDER ON THIS LINE. CONDUIT BOX LOCATED ON OPPOSITE SIDE WHEN F-2-W-1, W-4-W-5-W-7, OR C-1 MOUNTING IS SPECIFIED.
- (2) "D" VARIES $\begin{cases} 250T - 320T +0, -8. \\ 360T - 440T +0, -1.5. \end{cases}$ IF MOUNTING CLEARANCE DETAILS ARE REQUIRED, CONSULT FACTORY.
- (3) "U" VARIES $\begin{cases} 41.27 \text{ AND LARGER} +0.0, -0.3 \\ \text{UP TO } 41.27 \text{ DIA.} +0.00, -0.13 \end{cases}$ MAXIMUM PERMISSIBLE SHAFT RUNOUT WHEN MEASURED AT END OF STD. SHAFT EXTENSION IS .05 T.I.R. UP TO AND INCLUDING 41.27 DIA. AND .08 T.I.R. 41.27 DIA. TO 127.00 MILL. DIA.
- (4) ALL FRAMES HAVE EIGHT MOUNTING HOLES FOR DUAL MOUNTING.
- (5) MOTOR WEIGHTS MAY VARY BY 15% DEPENDING UPON RATING.
- (6) "N-W" VARIES +0, -6.4.
- (7) DIMENSIONS ARE IN INCHES.

FRAME _____ TYPE _____ CERTIFIED FOR _____
 ORDER _____ ITEM _____ HP _____ RPM _____ APPROVED BY _____ PH _____ HZ _____ VOLTS _____
 RELIANCE SALES ORDER _____ DATE _____

CUSTOMER IS RESPONSIBLE FOR DETERMINING THAT BALDOR'S PRODUCT WILL PERFORM SUITABLY IN THE INTENDED APPLICATION.

REV. DESC: UPDATE TITLE	VERSION: 02	TDR: 000000498266
REV. LTR: B		REVISED: 14: 03: 30 04/28/2009
FILE: \RAG\00000\168		BY: RAGEC
MTL: -		

Baldor • Dodge • Reliance

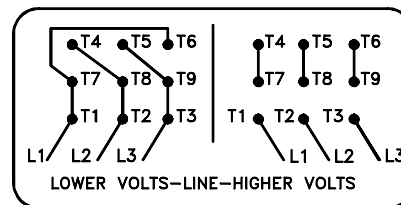
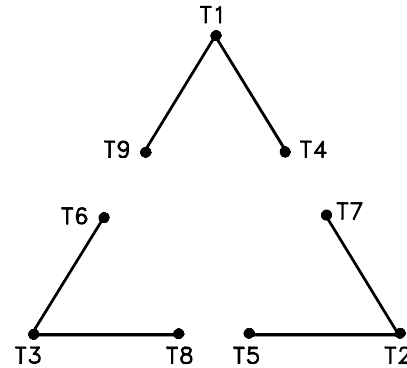
DIM SHEET 250T THRU 440T METRIC

SH 1 of 1

611740-001-SH2

416820-002

A-C MOTOR
 CONNECTION DIAGRAM
 STANDARD 9 LEAD DELTA-CONNECTED



(N.P. 1575-B)

416820-002

REV. DESC: LOADED TO BUS, C/R 335225		
REV. LTR: -	VERSION: 00	TDR: 000000538207
FILE: \MGA\00000\661	REVISED: 10: 47: 51 04/30/2010	
MTL: -	BY: RAGRA	

BALDOR

CONN DIAG - STANDARD 9 LEAD, DELTA-CONNECTED

SH 1 of 1