

# **BALDOR**® • **RELIANCE**

## **Product Information Packet**

# **EM4316T-12**

**75HP, 1780RPM, 3PH, 60HZ, 365T, A36070M, TEFC**

Copyright © All product information within this document is subject to Baldor Electric Company copyright © protection, unless otherwise noted.

Part Detail							
Revision:	F	Status:	PRD/A	Change #:		Proprietary:	No
Type:	AC	Prod. Type:	A36070M	Elec. Spec:	A36WG1521	CD Diagram:	
Enclosure:	TEFC	Mfg Plant:		Mech. Spec:		Layout:	
Frame:	365T	Mounting:	F1	Poles:	04	Created Date:	12-17-2010
Base:		Rotation:	R	Insulation:	F	Eff. Date:	06-20-2012
Leads:	12#6	Literature:		Elec. Diagram:		Replaced By:	

Nameplate NP2383L									
CAT.NO.	EM4316T-12	SPEC NO.	P36G3433						
HP	75	AMPS	172/85.9	VOLTS	230/460	DESIGN	B		
FRAME	365T	RPM	1780	HZ	60	AMB	40	SF	1.15
DRIVE END BEARING	65BC03J30X	PHASE	3	DUTY	CONT	INSUL.CLASS	F		
OPP D.E. BEARING	65BC03J30X	TYPE	P	ENCL	TEFC	CODE	G		
SER.NO.		POWER FACTOR	86	NEMA-NOM-EFFICIENCY	95.4				
		MAX CORR KVAR	16.0	GUARANTEED EFFICIENCY	95.0				
NEMA NOM/CSA QUOTED EFF									
		MOTOR WEIGHT							

Parts List		
Part Number	Description	Quantity
SA213579	SA P36G3433	1.000 EA
RA200799	RA P36G3433	1.000 EA
421948038R	LABEL, MYLAR	1.000 EA
000692000VD	N/P (REL QTY 4000)	1.000 EA
NP2383L	SUPER-E ,SS, CC, CSA-C US, CSA EEV	1.000 EA
085922073B	BRKT 360 085922072WCC KB	1.000 EA
415072001B	CLAMP	1.000 EA
078559001A	+FANCV - 360	1.000 EA
034180012DA	KEY 1X4X1/4X1-1/2 L	1.000 EA
004824015A	GREASE POLYREX EM	0.540 LB
032018012DK	HHCS 1/2-13X1-1/2 PLTD.	4.000 EA
032018008AK	HHCS 1/4-20X1 PLATED	4.000 EA
032018024CK	HHCS 3/8-16X3 PLTD.	3.000 EA
415096002A	CPLG 1/8 HEX TYPE	1.000 EA
410700004F	WSHR	1.000 EA
035000001G	GITS GRS CUP,ODE	1.000 EA
034530052AB	P/NIP 1/8X6-1/2 GALV.	1.000 EA
034690001AB	SQHDPLG, COND	1.000 EA
034600001AA	BUSH 1/4TO1/8 BLACK	1.000 EA
034690001AB	SQHDPLG, COND	1.000 EA
034600001AA	BUSH 1/4TO1/8 BLACK	1.000 EA
085922073A	BRKT 360 085922072WCC KB	1.000 EA
032018012DK	HHCS 1/2-13X1-1/2 PLTD.	4.000 EA
032018024CK	HHCS 3/8-16X3 PLTD.	3.000 EA

Parts List (continued)		
Part Number	Description	Quantity
035000001G	GITS GRS CUP,ODE	1.000 EA
077176000L	C/BOX, PAINTED 360-400	1.000 EA
077176001A	CBOXC, PAINTED 360-400	1.000 EA
043292000AJ	GASK 320-400	1.000 EA
402731001A	GASK 360-440	1.000 EA
418150003A	GREASE FITTING CAP	1.000 EA
MG1000Y03	WILKO 689.710 GOLD PAINT SUPER E	0.250 GA
033775004EA	DRSCR #6-1/4 304 S.S.	2.000 EA
032018005AK	HHCS 1/4-20X5/8 PLATED	4.000 EA
032018008CK	HHCS 3/8-16X1L PLATED	4.000 EA
035000001A	ALFTG 1/8" 1610-BL	1.000 EA
415000003D	T/LUG 897-777 KPA25/G16	1.000 EA
406099000A	PLUG - FAN COVER 320-440	1.000 EA
033512004LB	HHTTS 1/4-20X1/2 PLTD.	1.000 EA
035000001A	ALFTG 1/8" 1610-BL	1.000 EA
418150003A	GREASE FITTING CAP	1.000 EA
034180034HA	KEY 5/8X5/8X4-1/4 L	1.000 EA
LB1346	LABEL,SUPER-E GP(4X4)	1.000 EA
702676001C	FAN 360 - 56 PCS	1.000 EA
14PA1000	PACKAGING 314 GROUP COMBINED PRINT	1.000 EA

Accessories		
Part Number	Description	Multiplier
K36G2	C-FACE KIT	A8
085922068B	D-FLANGE BRKT 360 085922067WCA	P1

REL. S.O.	FRAME	HP	TYPE	PHASE/HERTZ	RPM	VOLTS
	365T	75	P	3/60	1780	230/460
AMPS	DUTY	AMB °C/ INSUL.	S.F.	NEMA DESIGN	CODE LETTER	ENCL.
171/85.9	CONT	40/F	1.15	B	G	FOXE
E/S	ROTOR	TEST S.O.	TEST DATE	STATOR RES. @25 °C OHMS (BETWEEN LINES)		
892211	418141043EE	---	---	.0210/.0843		

PERFORMANCE


LOAD	HP	AMPERES	RPM	POWER FACTOR %	EFFICIENCY %
NO LOAD	0	26.1	1800	3.86	0
1/4	18.8	33.4	1796	56.1	93.8
2/4	37.5	47.7	1791	77.0	95.7
3/4	56.2	65.8	1786	83.5	95.8
4/4	75.0	85.9	1781	85.6	95.4
5/4	93.8	107	1776	86.7	94.8

SPEED TORQUE

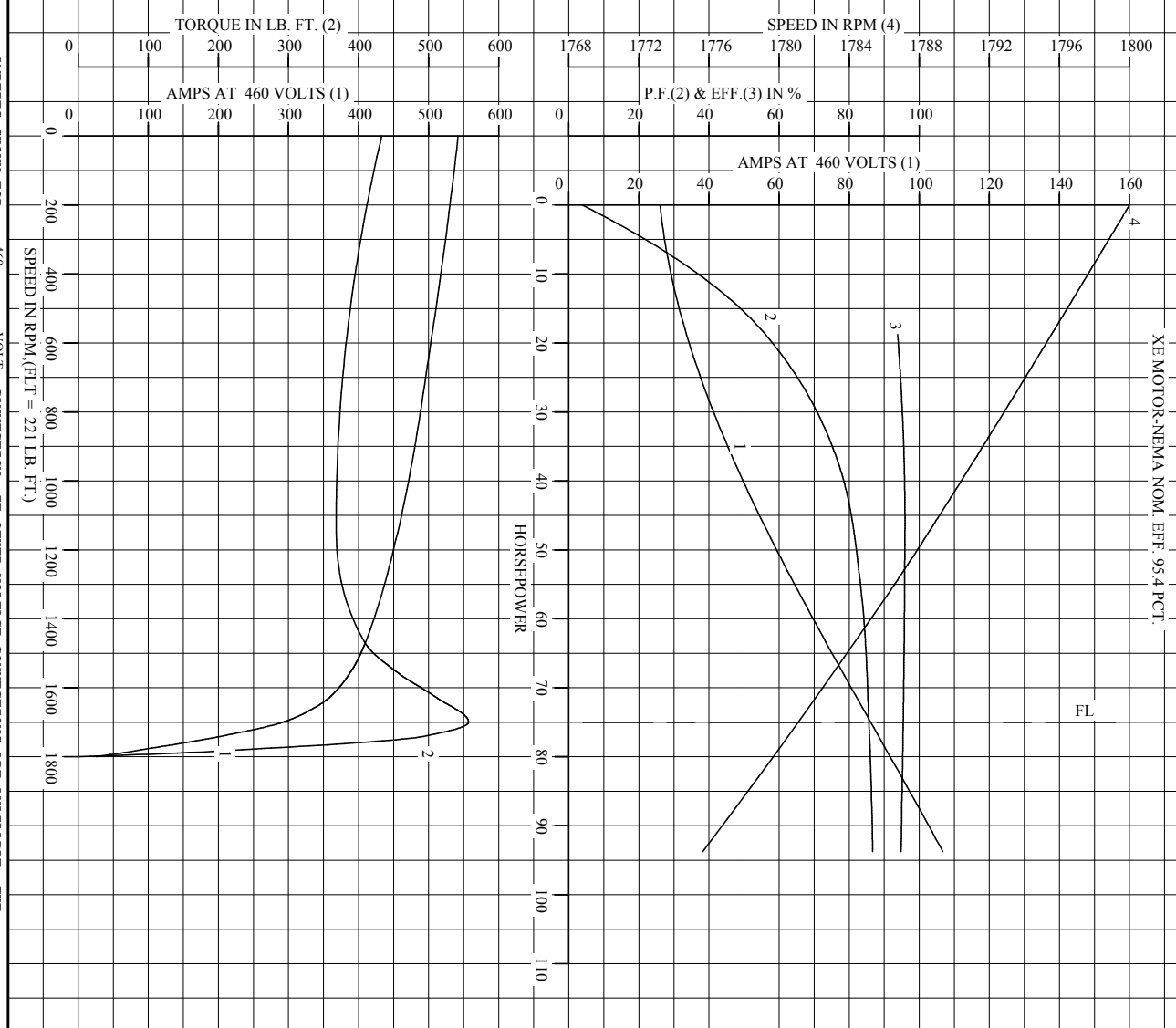
	RPM	TORQUE % FULL LOAD	TORQUE LB.-FT.	AMPERES
LOCKED ROTOR	0	196	433	542
PULL UP	1130	166	368	458
BREAKDOWN	1699	252	557	293
FULL LOAD	1781	100	221	85.9

AMPERES SHOWN FOR 460. VOLT CONNECTION. IF OTHER VOLTAGE CONNECTIONS ARE AVAILABLE, THE AMPERES WILL VARY INVERSELY WITH THE RATED VOLTAGE

REMARKS: CALCULATED DATA  
XE MOTOR-NEMA NOM. EFF. 95.4 PCT.

	DR. BY	W. L. SMITH	<b>A-C MOTOR PERFORMANCE DATA</b> A36WG1521-R001 ISSUE DATE 12/20/05
	CK. BY	J. J. HARRISON	
	APP. BY	W. L. SMITH	
DATE		12/20/05	

REL. S.O. \_\_\_\_\_ RPM 1780 S.F. 1.15 ROTOR 418141043EE  
 FRAME 365T VOLTS 230/460 NEMA DESIGN B TEST S.O. CALCULATED DATA  
 HP 75 AMPS 171/85.9 CODE LETTER G TEST DATE ---  
 TYPE P DUTY CONT ENCLOSURE FCXE STATOR RES. @ 25 °C .0210/.0843  
 PHASE/HERTZ 3/60 AMB °C/INSUL 40/F E/S 892211 OHMS (BETWEEN LINES)



AMPERES SHOWN FOR 460 VOLT CONNECTION, IF OTHER VOLTAGE CONNECTIONS ARE AVAILABLE, THE AMPERES WILL VARY INVERSELY WITH THE RATED VOLTAGE.

VOLT CONNECTION, IF OTHER VOLTAGE CONNECTIONS ARE AVAILABLE, THE

**BALDOR**

DR. BY W.L. SMITH  
 CK. BY J.J. HARRISON  
 App. BY W.L. SMITH  
 DATE 12/20/05

**A-C MOTOR PERFORMANCE CURVES** A36W/G1S21-R001  
 ISSUE DATE 12/20/05

Printed on 2/3/11 5:45 @ usmghengdev1

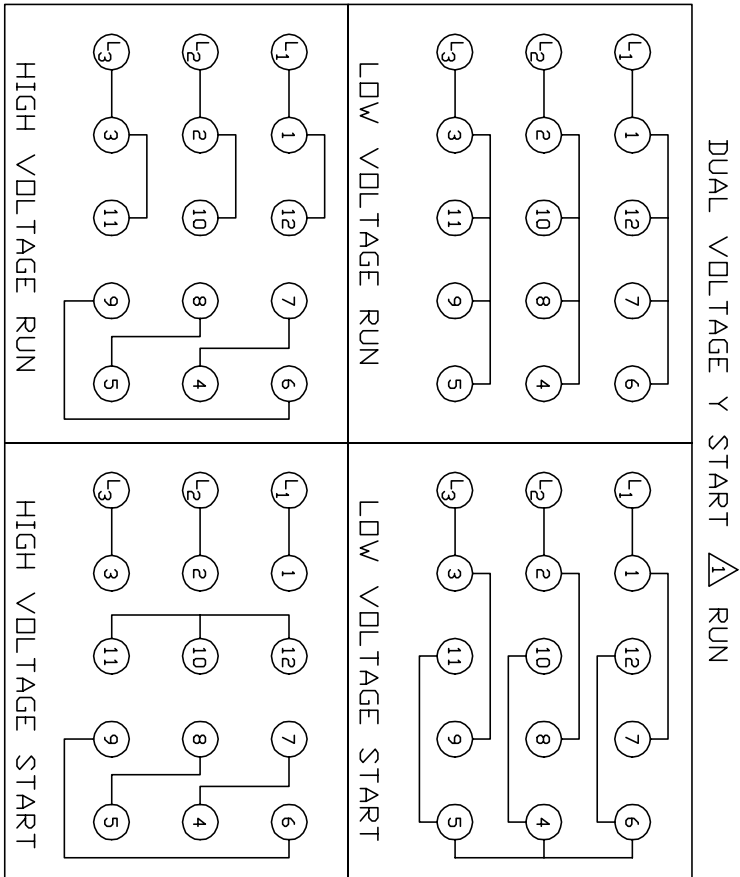




416820-020

A-C MOTOR  
CONNECTION DIAGRAM

416820-020



<410961-39/ 1575-AC>

CUSTOMER \_\_\_\_\_ CUSTOMER ORDER NO. \_\_\_\_\_ S. D. NO. \_\_\_\_\_

REV. DESC: LOADED TO BUS			
REV. LTR: A	VERSION: 01	TDR: 000000553773	
FILE: \RAG\00011\270		REVISED: 01:15:19 08/12/2010	
MTL: -	BY: RAGMTC		

**BALDOR**

A-C MOTOR CONNECTION DIAGRAM

SH 1 of 1