

BALDOR® • RELIANCE

Product Information Packet

EM4316TS

MOTOR 75 HP 1775 RPM NEMA 365TS

Copyright © All product information within this document is subject to Baldor Electric Company copyright © protection, unless otherwise noted.

Part Detail									
Revision:	H	Status:	PRD/A	Change #:		Proprietary:	No		
Type:	AC	Prod. Type:	A36070M	Elec. Spec:	A36WG1512	CD Diagram:			
Enclosure:	TEFC	Mfg Plant:		Mech. Spec:		Layout:			
Frame:	365TS	Mounting:	F1	Poles:	04	Created Date:	12-17-2010		
Base:		Rotation:	R	Insulation:	F	Eff. Date:	06-20-2012		
Leads:	3#4,6#6	Literature:		Elec. Diagram:		Replaced By:			
Nameplate NP2383L									
CAT.NO.	EM4316TS	SPEC NO.	P36G3434						
HP	75	AMPS	171/85.9	VOLTS	230/460	DESIGN	B		
FRAME	365TS	RPM	1780	HZ	60	AMB	40	SF	1.15
DRIVE END BEARING	65BC03J30X	PHASE	3	DUTY	CONT	INSUL.CLASS	F		
OPP D.E. BEARING	65BC03J30X	TYPE	P	ENCL	TEFC	CODE	G		
SER.NO.		POWER FACTOR	86	NEMA-NOM-EFFICIENCY	95.4				
		MAX CORR KVAR	16.0	GUARANTEED EFFICIENCY	95.0				
NEMA NOM/CSA QUOTED EFF									
		MOTOR WEIGHT							

Parts List		
Part Number	Description	Quantity
SA213587	SA P36G3434	1.000 EA
RA200807	RA P36G3434	1.000 EA
421948032	LABEL, MYLAR	1.000 EA
000692000VD	N/P (REL QTY 4000)	1.000 EA
NP2383L	SUPER-E ,SS, CC, CSA-C US, CSA EEV	1.000 EA
085922073B	BRKT 360 085922072WCC KB	1.000 EA
415072001B	CLAMP	1.000 EA
078559001A	+FANCV - 360	1.000 EA
034180012DA	KEY 1X4X1/4X1-1/2 L	1.000 EA
702676001C	FAN 360 - 56 PCS	1.000 EA
004824015A	GREASE POLYREX EM	0.540 LB
032018012DK	HHCS 1/2-13X1-1/2 PLTD.	4.000 EA
032018008AK	HHCS 1/4-20X1 PLATED	4.000 EA
032018024CK	HHCS 3/8-16X3 PLTD.	3.000 EA
415096002A	CPLG 1/8 HEX TYPE	1.000 EA
410700004F	WSHR	1.000 EA
035000001G	GITS GRS CUP,ODE	1.000 EA
034530052AB	P/NIP 1/8X6-1/2 GALV.	1.000 EA
034690001AB	SQHDPLG, COND	1.000 EA
034600001AA	BUSH 1/4TO1/8 BLACK	1.000 EA
034690001AB	SQHDPLG, COND	1.000 EA
034600001AA	BUSH 1/4TO1/8 BLACK	1.000 EA
085922073A	BRKT 360 085922072WCC KB	1.000 EA
032018012DK	HHCS 1/2-13X1-1/2 PLTD.	4.000 EA

Parts List (continued)		
Part Number	Description	Quantity
032018024CK	HHCS 3/8-16X3 PLTD.	3.000 EA
035000001G	GITS GRS CUP,ODE	1.000 EA
077176000L	C/BOX, PAINTED 360-400	1.000 EA
077176001A	CBOXC, PAINTED 360-400	1.000 EA
043292000AJ	GASK 320-400	1.000 EA
402731001A	GASK 360-440	1.000 EA
418150003A	GREASE FITTING CAP	1.000 EA
MG1000Y03	WILKO 689.710 GOLD PAINT SUPER E	0.250 GA
033775004EA	DRSCR #6-1/4 304 S.S.	2.000 EA
032018005AK	HHCS 1/4-20X5/8 PLATED	4.000 EA
032018008CK	HHCS 3/8-16X1L PLATED	4.000 EA
035000001A	ALFTG 1/8" 1610-BL	1.000 EA
415000003D	T/LUG 897-777 KPA25/G16	1.000 EA
406099000A	PLUG - FAN COVER 320-440	1.000 EA
033512004LB	HHTTS 1/4-20X1/2 PLTD.	1.000 EA
035000001A	ALFTG 1/8" 1610-BL	1.000 EA
418150003A	GREASE FITTING CAP	1.000 EA
034180016GA	KEY 1/2X1/2X2 L	1.000 EA
LB1346	LABEL,SUPER-E GP(4X4)	1.000 EA
14PA1000	PACKAGING 314 GROUP COMBINED PRINT	1.000 EA

Accessories		
Part Number	Description	Multiplier
K36G2	C-FACE KIT	A8
085922068B	D-FLANGE BRKT 360 085922067WCA	P1


REL. S.O.	FRAME	HP	TYPE	PHASE/ HERTZ	RPM	VOLTS
	365T	75	P	3/60	1780	230/460
AMPS	DUTY	AMB °C/ INSUL.	S.F.	NEMA DESIGN	CODE LETTER	ENCL.
171/85.9	CONT	40/F	1.15	B	G	TEFC-XEX
E/S	ROTOR	TEST S.O.	TEST DATE	STATOR RES. @25 °C OHMS (BETWEEN LINES)		
892008	418141043EE	---	---	.0210/.0843		

PERFORMANCE						
LOAD	HP	AMPERES	RPM	POWER FACTOR %	EFFICIENCY %	
NO LOAD	0	26.1	1800	3.86	0	
1/4	18.8	33.4	1796	56.1	93.8	
2/4	37.5	47.7	1791	77.0	95.7	
3/4	56.2	65.8	1786	83.5	95.8	
4/4	75.0	85.9	1781	85.6	95.4	
5/4	93.8	107	1776	86.7	94.8	

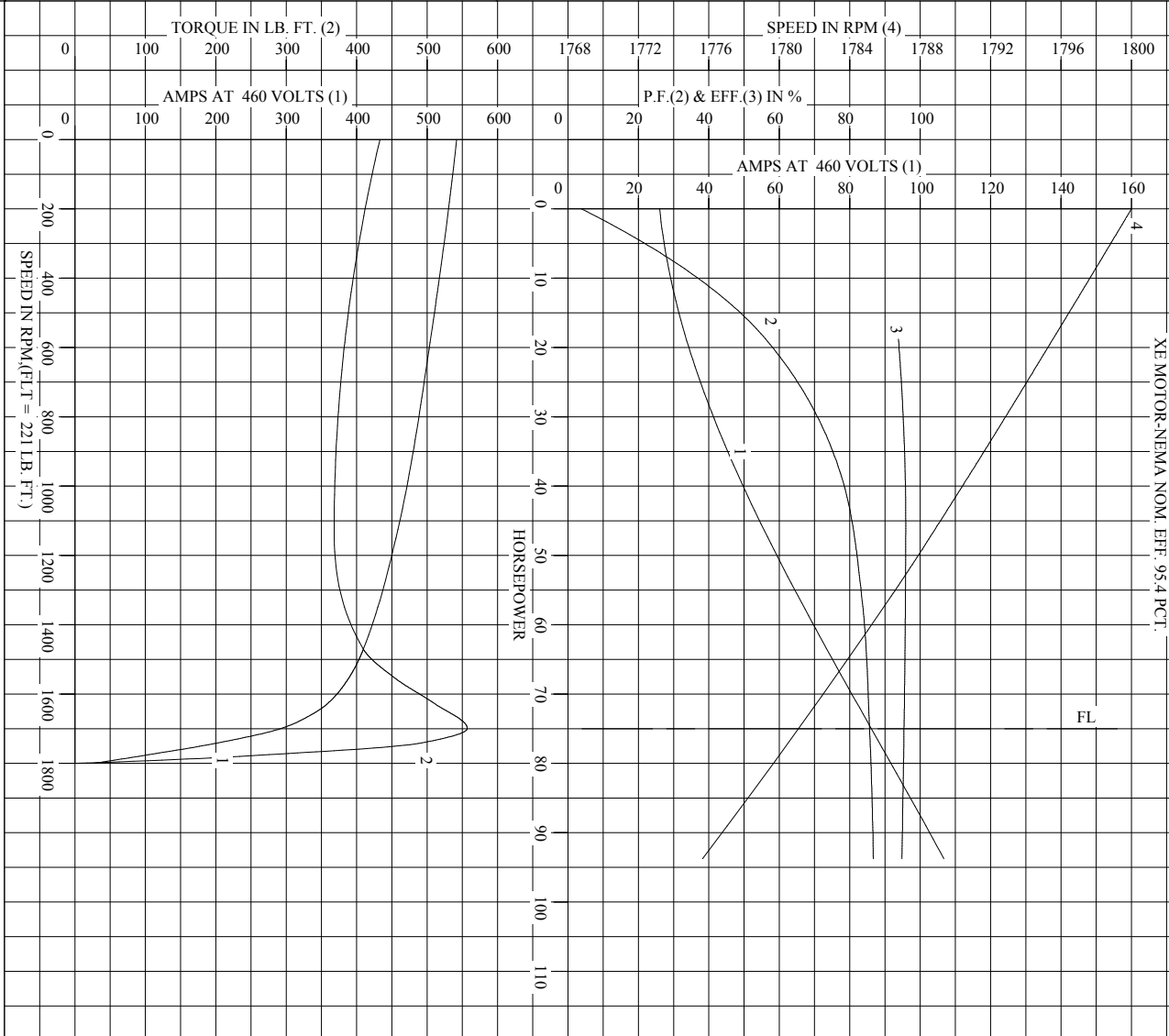
SPEED TORQUE						
	RPM	TORQUE % FULL LOAD	TORQUE LB.-FT.	AMPERES		
LOCKED ROTOR	0	196	433	542		
PULL UP	1130	166	368	458		
BREAKDOWN	1699	252	557	293		
FULL LOAD	1781	100	221	85.9		

AMPERES SHOWN FOR 460. VOLT CONNECTION. IF OTHER VOLTAGE CONNECTIONS ARE AVAILABLE, THE AMPERES WILL VARY INVERSELY WITH THE RATED VOLTAGE

REMARKS: TYPICAL DATA
XE MOTOR-NEMA NOM. EFF. 95.4 PCT.

 A MEMBER OF THE ABB GROUP	DR. BY	W. L. SMITH	A-C MOTOR PERFORMANCE DATA A36WG1512-R001 ISSUE DATE 04/06/12
	CK. BY	J. J. HARRISON	
	APP. BY	W. L. SMITH	
	DATE	12/20/05	

REL. S.O. _____ RPM 1780 S.F. 1.15 ROTOR 418141043EE
 FRAME 365T VOLTS 230/460 NEMA DESIGN B TEST S.O. TYPICAL DATA
 HP 75 AMPS 171/85.9 CODE LETTER G TEST DATE ---
 TYPE P DUTY CONT ENCLOSURE TEF-C-XEX STATOR RES. @ 25 °C .0210/.0843
 PHASE/HERTZ 3/60 AMB °C/INSUL 40/F E/S 892008 OHMS (BETWEEN LINES)

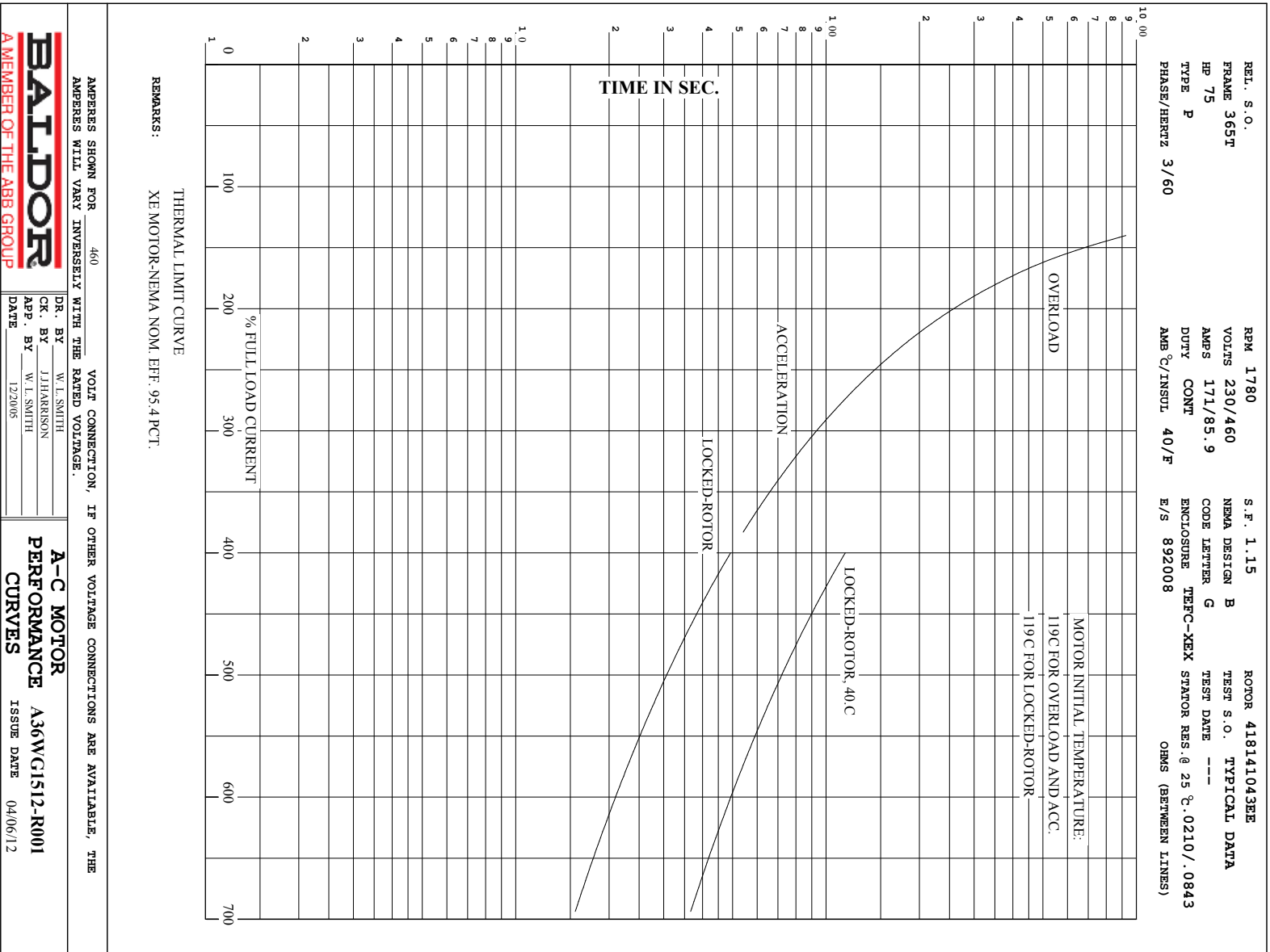


BALDOR
A MEMBER OF THE ABB GROUP

DR. BY W. L. SMITH
 CK. BY J. HARRISON
 APP. BY W. L. SMITH
 DATE 12/20/05

A-C MOTOR
PERFORMANCE
CURVES
 A36WG1512-R001
 ISSUE DATE 04/06/12

Printed on 4/6/12 9:44 @ psecs-motoreng



Printed on 4/6/12 9:44 @ psecs-motoreng

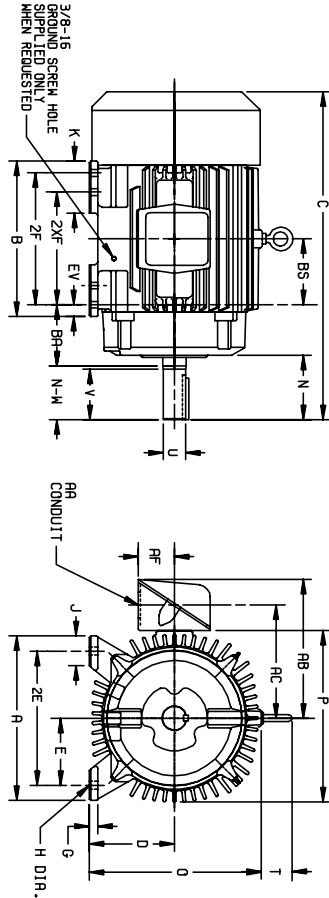
611740-001-SH1

DUTY MASTER ALTERNATING CURRENT MOTORS
SQUIREL-CAGE INDUCTION

ENCLOSURE: TOTALLY ENCLOSED
MOUNTING: FOOT

COOLING: FAN COOLED

FRAMES 250T THRU 440T



DIMENSIONS ARE IN INCHES; SEE SHEET 2 FOR DIMENSIONS IN MILLIMETERS

FRAME	A	D(2)	E	G	H	J	K	O	P	T	STEEL TERMINAL BOX				AA	AB	AC	AD	AE	AF	BA	EA	EV	
254T-256T	12.50	6.25	5.00	7.5	1.56	2.50	---	13.25	13.25	2.44	1-1/4	10.25	8.75	2.50	4.25	1.00	---	---	---	---	---	---	---	---
264T-266T	14.56	7.00	5.00	8.00	1.69	2.50	---	14.75	14.88	2.44	1-1/2	12.25	10.00	3.19	4.75	1.00	---	---	---	---	---	---	---	---
284T-286T	17.00	8.00	6.25	8.8	1.88	2.75	4.50	16.69	17.00	2.44	2	13.19	11.44	4.25	5.25	1.38	---	---	---	---	---	---	---	---
304T-306T	19.00	9.00	7.00	9.8	2.125	3.88	18.50	19.50	19.50	2.94	3	18.06	14.00	5.38	5.88	1.38	---	---	---	---	---	---	---	---
324T-326T	21.00	10.00	8.00	11.2	2.375	4.62	21.31	22.50	22.50	3.25	3	19.31	15.25	5.38	6.62	1.13	---	---	---	---	---	---	---	---
344T-346T	23.00	11.00	9.00	12.8	2.625	5.25	23.38	25.25	25.25	3.25	3	20.38	16.12	6.50	7.50	1.25	---	---	---	---	---	---	---	---

FRAME	C	BS	B	2F	(4)	2XF	N	(4)	N	N-W(6)	U(3)	V	SQ.	LGTH.	WGT.
254T	24.56	5.00	12.00	---	8.25	4.12	4.00	1.625	3.75	3.75	2.88	3.75	2.88	3.05	3.05
264T	27.46	5.00	12.00	10.00	9.50	4.12	4.00	1.625	3.75	3.75	2.88	3.75	2.88	3.12	3.12
284T	31.44	5.50	13.00	---	9.50	4.12	4.00	1.625	3.75	3.75	2.88	3.75	2.88	3.25	3.25
284TS	26.06	5.50	13.00	---	3.50	3.62	3.25	1.825	4.50	4.50	3.75	3.75	1.88	4.50	4.50
284TS	27.44	5.50	13.00	11.00	---	3.00	4.62	1.875	4.50	4.50	3.75	3.75	1.88	4.50	4.50
286TS	26.06	5.50	13.00	11.00	---	3.00	3.25	1.825	3.00	3.00	3.75	3.75	1.88	4.50	4.50
324T	30.44	6.00	14.75	---	10.50	3.62	3.25	2.125	3.00	3.00	3.00	3.00	3.88	5.40	5.40
324TS	28.94	6.00	14.75	12.00	---	10.50	3.62	2.125	3.00	3.00	3.00	3.00	3.88	5.80	5.80
326TS	28.94	6.00	14.75	12.00	---	5.62	3.25	1.875	3.50	3.50	3.00	3.00	3.88	5.80	5.80
364T	33.44	6.12	15.00	---	11.25	4.12	3.75	2.125	3.50	3.50	3.00	3.00	4.25	8.00	8.00
364TS	31.31	6.12	15.00	12.25	---	4.12	3.75	2.125	3.50	3.50	3.00	3.00	4.25	8.00	8.00
365TS	33.44	6.12	15.00	12.25	---	6.25	3.62	2.375	3.62	3.62	3.00	3.00	4.25	8.40	8.40
404T	38.31	6.88	16.00	---	12.25	4.50	4.25	2.875	4.00	4.00	3.50	3.50	5.62	11.20	11.20
404TS	35.31	6.88	16.00	13.75	---	7.50	4.25	2.875	4.00	4.00	3.50	3.50	5.62	11.80	11.80
405TS	35.31	6.88	16.00	13.75	---	7.50	4.25	2.875	4.00	4.00	3.50	3.50	5.62	11.80	11.80
444T	44.62	8.25	19.00	---	14.50	5.19	4.75	3.375	4.50	4.50	4.00	4.00	7.50	15.40	15.40
444TS	40.88	8.25	19.00	16.50	---	8.94	4.75	3.375	4.50	4.50	4.00	4.00	7.50	15.40	15.40
445T	44.62	8.25	19.00	16.50	---	8.94	4.75	3.375	4.50	4.50	4.00	4.00	7.50	15.40	15.40
445TS	40.88	8.25	19.00	16.50	---	5.19	4.75	3.375	4.50	4.50	4.00	4.00	7.50	17.14	17.14

- (1) SPECIAL DIMENSIONS APPLYING TO THIS ORDER ON THIS LINE.
 - (2) "P" VARIES $\begin{cases} -250T - 320T + .00, -.03 \\ -360T - 440T + .00, -.06 \end{cases}$
 - (3) "U" VARIES $\begin{cases} \text{UP TO 1.625 DIA.} + .0000, -.0005 \\ \text{UP TO 1.625 AND LARGER} + .000, -.001 \end{cases}$
 - (4) ALL FRAMES HAVE EIGHT MOUNTING HOLES FOR DUAL MOUNTING.
 - (5) MOTOR WEIGHTS MAY VARY BY 15% DEPENDING UPON RATING.
 - (6) "N-W" VARIES + .00, -.25.
- CONDUIT BOX LOCATED ON OPPOSITE SIDE WHEN F-2-W-1, W-4-W-5-W-7, OR C-1 MOUNTING IS SPECIFIED.
- IF MOUNTING CLEARANCE DETAILS ARE REQUIRED, CONSULT FACTORY.
- MAXIMUM PERMISSIBLE SHAFT RUNOUT WHEN MEASURED AT END OF STD. SHAFT EXTENSION IS .002 TIR, UP TO AND INCLUDING 1.625 DIA. AND .003 TIR, 1.625 DIA. TO 5 INCH DIA.

FRAME- _____ TYPE- _____ CERTIFIED FOR- _____
 ORDER- _____ ITEM- _____ HP- _____ RPM- _____ PH- _____ HZ _____ VOLTS _____
 RELIANCE SALES ORDER- _____ APPROVED BY- _____ DATE _____

CUSTOMER IS RESPONSIBLE FOR DETERMINING THAT BALDOR'S PRODUCT WILL PERFORM SUITABLY IN THE INTENDED APPLICATION.

REV. DESC: UPDATE TITLE SHEET 2	VERSION: 02	TDR: 000000498266
REV. LTR: B	FILE: \RAG\00000\167	REVISED: 07:05:46 04/29/2009
MTL: -		BY: RAGEC

Baldor • Dodge • Reliance

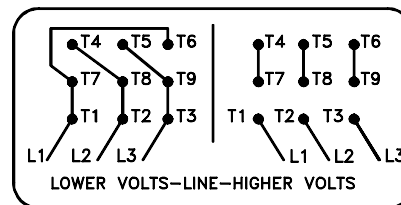
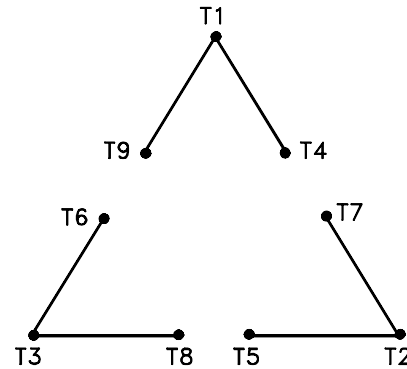
DIM SHEET 250T THRU 440T

SH 1 of 1

611740-001-SH1

416820-002

A-C MOTOR
 CONNECTION DIAGRAM
 STANDARD 9 LEAD DELTA-CONNECTED



(N.P. 1575-B)

416820-002

REV. DESC: LOADED TO BUS, C/R 335225		
REV. LTR: -	VERSION: 00	TDR: 000000538207
FILE: \MGA\00000\661	REVISED: 10: 47: 51 04/30/2010	
MTL: -	BY: RAGRA	

BALDOR

CONN DIAG - STANDARD 9 LEAD, DELTA-CONNECTED

SH 1 of 1