

# **BALDOR**® • **RELIANCE**

## **Product Information Packet**

# **EM4410T-4**

**125HP, 1785RPM, 3PH, 60HZ, 444T, A44076M, TEFC**

Copyright © All product information within this document is subject to Baldor Electric Company copyright © protection, unless otherwise noted.

Part Detail							
Revision:	G	Status:	PRD/A	Change #:		Proprietary:	No
Type:	AC	Prod. Type:	A44076M	Elec. Spec:	A44WG3870	CD Diagram:	
Enclosure:	TEFC	Mfg Plant:		Mech. Spec:		Layout:	
Frame:	444T	Mounting:	F1	Poles:	04	Created Date:	07-06-2011
Base:		Rotation:	R	Insulation:	F	Eff. Date:	07-24-2012
Leads:	3#1/0	Literature:		Elec. Diagram:		Replaced By:	

Nameplate NP2383L									
CAT.NO.	EM4410T-4	SPEC NO.	P44G5671						
HP	125	AMPS	144	VOLTS	460	DESIGN	B		
FRAME	444T	RPM	1785	HZ	60	AMB	40	SF	1.15
DRIVE END BEARING	90BC03J30X	PHASE	3	DUTY	CONT	INSUL.CLASS	F		
OPP D.E. BEARING	90BC03J30X	TYPE	P	ENCL	TEFC	CODE	G		
SER.NO.		POWER FACTOR	85	NEMA-NOM-EFFICIENCY	95.4				
		MAX CORR KVAR	27.0	GUARANTEED EFFICIENCY	94.5				
NEMA NOM/CSA QUOTED EFF									
		MOTOR WEIGHT							

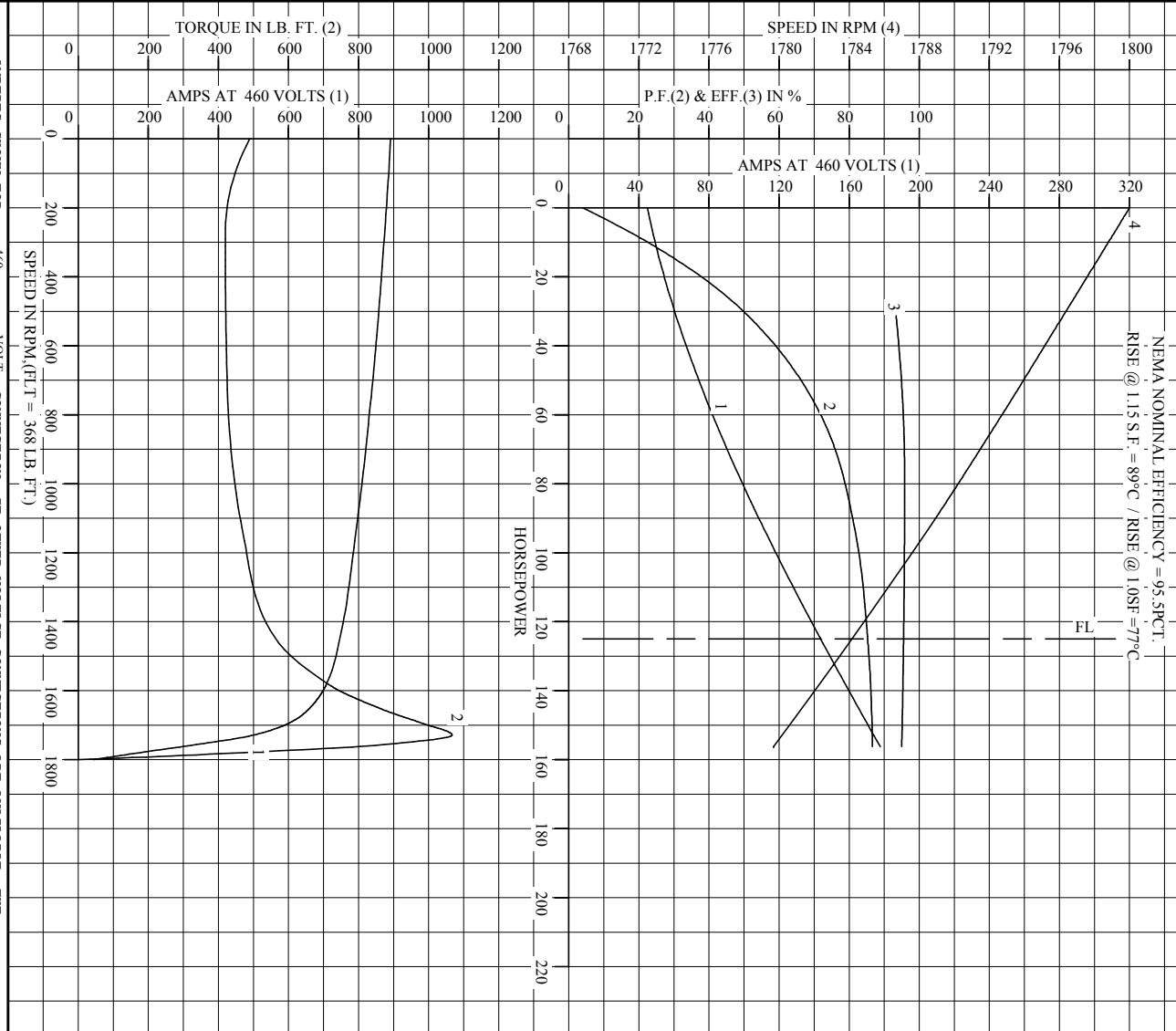
Parts List		
Part Number	Description	Quantity
SA227453	SA P44G5671	1.000 EA
RA214540	RA P44G5671	1.000 EA
421948051	LABEL, MYLAR	1.000 EA
613-6PU	N/P (RELEASE QTY 10,000)	1.000 EA
000692000VD	N/P (REL QTY 4000)	1.000 EA
NP2383L	SUPER-E ,SS, CC, CSA-C US, CSA EEV	1.000 EA
089490099A	G28 BRKT 089490098WCA	1.000 EA
415072001B	CLAMP	1.000 EA
083199082RA	G28 FAN COVER W/BAFFLE ASSY 83199-82A	1.000 EA
034180014DA	KEY 1/4X1/4X1-3/4 L	1.000 EA
078548001R	FAN KB 234/150 (84) 400	1.000 EA
004824015A	GREASE POLYREX EM	1.160 LB
032018020FK	HHCS 3/4-10X2-1/2 PLTD.	4.000 EA
032018008CK	HHCS 3/8-16X1L PLATED	4.000 EA
032018036DK	HHCS 1/2-13X4-1/2 PLTD.	3.000 EA
415096002A	CPLG 1/8 HEX TYPE	1.000 EA
410700004A	WSHR	1.000 EA
034017014AB	LCKW 3/8 STD. PLATED	4.000 EA
034530072AB	P/NIP 1/8X9"L GALV.	1.000 EA
034692001AB	HCSPP 1/8" PLATED	1.000 EA
089490099A	G28 BRKT 089490098WCA	1.000 EA
032018020FK	HHCS 3/4-10X2-1/2 PLTD.	4.000 EA
032018030DK	HHCS 1/2-13X3-3/4 PLTD.	3.000 EA
702658001A	+C/BOX, PAINTED 440	1.000 EA

Parts List (continued)		
Part Number	Description	Quantity
702658002A	+C/BOX CVR, PAINTED 440	1.000 EA
406056008A	TERBD 440	1.000 EA
418153001A	GASK 440	1.000 EA
032018008DK	HHCS 1/2-13X1 PLATED	4.000 EA
415000003D	T/LUG 897-777 KPA25/G16	1.000 EA
033512006LB	HHTTS 1/4-20X3/4 PLTD.	8.000 EA
406099000A	PLUG - FAN COVER 320-440	1.000 EA
033512004LB	HHTTS 1/4-20X1/2 PLTD.	1.000 EA
MG1000Y03	WILKO 689.710 GOLD PAINT SUPER E	0.250 GA
033775004EA	DRSCR #6-1/4 304 S.S.	2.000 EA
034180054KA	KEY 7/8X7/8X6-3/4 L	1.000 EA
LB1346	LABEL,SUPER-E GP(4X4)	1.000 EA
035000001A	ALFTG 1/8" 1610-BL	1.000 EA
034690002AB	PPLG 1/4" PLTD.	1.000 EA
034690005AB	PPLG 3/4 PLATED	2.000 EA
418151014G	RETAIN RING	1.000 EA
032018004BK	HHCS 5/16-18X1/2 PLATED	3.000 EA
035000001A	ALFTG 1/8" 1610-BL	1.000 EA
034692001AB	HCSP 1/8" PLATED	1.000 EA
415096002A	CPLG 1/8 HEX TYPE	1.000 EA
032018006BK	HHCS 5/16-18X3/4 PLATED	3.000 EA
702623013R	THERMAL BARRIER, G28	1.000 EA
034017013AB	LCKW 5/16 STD. PLATED	3.000 EA
034690002AB	PPLG 1/4" PLTD.	1.000 EA

Parts List (continued)		
Part Number	Description	Quantity
034530072AB	P/NIP 1/8X9"L GALV.	1.000 EA
032130014DB	HSHCS1/2-13X1-3/4 PLATE	4.000 EA
415030115A	G28 C/BOX 415030114WCA	1.000 EA
034000016AB	WSHR .531ID 1.062OD .095	4.000 EA
032620016LA	SOCKET SET SCREW-449	3.000 EA
000692000FF	N/P (RELEASE QTY 1,000)	1.000 EA
PK5004A09	BASE 48 X 39-1/4 STACK 2 X 4 RUUNER	1.000 EA
415039027A	GASKET, G28 LEAD THROAT	2.000 EA

Accessories		
Part Number	Description	Multiplier
089490106A	C-FACE, BRKT, DE 089490105WCA	P1

REL. S.O. \_\_\_\_\_ RPM 1785 S.F. 1.15 ROTOR 0  
 FRAME 444/445 VOLTS 460 NEMA DESIGN - TEST S.O. CALCULATED DATA  
 HP 125 AMPS 144 CODE LETTER G TEST DATE ---  
 TYPE P DUTY CONT ENCLOSURE TEFC STATOR RES. @ 25 °C .0383  
 PHASE/HERTZ 3/60 AMB °C/INSUL 40/F E/S 0 OHMS (BETWEEN LINES)



AMPERES SHOWN FOR 460 VOLT CONNECTION, IF OTHER VOLTAGE CONNECTIONS ARE AVAILABLE, THE AMPERES WILL VARY INVERSELY WITH THE RATED VOLTAGE.

DR. BY \_\_\_\_\_ CD \_\_\_\_\_  
 CK. BY \_\_\_\_\_ CD \_\_\_\_\_  
 App. BY R. MCELVEEN  
 DATE 1/18/11

**A-C MOTOR PERFORMANCE CURVES** A44WG3870-R001  
 ISSUE DATE 1/18/11

Printed on 9/24/12 15:53 @ ragsun

REL. S.O.	FRAME	HP	TYPE	PHASE/HERTZ	RPM	VOLTS
	444/445	125	P	3/60	1785	460
AMPS	DUTY	AMB °C/ INSUL.	S.F.	NEMA DESIGN	CODE LETTER	ENCL.
144	CONT	40/F	1.15	-	G	TEFC
E/S	ROTOR	TEST S.O.	TEST DATE	STATOR RES. @25 °C OHMS (BETWEEN LINES)		
0	0	---	---	.0383		

PERFORMANCE


LOAD	HP	AMPERES	RPM	POWER FACTOR %	EFFICIENCY %
NO LOAD	0	44.8	1800	3.97	0
1/4	31.3	61.3	1796	51.1	93.4
2/4	62.5	83.8	1792	73.0	95.5
3/4	93.7	112	1788	81.7	95.8
4/4	125	144	1784	85.3	95.5
5/4	156	178	1780	86.6	95.0

SPEED TORQUE

	RPM	TORQUE % FULL LOAD	TORQUE LB.-FT.	AMPERES
LOCKED ROTOR	0	133	489	892
PULL UP	270	114	420	875
BREAKDOWN	1729	290	1067	500
FULL LOAD	1784	100	368	144

AMPERES SHOWN FOR 460. VOLT CONNECTION. IF OTHER VOLTAGE CONNECTIONS ARE AVAILABLE, THE AMPERES WILL VARY INVERSELY WITH THE RATED VOLTAGE

REMARKS: CALCULATED DATA  
NEMA NOMINAL EFFICIENCY = 95.5PCT.  
RISE @ 1.15 S.F. = 89°C / RISE @ 1.0SF =77°C

 A MEMBER OF THE ABB GROUP	DR. BY CD	A-C MOTOR
	CK. BY CD	PERFORMANCE DATA
APP. BY R. MCILVERN	DATE 1/18/11	A44WG3870-R001
		ISSUE DATE 1/18/11



617423-072

## DUTY MASTER ALTERNATING CURRENT MOTORS

SQUIRREL-CAGE INDUCTION

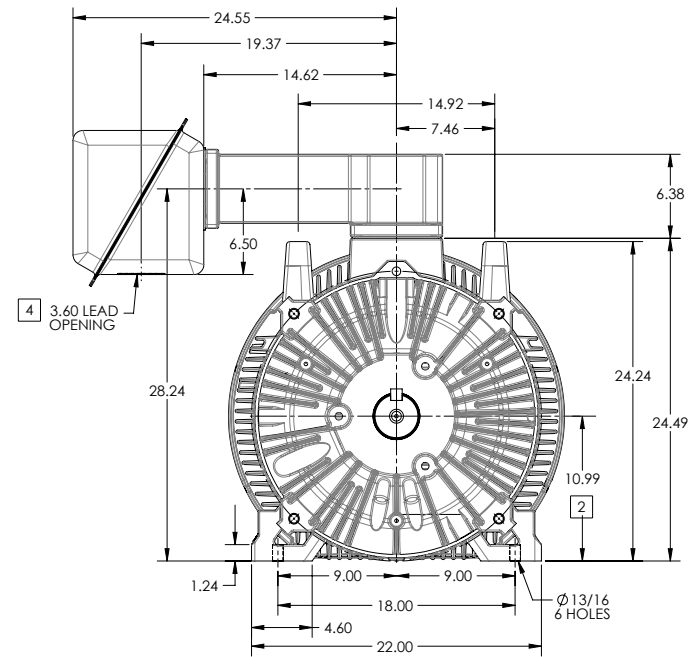
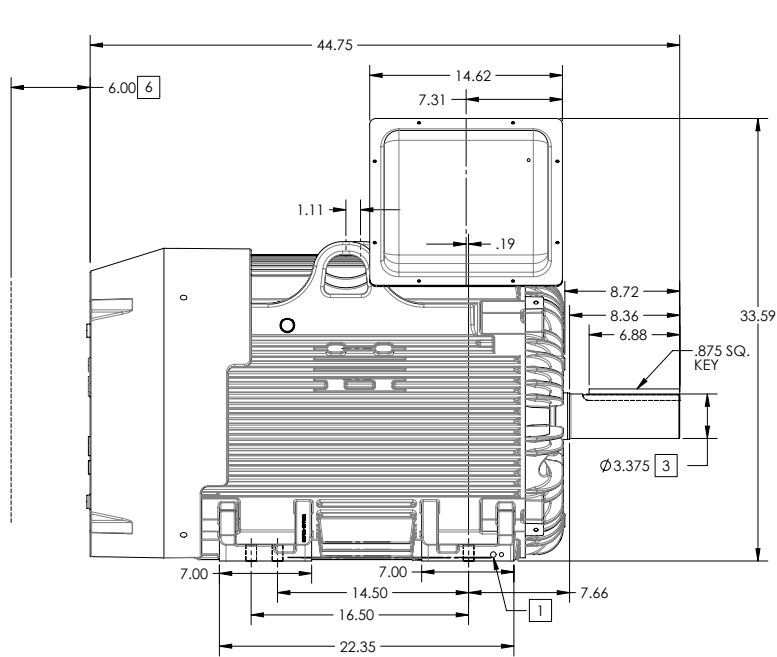
ENCLOSURE: TOTALLY ENCLOSED

FRAME G445T ABOVE NEMA RATINGS

COOLING: FAN COOLED

MOUNTING: FOOT

INCLUDES 444T FRAME MOUNTING HOLES



1. GROUND HOLES QTY 1 1/2-13 TAP; QTY 1 3/8-16 TAP
2. VARIES +.00,-.06
3. VARIES +.00,-.001
4. ON STANDARD MOTORS THIS IS CONDUIT SIZE. ON XT AND CORROSION PROOF MOTOR THIS IS PIPE TAP.
5. MOTOR WEIGHTS MAY VARY BY 1.5% DEPENDING ON RATING.
6. OBSTRUCTION MUST NO ENCROACH ON AIR INLET

CONDUIT BOX LOCATED ON OPPOSITE SIDE WHEN F-2. IF MOUNTING CLEARANCE DETAILS ARE REQUIRED, CONSULT FACTORY. MAXIMUM PERMISSIBLE SHAFT RUNOUT WHEN MEASURED AT END OF STANDARD SHAFT EXTENSION IS .003" T.I.R. TO 5 INCH DIA.

WEIGHT (LBS): 2200

DIMENSIONS ARE IN INCHES; SEE SHEET 2 FOR DIMENSIONS IN MILLIMETERS

CUSTOMER IS RESPONSIBLE FOR DETERMINING THAT MOTOR PERFORMANCE IS SUITABLE IN THE APPLICATION.

SHEET NUMBER  
1 OF 2

ZL07-2372

REV. DESC: .875 KEY WAS .625	VERSION: 01	REVISED: 09-25-47 12/06/2011	TDR: 00000724257
MODEL NO. 617423-072	REF:		
BY: MGH/TL	Material:		

**BALDOR**

DIM SH1, G445T, G444T W/OUT AIR DEFLECTOR, STD STEEL C-BOX

617423-072

617423-072

## DUTY MASTER ALTERNATING CURRENT MOTORS

SQUIRREL-CAGE INDUCTION

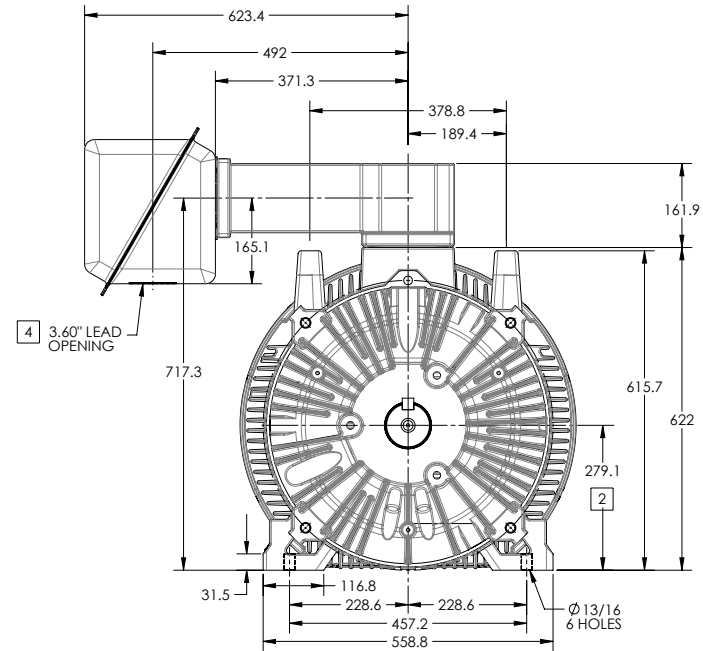
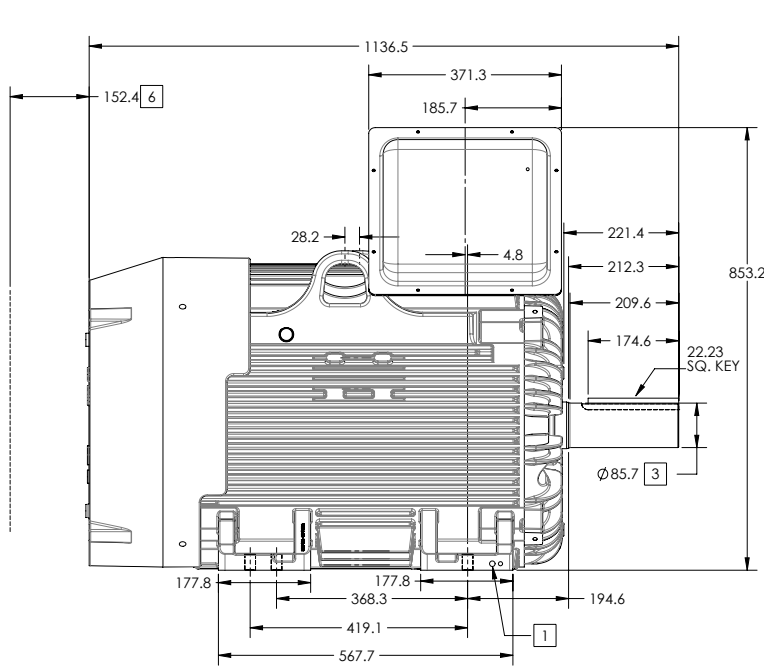
ENCLOSURE: TOTALLY ENCLOSED

FRAME G445T ABOVE NEMA RATINGS

COOLING: FAN COOLED

MOUNTING: FOOT

INCLUDES 444T FRAME MOUNTING HOLES



1. GROUND HOLES QTY 1 1/2-13 TAP; QTY 1 3/8-16 TAP
2. VARIES +.00,-.06
3. VARIES +.00,-.001
4. ON STANDARD MOTORS THIS IS CONDUIT SIZE. ON XT AND CORROSION PROOF MOTOR THIS IS PIPE TAP.
5. MOTOR WEIGHTS MAY VARY BY 15% DEPENDING ON RATING.
6. OBSTRUCTION MUST NO ENCROACH ON AIR INLET

CONDUIT BOX LOCATED ON OPPOSITE SIDE WHEN F-2. IF MOUNTING CLEARANCE DETAILS ARE REQUIRED, CONSULT FACTORY. MAXIMUM PERMISSIBLE SHAFT RUNOUT WHEN MEASURED AT END OF STANDARD SHAFT EXTENSION IS .038 MM T.I.R. FOR BALL BEARING MOTORS AND .051 MM T.I.R. FOR ROLLER BEARING MOTORS TO 127 MM DIA.

WEIGHT (KGS): 1000

DIMENSIONS ARE IN MILLIMETERS; SEE SHEET 1 FOR DIMENSIONS IN INCHES

CUSTOMER IS RESPONSIBLE FOR DETERMINING THAT MOTOR PERFORMANCE IS SUITABLE IN THE APPLICATION.

SHEET NUMBER  
2 OF 2

ZL0P-2327119

REV. DESC: 875 KEY WAS 625	TDR: 00000724257
REV: A VERSION: 01	REVISED: 09-25-07 12:06:2011
MODEL NO. 617423-072	REF:
BY: MGH/TL	Material:

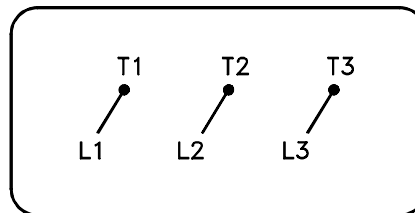
**BALDOR**

DIM SHIT, G445T, G444T W/OUT AIR DEFLECTOR, STD STEEL C-BOX

617423-072

416820-036

A-C MOTOR  
CONNECTION DIAGRAM  
STANDARD 3 LEAD CONNECTED



(N.P. 1575-BA)

416820-036

REV. DESC: LOADED TO BUS, C/R 335225		
REV. LTR: -	VERSION: 00	TDR: 000000538207
FILE: \MGA\00000\682	REVISED: 11:54:06 04/30/2010	
MTL: -	BY: RAGRA	

**BALDOR**

CONN DIAG - STANDARD 3 LEAD

SH 1 of 1