

# **BALDOR® • RELIANCE**

## **Product Information Packet**

### **EMM2333**

**11KW,1765RPM,3PH,60HZ,D160M,0944M,TEFC,F**

Copyright © All product information within this document is subject to Baldor Electric Company copyright © protection, unless otherwise noted.

| Part Detail |       |             |       |                |          |               |            |
|-------------|-------|-------------|-------|----------------|----------|---------------|------------|
| Revision:   | B     | Status:     | PRD/A | Change #:      |          | Proprietary:  | No         |
| Type:       | AC    | Prod. Type: | 0942M | Elec. Spec:    | 09WGW882 | CD Diagram:   |            |
| Enclosure:  | TEFC  | Mfg Plant:  |       | Mech. Spec:    | 09F285   | Layout:       |            |
| Frame:      | D160M | Mounting:   | F2    | Poles:         | 04       | Created Date: | 09-19-2012 |
| Base:       | RG    | Rotation:   | R     | Insulation:    | F        | Eff. Date:    | 11-05-2012 |
| Leads:      | 9#12  | Literature: |       | Elec. Diagram: |          | Replaced By:  |            |

| Nameplate NP1159L |              |                |  |  |  |      |        |
|-------------------|--------------|----------------|--|--|--|------|--------|
| CAT.NO.           | EMM2333      |                |  |  |  |      |        |
| SPEC.             | 09F285Z882G1 |                |  |  |  |      |        |
| IEC FRAME         | D160M        | KW             |  |  |  | 11KW |        |
| VOLTS             | 208-230/460  |                |  |  |  |      |        |
| AMP               | 38-36.2/18.1 |                |  |  |  |      |        |
| RPM               | 1765         | ENCL           |  |  |  | TEFC |        |
| HZ                | 60           | PH             |  |  |  | 3    | CL F   |
| SER.F.            | 1.15         | DES            |  |  |  | A    | CODE H |
| NEMA-NOM-EFF      | 92.4         | I.P.           |  |  |  | 54   |        |
| RATING            | 40C AMB-CONT |                |  |  |  |      |        |
| CC                | 010A         | USABLE AT 208V |  |  |  |      |        |
| DE                | 6309         | ODE            |  |  |  | 6208 |        |
| SER. #            |              |                |  |  |  |      |        |
|                   |              |                |  |  |  |      |        |

| Parts List     |  |          |
|----------------|--|----------|
| Part Number    | Description                              | Quantity |
| SA251442       | SA 09F285Z882G1                          | 1.000 EA |
| RA238283       | RA 09F285Z882G1                          | 1.000 EA |
| S/P107-000-005 | SUPER-E PROC'S(254/6 FR.) ZK PLANT - POL | 1.000 EA |
| HW1002A63      | WASHER, 5/8 HI-COLLAR SPRICKWASHER       | 1.000 EA |
| 09CB3002SP     | CB W/1.38 LEAD HOLE FOR 37, 39, 307 & 30 | 1.000 EA |
| 09GS1000SP     | GASKET-CONDUIT BOX, 1/16 THICK LEXIDE    | 1.000 EA |
| 10XN2520K12    | 1/4-20 X.75 GRD 5                        | 2.000 EA |
| HW1001A25      | LOCKWASHER 1/4, ZINC PLT .493 OD, .255 I | 2.000 EA |
| WD1000B17      | KPA-8C BURNDY TERMINAL                   | 1.000 EA |
| 11XW1032G06    | 10-32 X .38, TAPTITE II, HEX WSHR SLTD U | 1.000 EA |
| 09EP1100A14SP  | ENDPLATE, MACH                           | 1.000 EA |
| HA4051A00      | PLASTIC CAP FOR GREASE FITTING           | 1.000 EA |
| XY3816A12      | 3/8-16 FINISHED NUT                      | 4.000 EA |
| HW1001A38      | LOCKWASHER 3/8, ZINC PLT .688 OD, .382 I | 4.000 EA |
| HW5100A08      | W3118-035 WVY WSHR (WB)                  | 1.000 EA |
| 10XN2520K28    | 1/4-20 X 1.75" HX HD SCRWGRADE 5, ZINC P | 2.000 EA |
| HW1001A25      | LOCKWASHER 1/4, ZINC PLT .493 OD, .255 I | 2.000 EA |
| 10XN2520K36    | 1/4-20 X 2.25" HX HD SCRWGRADE 5, ZINC P | 4.000 EA |
| HW1001A25      | LOCKWASHER 1/4, ZINC PLT .493 OD, .255 I | 4.000 EA |
| 09EP1101A11SP  | PU ENDPLATE, MACH                        | 1.000 EA |
| HA4051A00      | PLASTIC CAP FOR GREASE FITTING           | 1.000 EA |
| HW4600B44SP    | V-RING SLINGER 1.500 X 2.290 X 0.280     | 1.000 EA |
| HA3113A02      | THRUBOLT 3/8-16 X 16.750                 | 4.000 EA |
| HW1001A38      | LOCKWASHER 3/8, ZINC PLT .688 OD, .382 I | 4.000 EA |

| Parts List (continued) |  |          |
|------------------------|--|----------|
| Part Number            | Description                              | Quantity |
| 09FH4000SP             | FAN COVER, STAMPED                       | 1.000 EA |
| HA2081A05              | SPACER TUBE, 309 FAN HSG, 2.00 LONG      | 4.000 EA |
| XY3816A12              | 3/8-16 FINISHED NUT                      | 4.000 EA |
| HW1001A38              | LOCKWASHER 3/8, ZINC PLT .688 OD, .382 I | 4.000 EA |
| 09CB3501SP             | CONDUIT BOX LID FOR 09CB3001 & 09CB3002  | 1.000 EA |
| 09GS1013SP             | 09 GS FOR 09CB3501 LID - LEXIDE          | 1.000 EA |
| 51XW2520A12            | .25-20 X .75, TAPTITE II, HEX WSHR SLTD  | 2.000 EA |
| HW2505C27              | KEY 8 X 12 MM X 3.125                    | 1.000 EA |
| LB1115                 | LABEL,LIFTING DEVICE                     | 1.000 EA |
| HW4500A05              | 1669B ALEM/UNIV860 GR FTG X              | 1.000 EA |
| HW4500A17              | 317400 ALEMITE GREASE RELIEF             | 1.000 EA |
| HA4001A01SP            | DRAIN PLUG, PLASTIC (MICRO PLAS)         | 1.000 EA |
| MJ1000A75              | GREASE, POLYREX EM EXXON                 | 0.080 LB |
| HW4500A03              | GREASE FITTING, .125 NPT 1610(ALEMITE) 8 | 1.000 EA |
| HW4500A17              | 317400 ALEMITE GREASE RELIEF             | 1.000 EA |
| HA4001A01SP            | DRAIN PLUG, PLASTIC (MICRO PLAS)         | 1.000 EA |
| 09FN3001D01SP          | EXTERNAL FAN, PLASTIC                    | 1.000 EA |
| HW2500A25              | WOODRUFF KEY USA #1008 #BLOW CARBON STEE | 1.000 EA |
| 51XB1214A20            | 12-14X1.25 HXWSSLD SERTYB                | 1.000 EA |
| MG1000Y03              | WILKO 689.710 GOLD PAINT SUPER E         | 0.050 GA |
| 85XU0407S04            | 4X1/4 U DRIVE PIN STAINLESS              | 2.000 EA |
| LB5040                 | INSTRUCTION TAG, AC & DC                 | 1.000 EA |
| LB1119                 | WARNING LABEL                            | 1.000 EA |
| LB1125C02              | SUPER-E (STOCK CTN LABEL SUPER-E WITH FL | 4.000 EA |

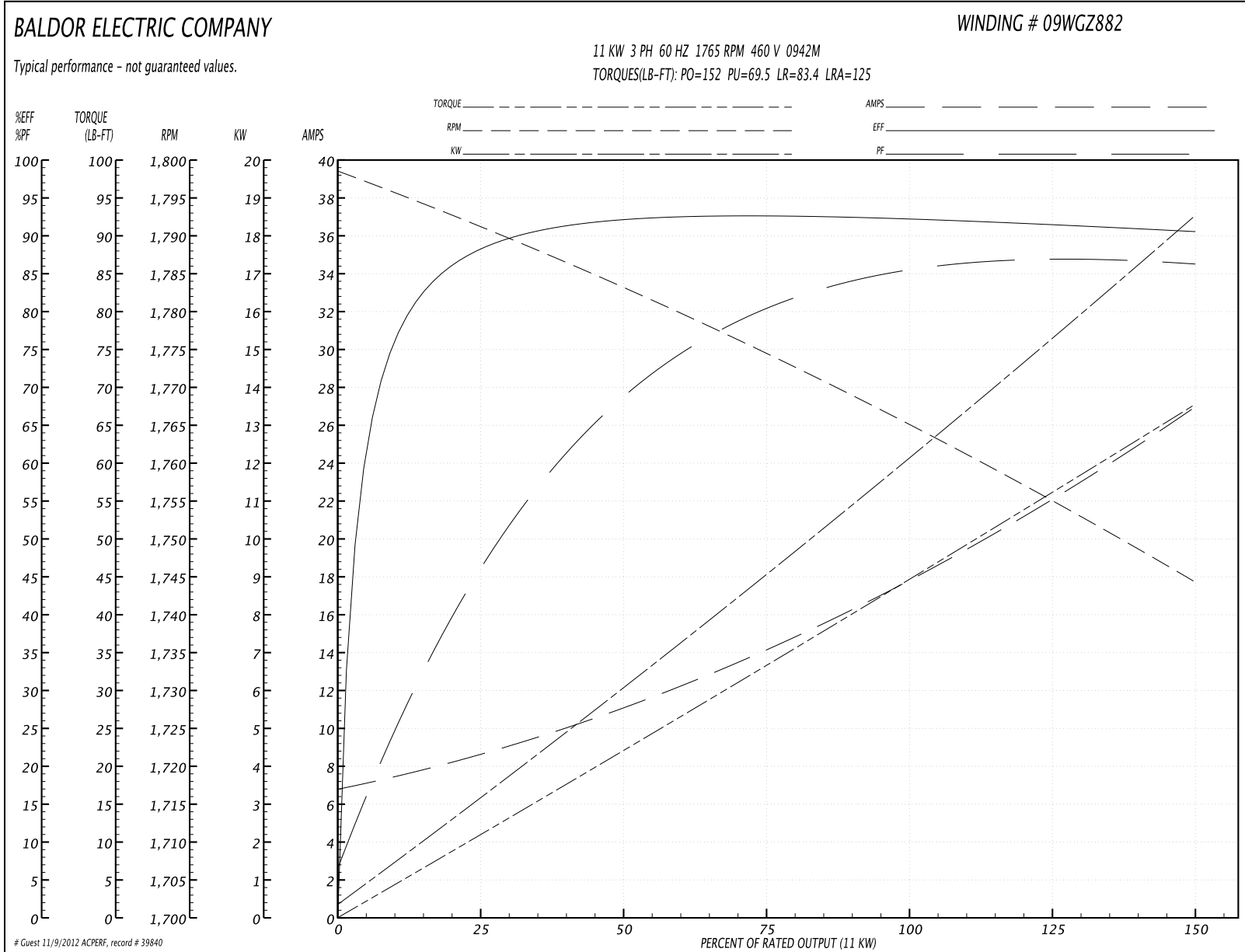
| Parts List (continued) |   |          |
|------------------------|---|----------|
| Part Number            | Description                             | Quantity |
| LB1357                 | ENERGY GUIDE LABEL (BOX LABEL)          | 1.000 SH |
| LC0005                 | CONN.DIA.,TY M,9-LD,DUAL VOLT,REVERSING | 1.000 EA |
| NP1159L                | SS SUPER-E IEC UL CSA CC                | 1.000 EA |
| 09PA1000               | PACKAGING GROUP COMBINED PRINT          | 1.000 EA |

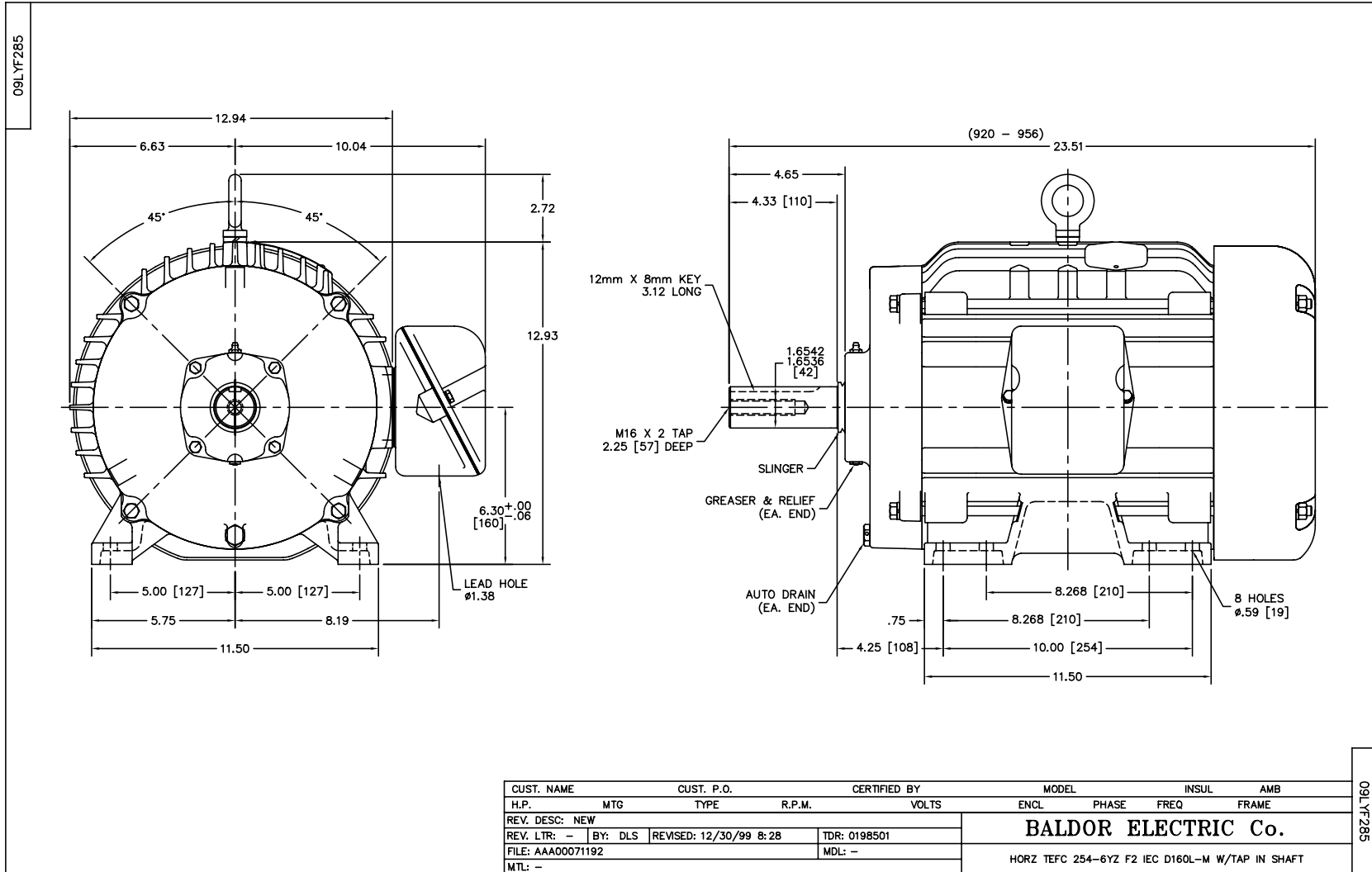
**Performance Data at 460V, 60Hz, 11.0KW (Typical performance - Not guaranteed values)**

| General Characteristics  |                                   |                      |             |
|--------------------------|-----------------------------------|----------------------|-------------|
| Full Load Torque:        | 44.6 LB-FT                        | Start Configuration: | DOL         |
| No-Load Current:         | 7.12 Amps                         | Break-Down Torque:   | 152.0 LB-FT |
| Line-line Res. @ 25°C.:  | 0.60351 Ohms A Ph / 0.0 Ohms B Ph | Pull-Up Torque:      | 69.5 LB-FT  |
| Temp. Rise @ Rated Load: | 58 C                              | Locked-Rotor Torque: | 83.4 LB-FT  |
| Temp. Rise @ S.F. Load:  | 71 C                              | Starting Current:    | 125.0 Amps  |

| Load Characteristics |        |        |        |        |        |        |        |
|----------------------|--------|--------|--------|--------|--------|--------|--------|
| % of Rated Load      | 25     | 50     | 75     | 100    | 125    | 150    | S.F.   |
| Power Factor:        | 49.0   | 71.0   | 79.0   | 83.0   | 87.0   | 87.0   | 86.0   |
| Efficiency:          | 88.1   | 92.1   | 92.6   | 92.4   | 91.7   | 90.6   | 92.0   |
| Speed:               | 1790.9 | 1782.8 | 1774.4 | 1765.5 | 1755.0 | 1744.1 | 1759.0 |
| Line Amperes:        | 8.24   | 10.8   | 14.4   | 18.1   | 22.2   | 26.8   | 20.6   |

Performance Graph at 460V, 60Hz, 11.0KW Typical performance - Not guaranteed values



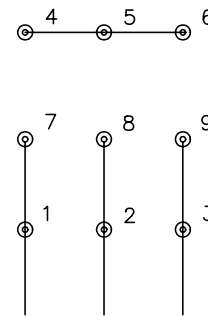




CD0005

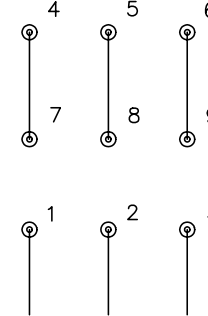


LOW VOLTAGE  
(2Y)



LINE

HIGH VOLTAGE  
(1Y)



LINE

NOTES:

1. INTERCHANGE ANY TWO LINE LEADS TO REVERSE ROTATION.
2. OPTIONAL THERMOSTATS ARE PROVIDED WHEN SPECIFIED.
3. ACTUAL NUMBER OF INTERNAL PARALLEL CIRCUITS MAY BE A MULTIPLE OF THOSE SHOWN ABOVE.
4. LEAD COLORS ARE OPTIONAL. LEADS MUST ALWAYS BE NUMBERED AS SHOWN.

|   |         |                         |              |
|---|---------|-------------------------|--------------|
| REV. DESC: REVISE TO SHOW OPTIONAL COLORS |         |                         |              |
| REV. LTR: E                               | BY: JLP | REVISED: 01/19/99 10:15 | TDR: 0171435 |
| 900000                                    |         | FILE: AAA00005140       | MDL: -       |
|   |         | MTL: -                  |              |

**BALDOR ELECTRIC Co.**

3PH, DV, 9 LEADS

CD0005