

# **BALDOR**® • **RELIANCE**

## **Product Information Packet**

# **EMM3558**

**1.5KW,1755RPM,3PH,60HZ,D90L,3530M,TEFC,B**

Copyright © All product information within this document is subject to Baldor Electric Company copyright © protection, unless otherwise noted.

Part Detail							
Revision:	D	Status:	PRD/A	Change #:		Proprietary:	No
Type:	AC	Prod. Type:	3530M	Elec. Spec:	35WGM494	CD Diagram:	
Enclosure:	TEFC	Mfg Plant:		Mech. Spec:	35Q920	Layout:	
Frame:	D90L	Mounting:	B3	Poles:	04	Created Date:	08-02-2010
Base:	RG	Rotation:	R	Insulation:	F	Eff. Date:	04-20-2012
Leads:	9#18	Literature:		Elec. Diagram:		Replaced By:	
Nameplate NP1407L							
CAT.NO.	EMM3558						
SPEC.	35Q920M494G1						
IEC FRAME	D90L	K.W.				1.5KW	
VOLTS	208-230/460						
AMP	6-5.8/2.9						
RPM	1755	I.P.				54	
HZ	60	PH				3	CL F
SER.F.	1.15	DES				B	CODE L
NEMA-NOM-EFF	86.5	PF				73	
RATING	40C AMB-CONT						
CC	010A	USABLE AT 208V					
DE	6205	ODE				6203	
SER. #							

Parts List		
Part Number	Description	Quantity
SA200624	SA 35Q920M494G1	1.000 EA
RA187935	RA 35Q920M494G1	1.000 EA
34FN3002B01	EXTERNAL FAN, PLASTIC, .637/.639 HUB W/	1.000 EA
S/P107-000-001	SUPER E PROC'S-FS & WS PLTS-POLYREX EM G	1.000 EA
NS2512A01	INSULATOR, CONDUIT BOX X	1.000 EA
35CB3008A19	35 CB M20 X 2.5 TAP @ 6:00	1.000 EA
36GS1000SP	GASKET-CONDUIT BOX, .06 THICK #SV-330 LE	1.000 EA
51XB1016A07	10-16 X 7/16 HXWSSLD SERTYB	2.000 EA
11XW1032G06	10-32 X .38, TAPTITE II, HEX WSHR SLTD U	1.000 EA
35EP3100M01	FREP TEFC 203 BRG W/GRSR (RAISED FH PADS	1.000 EA
HW4500A01	1641B(ALEMITE)400 UNIV, GREASE FITT	1.000 EA
HW5100A03SP	WAVY WASHER (W1543-017)	1.000 EA
35EP3101A01SP	STD PU EP-ENCLOSED-205 BRG-W/GREASER	1.000 EA
HW4500A01	1641B(ALEMITE)400 UNIV, GREASE FITT	1.000 EA
XY1032A02	10-32 HEX NUT DIRECTIONAL SERRATION	4.000 EA
51XB1214A16	12-14X1.00 HXWSSLD SERTYB	1.000 EA
35FH4005A84SP	IEC FH W/GRSR, NO DIMPLES W/AUTOPHERETIC	1.000 EA
51XW1032A06	10-32 X .38, TAPTITE II, HEX WSHR SLTD S	3.000 EA
35CB4521GX	CONDUIT BOX LID KIT	1.000 EA
51XW0832A07	8-32 X .44, TAPTITE II, HEX WSHR SLTD SE	4.000 EA
HW2505A12	KEY, 8 X 7 MM 1.25 INCHES	1.000 EA
85XU0407S04	4X1/4 U DRIVE PIN STAINLESS	2.000 EA
MJ1000A75	GREASE, POLYREX EM EXXON	0.050 LB
MG1000Y03	WILKO 689.710 GOLD PAINT SUPER E	0.017 GA

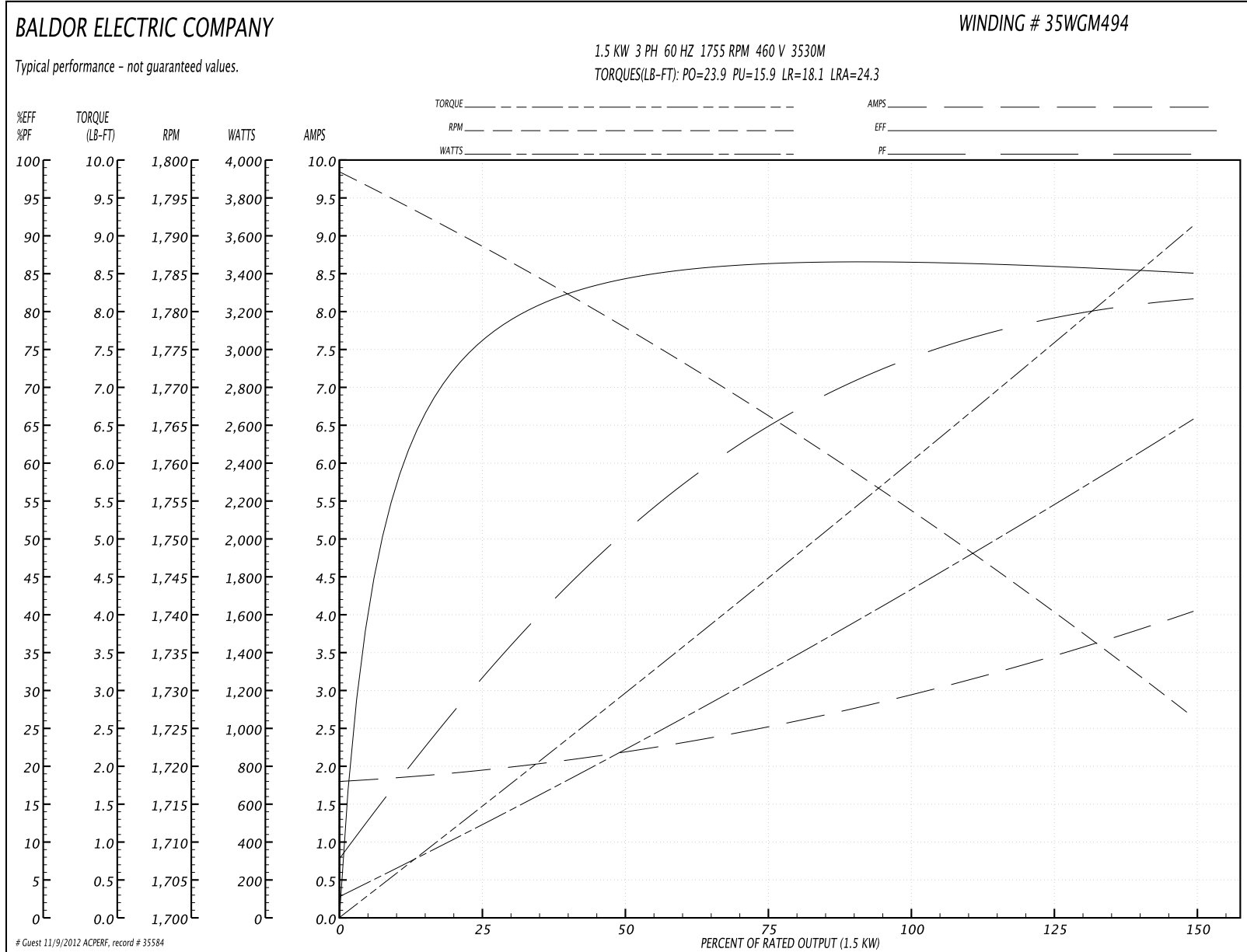
Parts List (continued)		
Part Number	Description	Quantity
HA3100A22	THRUBOLT 10-32 X 10.125	4.000 EA
LB1119	WARNING LABEL	1.000 EA
LC0005	CONN.DIA.,TY M,9-LD,DUAL VOLT,REVERSING	1.000 EA
LB1125C02	SUPER-E (STOCK CTN LABEL SUPER-E WITH FL	1.000 EA
LB1357	ENERGY GUIDE LABEL (BOX LABEL)	1.000 SH
LB5040	INSTRUCTION TAG, AC & DC	1.000 EA
NP1407L	ALUM IEC UL CSA CE CC	1.000 EA
36PA1000	PACK GROUP W/LB5001	1.000 EA

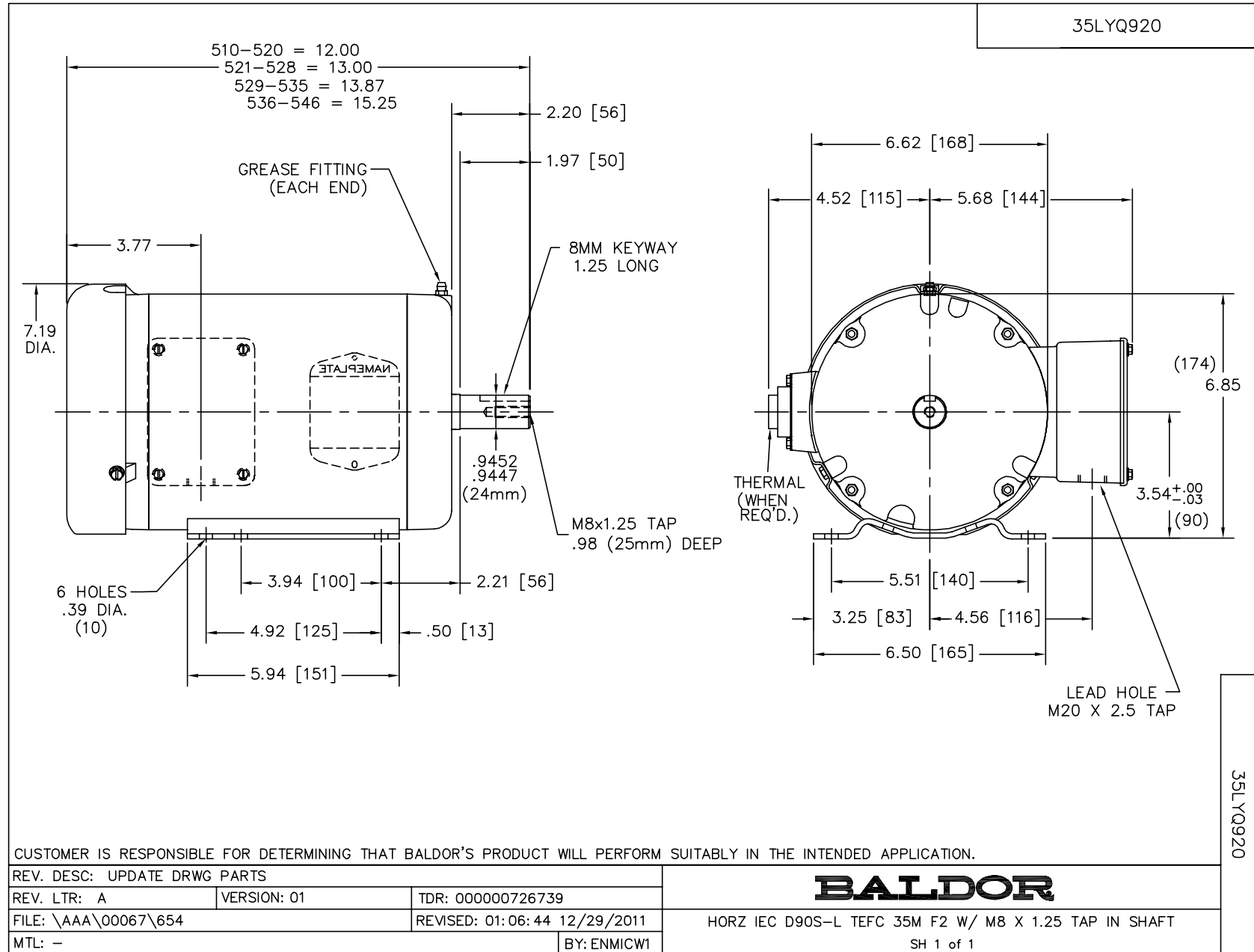
**Performance Data at 460V, 60Hz, 1.5KW (Typical performance - Not guaranteed values)**

General Characteristics			
Full Load Torque:	5.99 LB-FT	Start Configuration:	DOL
No-Load Current:	1.82 Amps	Break-Down Torque:	23.9 LB-FT
Line-line Res. @ 25°C.:	7.42 Ohms A Ph / 0.0 Ohms B Ph	Pull-Up Torque:	15.9 LB-FT
Temp. Rise @ Rated Load:	61 C	Locked-Rotor Torque:	18.1 LB-FT
Temp. Rise @ S.F. Load:	73 C	Starting Current:	24.3 Amps

Load Characteristics							
% of Rated Load	25	50	75	100	125	150	S.F.
Power Factor:	32.0	51.0	64.0	73.0	79.0	82.0	77.0
Efficiency:	75.8	83.9	86.4	86.6	86.2	85.0	86.4
Speed:	1788.0	1778.0	1767.0	1754.0	1741.0	1726.0	1746.0
Line Amperes:	1.92	2.17	2.51	2.95	3.47	4.03	3.26

Performance Graph at 460V, 60Hz, 1.5KW Typical performance - Not guaranteed values

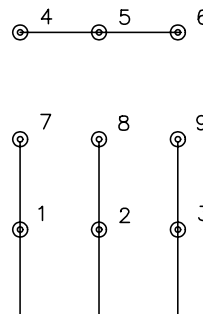




CD0005

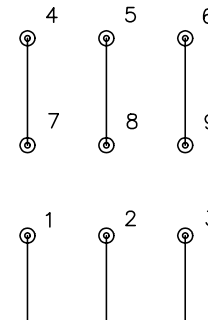


LOW VOLTAGE  
(2Y)



LINE

HIGH VOLTAGE  
(1Y)



LINE

NOTES:

1. INTERCHANGE ANY TWO LINE LEADS TO REVERSE ROTATION.
2. OPTIONAL THERMOSTATS ARE PROVIDED WHEN SPECIFIED.
3. ACTUAL NUMBER OF INTERNAL PARALLEL CIRCUITS MAY BE A MULTIPLE OF THOSE SHOWN ABOVE.
4. LEAD COLORS ARE OPTIONAL. LEADS MUST ALWAYS BE NUMBERED AS SHOWN.

REV. DESC: REVISE TO SHOW OPTIONAL COLORS			
REV. LTR: E	BY: JLP	REVISED: 01/19/99 10:15	TDR: 0171435
90000		FILE: AAA00005140	MDL: -
		MTL: -	

**BALDOR ELECTRIC Co.**

3PH, DV, 9 LEADS

CD0005