

# **BALDOR**® • *RELIANCE*

## **Product Information Packet**

# **EMM3559**

**2.2KW,3450RPM,3PH,60HZ,D90L,3540M,TEFC,B**

Copyright © All product information within this document is subject to Baldor Electric Company copyright © protection, unless otherwise noted.

Part Detail							
Revision:	D	Status:	PRD/A	Change #:		Proprietary:	No
Type:	AC	Prod. Type:	3540M	Elec. Spec:	35WGQ130	CD Diagram:	
Enclosure:	TEFC	Mfg Plant:		Mech. Spec:	35Q920	Layout:	
Frame:	D90L	Mounting:	B3	Poles:	02	Created Date:	03-19-2010
Base:	RG	Rotation:	R	Insulation:	F	Eff. Date:	04-20-2012
Leads:	9#18	Literature:		Elec. Diagram:		Replaced By:	
Nameplate NP1159E							
CAT.NO.	EMM3559						
SPEC.	35Q920Q130G1						
IEC FRAME	D90L	KW				2.2KW	
VOLTS	208-230/460						
AMP	7.7-7/3.5						
RPM	3450	ENCL				TEFC	
HZ	60	PH				3	CL F
SER.F.	1.15	DES				B	CODE M
NEMA-NOM-EFF	87.5	I.P.					
RATING	40C AMB-CONT						
CC	010A	USABLE AT 208V					
DE	6205	ODE				6203	
SER. #							

Parts List		
Part Number	Description	Quantity
SA192482	SA 35Q920Q130G1	1.000 EA
RA180127	RA 35Q920Q130G1	1.000 EA
34FN3002B01	EXTERNAL FAN, PLASTIC, .637/.639 HUB W/	1.000 EA
S/P107-000-001	SUPER E PROC'S-FS & WS PLTS-POLYREX EM G	1.000 EA
NS2512A01	INSULATOR, CONDUIT BOX X	1.000 EA
35CB3008A19	35 CB M20 X 2.5 TAP @ 6:00	1.000 EA
36GS1000SP	GASKET-CONDUIT BOX, .06 THICK #SV-330 LE	1.000 EA
51XB1016A07	10-16 X 7/16 HXWSSLD SERTYB	2.000 EA
11XW1032G06	10-32 X .38, TAPTITE II, HEX WSHR SLTD U	1.000 EA
35EP3100M01	FREP TEFC 203 BRG W/GRSR (RAISED FH PADS	1.000 EA
HW4500A01	1641B(ALEMITE)400 UNIV, GREASE FITT	1.000 EA
HW5100A03SP	WAVY WASHER (W1543-017)	1.000 EA
35EP3101A01SP	STD PU EP-ENCLOSED-205 BRG-W/GREASER	1.000 EA
HW4500A01	1641B(ALEMITE)400 UNIV, GREASE FITT	1.000 EA
XY1032A02	10-32 HEX NUT DIRECTIONAL SERRATION	4.000 EA
51XB1214A16	12-14X1.00 HXWSSLD SERTYB	1.000 EA
35FH4005A84SP	IEC FH W/GRSR, NO DIMPLES W/AUTOPHERETIC	1.000 EA
51XW1032A06	10-32 X .38, TAPTITE II, HEX WSHR SLTD S	3.000 EA
35CB4521	35 LIPPED CB LID (GALV & PHOSPH)	1.000 EA
35GS1030	35 GS FOR CB LID - LEXIDE	1.000 EA
51XW0832A07	8-32 X .44, TAPTITE II, HEX WSHR SLTD SE	4.000 EA
HW2505A12	KEY, 8 X 7 MM 1.25 INCHES	1.000 EA
85XU0407S04	4X1/4 U DRIVE PIN STAINLESS	2.000 EA
MJ1000A75	GREASE, POLYREX EM EXXON	0.050 LB

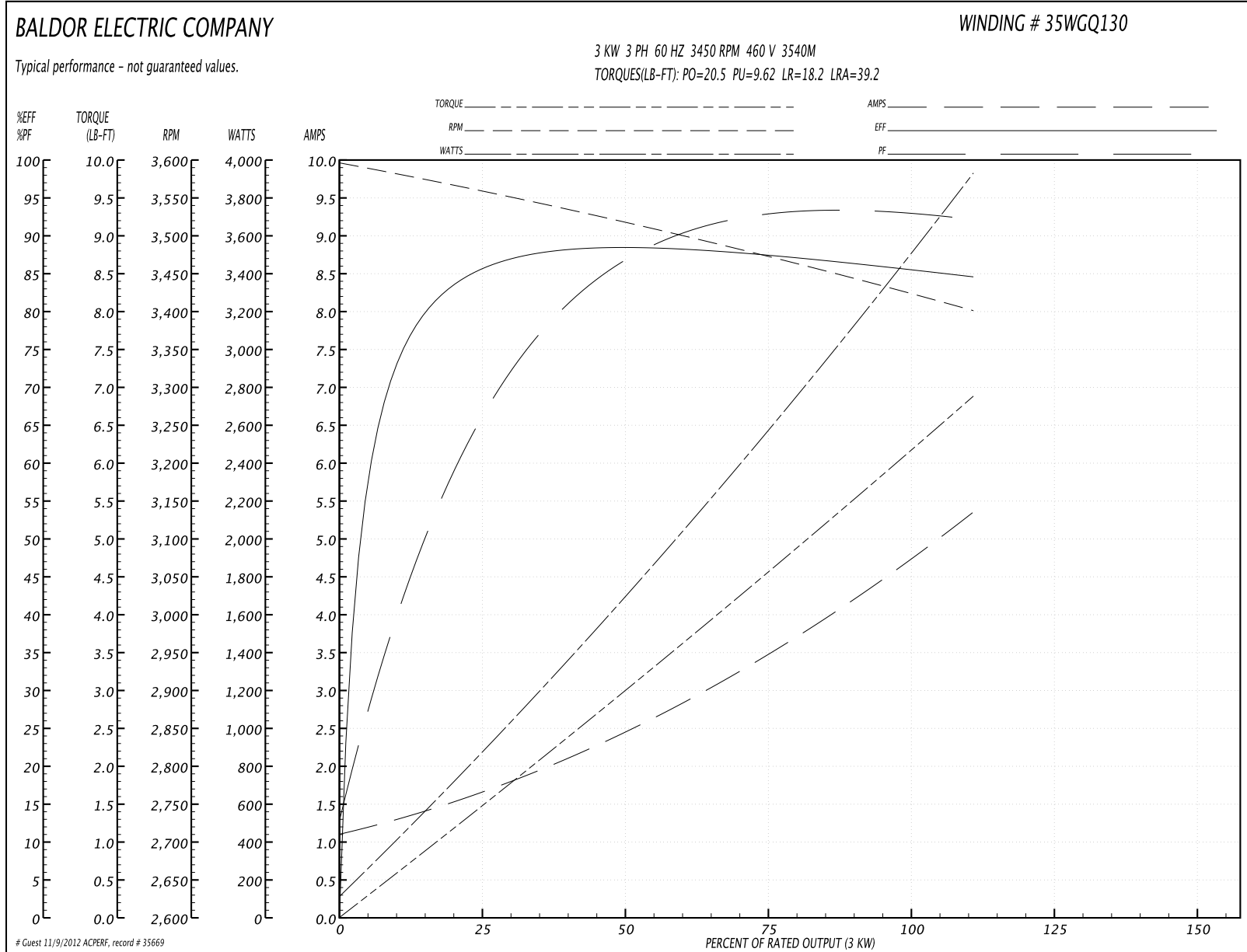
Parts List (continued)		
Part Number	Description	Quantity
MG1000Y03	WILKO 689.710 GOLD PAINT SUPER E	0.017 GA
HA3100A26	THRUBOLT 10-32 X 11.500	4.000 EA
LB1357	ENERGY GUIDE LABEL (BOX LABEL)	1.000 SH
LB1125C02	SUPER-E (STOCK CTN LABEL SUPER-E WITH FL	1.000 EA
LC0005E01	CONN.DIA./WARNING LABEL (LC0005/LB1119)	1.000 EA
NP1159E	SS SUPER-E IEC UL CSA CC	1.000 EA
36PA1000	PACK GROUP W/LB5001	1.000 EA
LB5040	INSTRUCTION TAG, AC & DC	1.000 EA

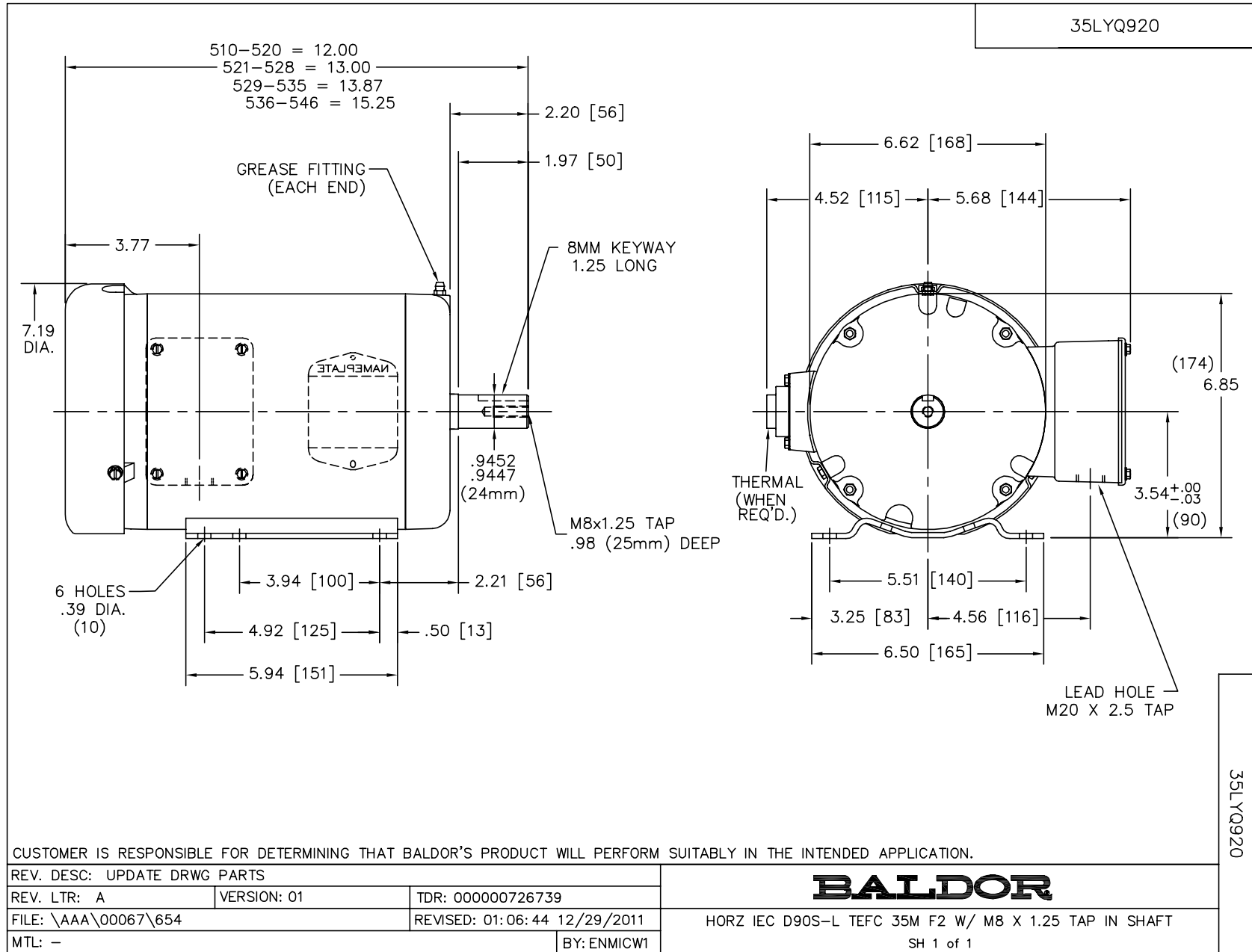
**Performance Data at 460V, 60Hz, 3.0KW (Typical performance - Not guaranteed values)**

General Characteristics			
Full Load Torque:	4.59 LB-FT	Start Configuration:	DOL
No-Load Current:	1.14 Amps	Break-Down Torque:	20.5 LB-FT
Line-line Res. @ 25°C.:	4.05 Ohms A Ph / 0.0 Ohms B Ph	Pull-Up Torque:	9.62 LB-FT
Temp. Rise @ Rated Load:	58 C	Locked-Rotor Torque:	18.2 LB-FT
Temp. Rise @ S.F. Load:	69 C	Starting Current:	39.2 Amps

Load Characteristics							
% of Rated Load	25	50	75	100	125	150	S.F.
Power Factor:	60.0	81.0	89.0	92.0	93.0	93.0	93.0
Efficiency:	82.8	87.9	88.2	87.6	86.4	84.5	86.9
Speed:	3564.0	3536.0	3506.0	3474.0	3439.0	3399.0	3453.0
Line Amperes:	1.46	2.04	2.74	3.53	4.38	5.34	4.04

Performance Graph at 460V, 60Hz, 3.0KW Typical performance - Not guaranteed values





CD0005



LOW VOLTAGE  
(2Y)



LINE

HIGH VOLTAGE  
(1Y)



LINE

NOTES:

1. INTERCHANGE ANY TWO LINE LEADS TO REVERSE ROTATION.
2. OPTIONAL THERMOSTATS ARE PROVIDED WHEN SPECIFIED.
3. ACTUAL NUMBER OF INTERNAL PARALLEL CIRCUITS MAY BE A MULTIPLE OF THOSE SHOWN ABOVE.
4. LEAD COLORS ARE OPTIONAL. LEADS MUST ALWAYS BE NUMBERED AS SHOWN.

REV. DESC: REVISE TO SHOW OPTIONAL COLORS			
REV. LTR: E	BY: JLP	REVISED: 01/19/99 10:15	TDR: 0171435
900000		FILE: AAA00005140	MDL: -
		MTL: -	

**BALDOR ELECTRIC Co.**

3PH, DV, 9 LEADS

CD0005