

BALDOR® • **RELIANCE**

Product Information Packet

ERHM3162TA

5HP,3450RPM,3PH,60HZ,145TY,3540M,OPEN,F1

Copyright © All product information within this document is subject to Baldor Electric Company copyright © protection, unless otherwise noted.

Part Detail									
Revision:	D	Status:	PRD/A	Change #:		Proprietary:	No		
Type:	AC	Prod. Type:	3540M	Elec. Spec:	35WGM541	CD Diagram:			
Enclosure:	OPEN	Mfg Plant:		Mech. Spec:	35J829	Layout:			
Frame:	145TY	Mounting:	F1	Poles:	02	Created Date:	08-05-2010		
Base:	RS	Rotation:	R	Insulation:	F	Eff. Date:	06-28-2012		
Leads:	12#18	Literature:		Elec. Diagram:		Replaced By:			
Nameplate NP2601L									
CAT.NO.	ERHM3162TA								
SPEC.	35J829M541G1								
HP	5								
VOLTS	208-230/460								
AMP	13-12.2/6.1								
RPM	3450								
FRAME	145TY	HZ	60			PH	3		
SER.F.	1.15	CODE	L			DES	A	CL	F
NEMA-NOM-EFF	86.5	PF	89						
RATING	40C AMB-CONT								
CC	010A	USABLE AT 208V							
DE	6205	ODE	6203						
ENCL	OPEN	SN							

Parts List		
Part Number	Description	Quantity
SA200895	SA 35J829M541G1	1.000 EA
RA188205	RA 35J829M541G1	1.000 EA
S/P107-000-001	SUPER E PROC'S-FS & WS PLTS-POLYREX EM G	1.000 EA
11XT0832G06	8-32 X 3/8 TY 23 TAPPING	1.000 EA
35EP3202A01	STD OPEN FR EP - RESILIENT MTD	1.000 EA
RM1000A02SP	CUSHION RING, MODEL 35 SAME AS A07	1.000 EA
HA6005A01A	CLAMP CUSHION RING ASSY 35 FRAME	1.000 EA
LD5000A01	LEAD ASSY, ML1400DF14 W/(2) #10 RING 7"	1.000 EA
51XW1032A06	10-32 X .38, TAPTITE II, HEX WSHR SLTD S	2.000 EA
HW1003A10	WASHER, #10 EX TH LK, ZN X	2.000 EA
SP1003A01	TERM. BOARD, MODE 35 SW X H-23655	1.000 EA
51XW0832A07	8-32 X .44, TAPTITE II, HEX WSHR SLTD SE	2.000 EA
WD4100A01	DP-875 HEYCO PLUG OR 62MP0875 MICRO PLAS	1.000 EA
HW5100A03SP	WAVY WASHER (W1543-017)	1.000 EA
35EP1209A01	PU ENDPLATE, MACH	1.000 EA
XY1032A02	10-32 HEX NUT DIRECTIONAL SERRATION	4.000 EA
RM1000A02SP	CUSHION RING, MODEL 35 SAME AS A07	1.000 EA
HA6005A01A	CLAMP CUSHION RING ASSY 35 FRAME	1.000 EA
35CB4500SP	TERMINAL BOX LID STAMPED	1.000 EA
51XW0832A07	8-32 X .44, TAPTITE II, HEX WSHR SLTD SE	2.000 EA
HW2501D13SP	KEY, 3/16 SQ X 1.375	1.000 EA
HA7000A01	KEY RETAINER 7/8" DIA SHAFT	1.000 EA
85XU0407S04	4X1/4 U DRIVE PIN STAINLESS	2.000 EA
MJ1000A75	GREASE, POLYREX EM EXXON	0.050 LB

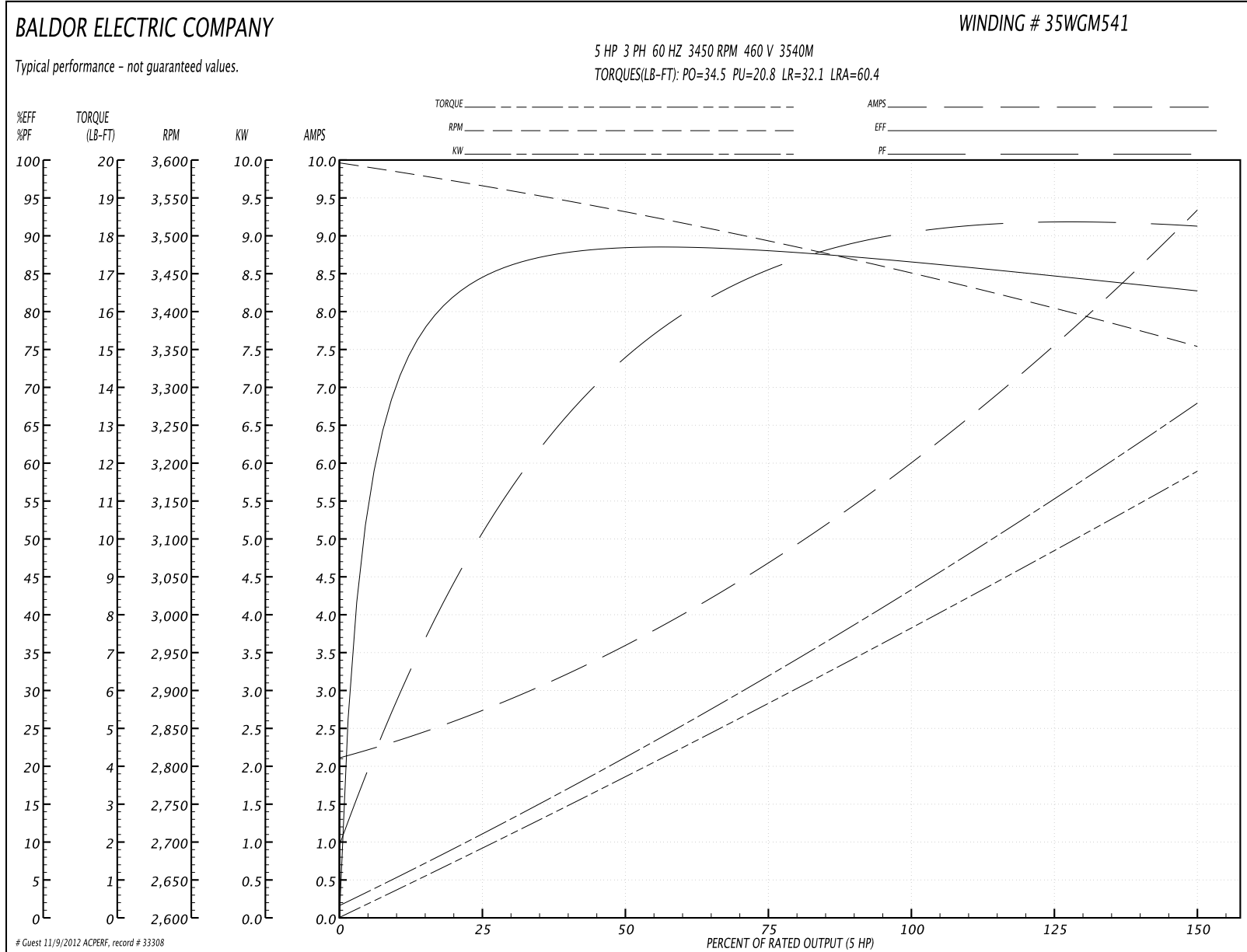
Parts List (continued)		
Part Number	Description	Quantity
MG1000Y03	WILKO 689.710 GOLD PAINT SUPER E	0.017 GA
HA3100A26	THRUBOLT 10-32 X 11.500	4.000 EA
35BA4002J01	RESILIENT BASE, STAMPED	1.000 EA
LB5040	INSTRUCTION TAG, AC & DC	1.000 EA
LB1118	LABEL,WARNING (ROLL LABEL)	1.000 EA
LB1125C02	SUPER-E (STOCK CTN LABEL SUPER-E WITH FL	1.000 EA
LC0007	CONN.DIAGRAM (3PHASE W/THERMAL)	1.000 EA
NP2601L	ALUM SUPER-E UL CSA-EEV PREM CC THERMAL	1.000 EA
27PA1001	PACKAGING GROUP	1.000 EA
LB1357	ENERGY GUIDE LABEL (BOX LABEL)	1.000 SH

Performance Data at 460V, 60Hz, 5.0HP (Typical performance - Not guaranteed values)

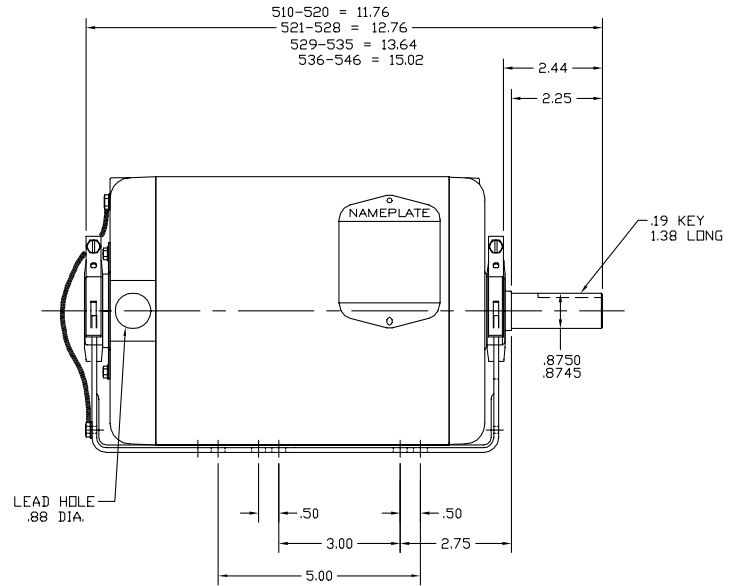
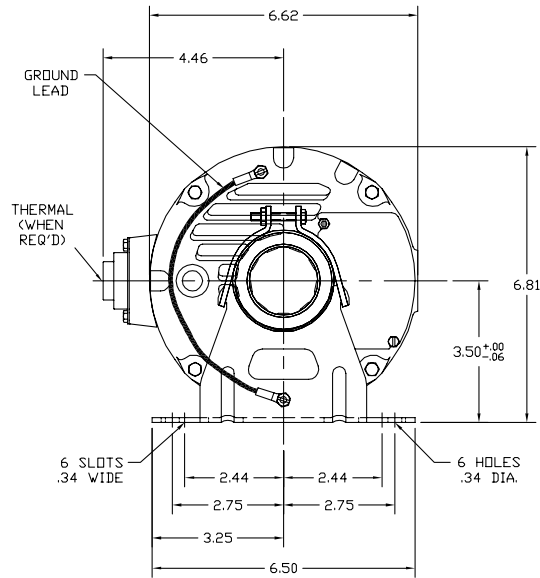
General Characteristics			
Full Load Torque:	7.65 LB-FT	Start Configuration:	DOL
No-Load Current:	2.21 Amps	Break-Down Torque:	34.5 LB-FT
Line-line Res. @ 25°C.:	2.9908 Ohms A Ph / 0.0 Ohms B Ph	Pull-Up Torque:	20.8 LB-FT
Temp. Rise @ Rated Load:	56 C	Locked-Rotor Torque:	32.1 LB-FT
Temp. Rise @ S.F. Load:	71 C	Starting Current:	60.4 Amps

Load Characteristics							
% of Rated Load	25	50	75	100	125	150	S.F.
Power Factor:	54.0	76.0	85.0	89.0	91.0	92.0	90.0
Efficiency:	84.6	88.5	88.4	87.0	85.1	82.6	85.9
Speed:	3564.0	3530.2	3492.9	3452.0	3405.9	3352.7	3424.0
Line Amperes:	2.62	3.53	4.75	6.1	7.57	9.29	6.98

Performance Graph at 460V, 60Hz, 5.0HP Typical performance - Not guaranteed values



35LYJ829



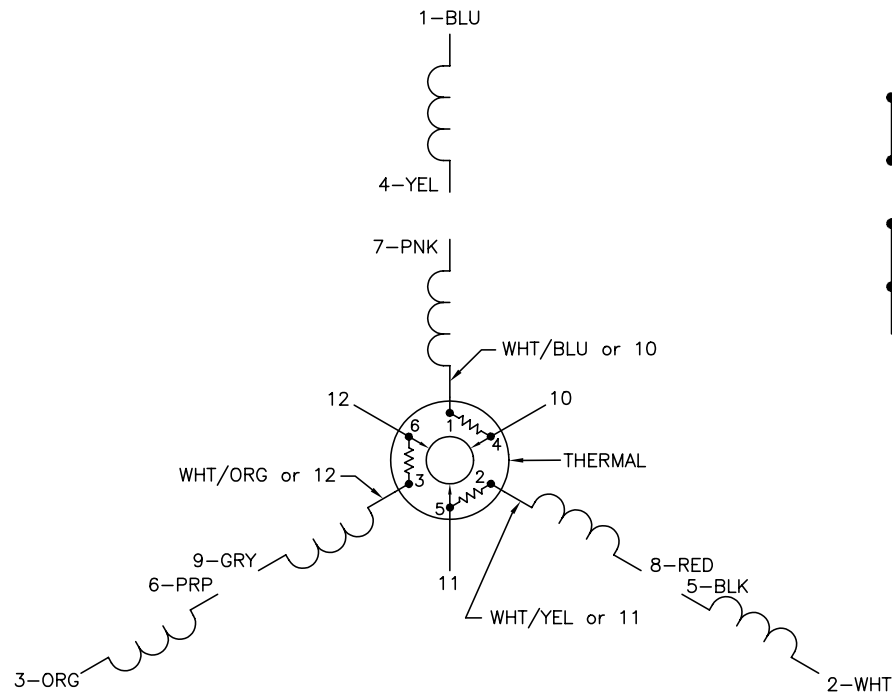
35LYJ829

CUSTOMER IS RESPONSIBLE FOR DETERMINING THAT BALDOR'S PRODUCT WILL PERFORM SUITABLY IN THE INTENDED APPLICATION.

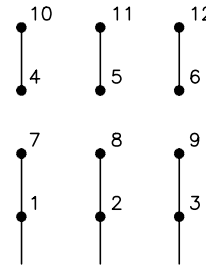
REV. DESC: CHANGED FRAME DISCRPTION TO 143-5TY W/56HZ	VERSION: 01	TDR: 000000547795
REV. LTR: C	REVISED: 10: 37:14 07/07/2010	BY: ENJERWO
FILE: \AAA\00014\320		
MTL: -		

BALDOR • DODGE • RELIANCE
SPL HORZ 35M 143-5TY/56HZ OPEN RESIL MTD W/TERM PLATE
SH 1 of 1

CD0007

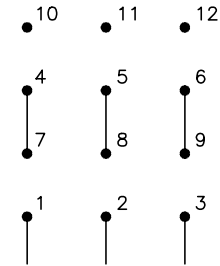


LOW VOLTAGE
(2Y)



LINE

HIGH VOLTAGE
(1Y)



LINE

NOTES:

1. INTERCHANGE ANY TWO LINE LEADS TO REVERSE ROTATION.
2. ACTUAL NUMBER OF INTERNAL PARALLEL CIRCUITS MAY VARY.
3. LEAD COLORS ARE OPTIONAL. LEADS MUST ALWAYS BE NUMBERED AS SHOWN.

REV. DESC: ADDED "CK" PLANT CODE			
REV. LTR: E	BY: EAH	REVISED: 05/06/99 17:1	TDR: 0181040
L00000		FILE: AAA00008370	MDL: -
		MTL: -	

BALDOR ELECTRIC Co.

3PH, DV, THERMAL, 12 LEADS

CD0007