

BALDOR® • RELIANCE

Product Information Packet

WALKER INDUSTRIAL PRODUCTS, INC.

ERM3108

.5HP, 1725RPM, 3PH, 60HZ, 56, 3424M, OPEN, F1, N

Part Detail							
Revision:	-	Status:	PRD/A	Change #:		Proprietary:	No
Type:	AC	Prod. Type:	3424M	Elec. Spec:	34WGX110	CD Diagram:	CD0005
Enclosure:	OPEN	Mfg Plant:		Mech. Spec:	34-1237	Layout:	34LY1237
Frame:	56	Mounting:	F1	Poles:	04	Created Date:	10-06-2014
Base:	RS	Rotation:	R	Insulation:	B	Eff. Date:	10-22-2014
Leads:	9#18					Replaced By:	
Literature:		Elec. Diagram:					

Nameplate NP3155L							
CAT.NO.	ERM3108						
SPEC.	34-1237X110G1						
HP	.5						
VOLTS	230/460						
AMP	1.6/.8						
RPM	1725						
FRAME	56	HZ	60	PH	3		
SER.F.	1.25	CODE	J	DES	B	CL	B
F.L. AVG. EFF.	78.2	PF	78				
RATING	40C AMB-CONT						
CC		USABLE AT 208V	2.1				
DE	6203	ODE	6203				
ENCL	OPEN	SN					
	SFA 2/1						

AC Induction Motor Performance Data

Record # 47467 - Typical performance - not guaranteed values

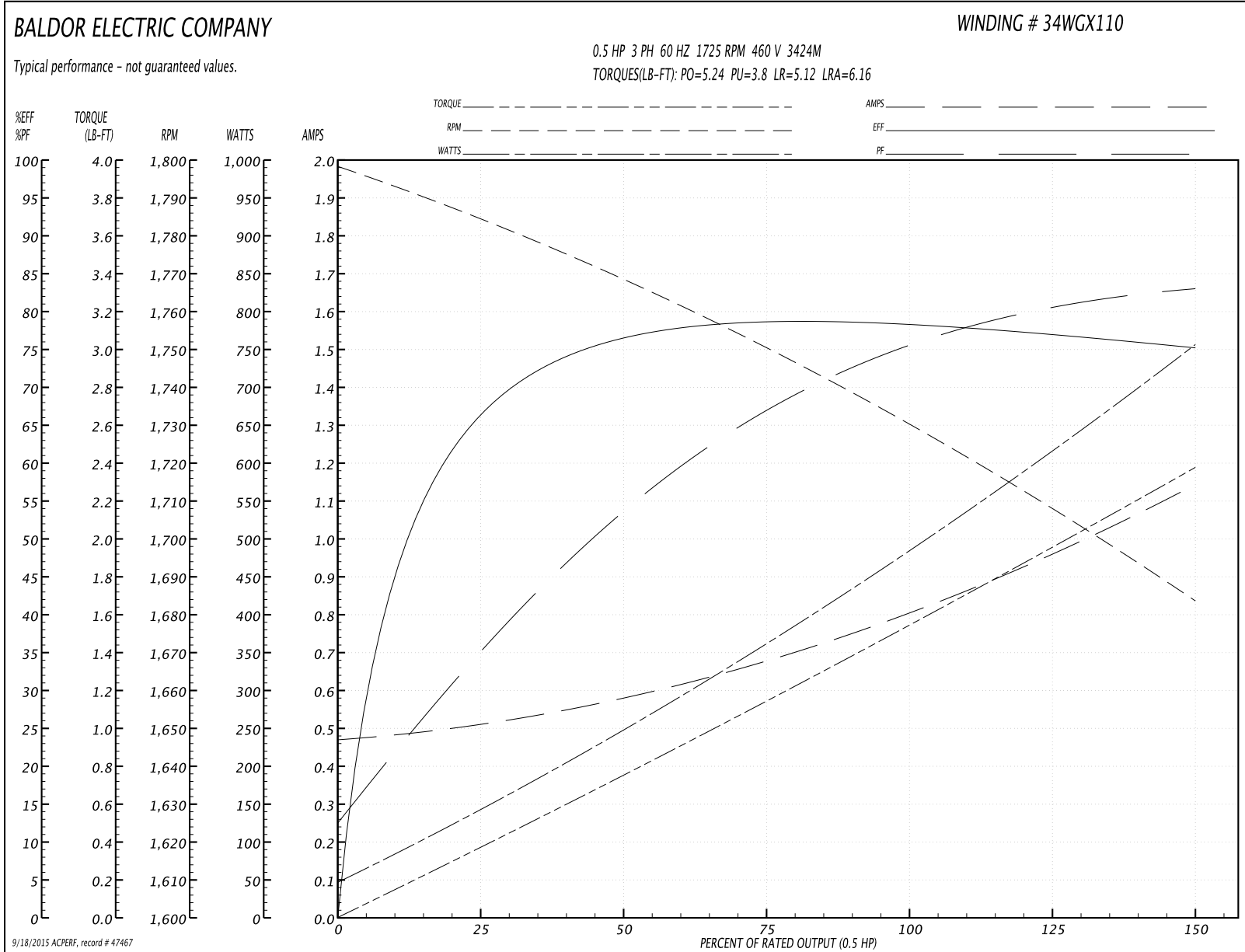
Winding: 34WGX110-R011	Type: 3424M	Enclosure: OPEN
-------------------------------	--------------------	------------------------

Nameplate Data				460 V, 60 Hz: High Voltage Connection	
Rated Output (HP)	.5			Full Load Torque	1.57 LB-FT
Volts	230/460			Start Configuration	direct on line
Full Load Amps	1.6/.8			Breakdown Torque	5.24 LB-FT
R.P.M.	1725			Pull-up Torque	3.8 LB-FT
Hz	60	Phase	3	Locked-rotor Torque	5.12 LB-FT
NEMA Design Code	B	KVA Code	J	Starting Current	6.16 A
Service Factor (S.F.)	1.25			No-load Current	0.474 A
NEMA Nom. Eff.	78.2	Power Factor	78	Line-line Res. @ 25°C	30.994 Ω
Rating - Duty	40C AMB-CONT			Temp. Rise @ Rated Load	25°C
S.F. Amps	2/1			Temp. Rise @ S.F. Load	34°C
				Rotor inertia	0.0572 LB-FT ²

Load Characteristics 460 V, 60 Hz, 0.5 HP

% of Rated Load	25	50	75	100	125	150	S.F.
Power Factor	38	55	68	76	80	83	80
Efficiency	67.3	76.6	78.9	78.7	77.2	74.9	77.2
Speed	1782.6	1766.4	1749.5	1729.5	1707.4	1683.2	1707
Line amperes	0.509	0.586	0.687	0.815	0.971	1.14	0.971

Performance Graph at 460V, 60Hz, 0.5HP Typical performance - Not guaranteed values



AC Induction Motor Performance Data

Record # 49381 - Typical performance - not guaranteed values

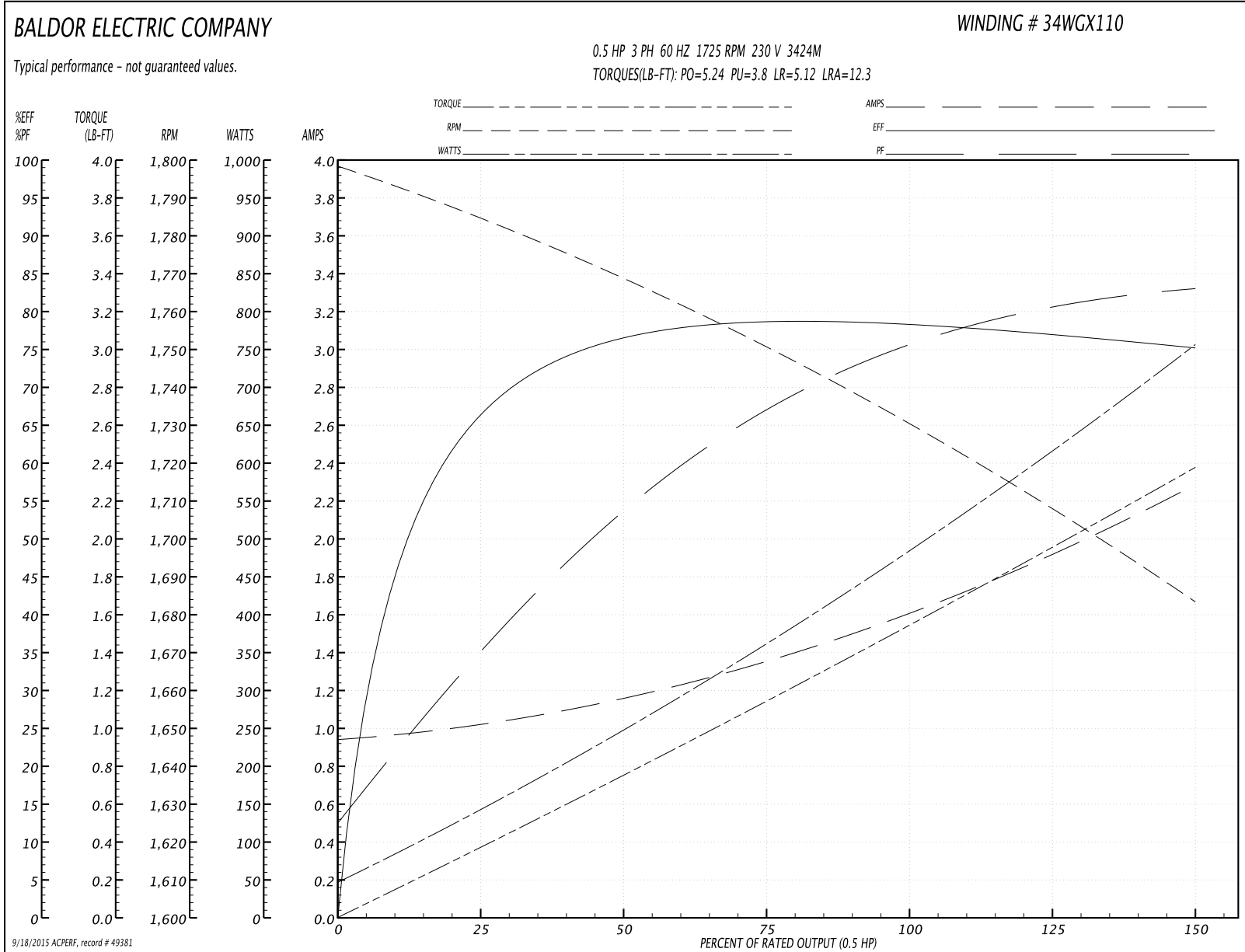
Winding: 34WGX110-R011	Type: 3424M	Enclosure: OPEN
-------------------------------	--------------------	------------------------

Nameplate Data				230 V, 60 Hz: Low Voltage Connection	
Rated Output (HP)	.5			Full Load Torque	1.57 LB-FT
Volts	230/460			Start Configuration	direct on line
Full Load Amps	1.6/.8			Breakdown Torque	5.24 LB-FT
R.P.M.	1725			Pull-up Torque	3.8 LB-FT
Hz	60	Phase	3	Locked-rotor Torque	5.12 LB-FT
NEMA Design Code	B	KVA Code	J	Starting Current	12.3 A
Service Factor (S.F.)	1.25			No-load Current	0.948 A
NEMA Nom. Eff.	78.2	Power Factor	78	Line-line Res. @ 25°C	7.28 Ω
Rating - Duty	40C AMB-CONT			Temp. Rise @ Rated Load	25°C
S.F. Amps	2/1			Temp. Rise @ S.F. Load	31°C
				Rotor inertia	0.0572 LB-FT ²

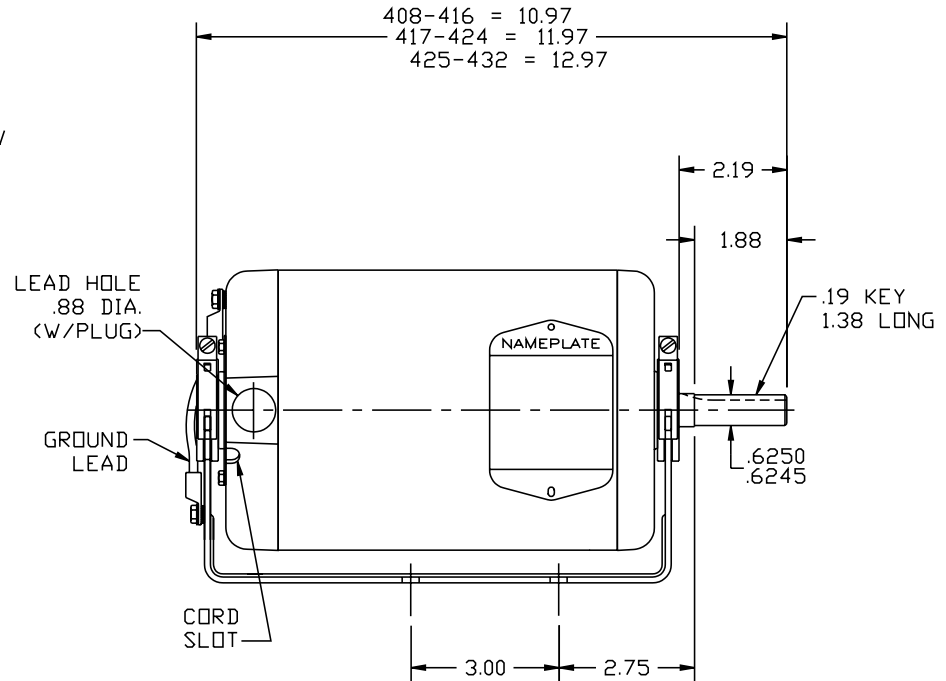
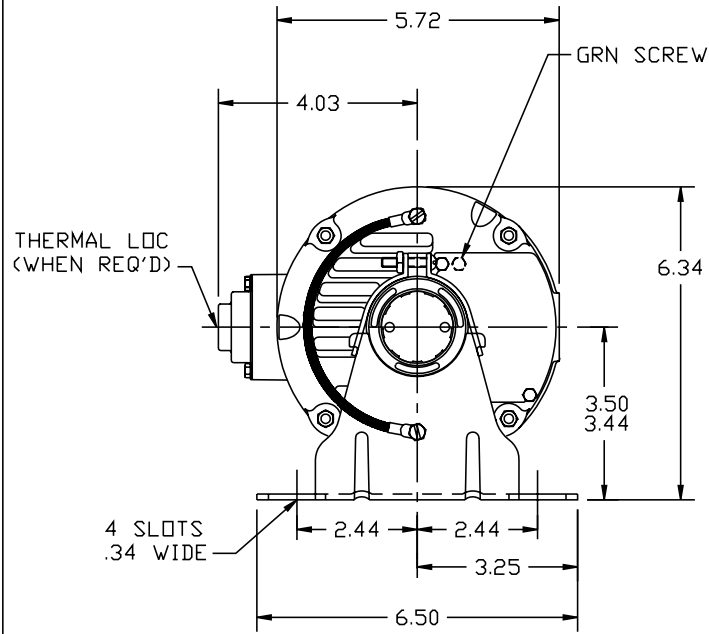
Load Characteristics 230 V, 60 Hz, 0.5 HP

% of Rated Load	25	50	75	100	125	150	S.F.
Power Factor	37	56	68	76	80	83	80
Efficiency	67.5	76.4	78.6	78.6	77.1	75.1	77.1
Speed	1783	1766	1750	1730	1707	1683	1707
Line amperes	1.02	1.17	1.37	1.63	1.94	2.28	1.94

Performance Graph at 230V, 60Hz, 0.5HP Typical performance - Not guaranteed values



34-1237



CUST. NAME	CUST. P.O.	CERTIFIED BY	MODEL	INSUL	AMB
H.P.	MTG	TYPE	R.P.M.	VOLTS	ENCL PHASE
FREQ			FRAME		

REMARKS:

REV: C MOVED TO ACAD

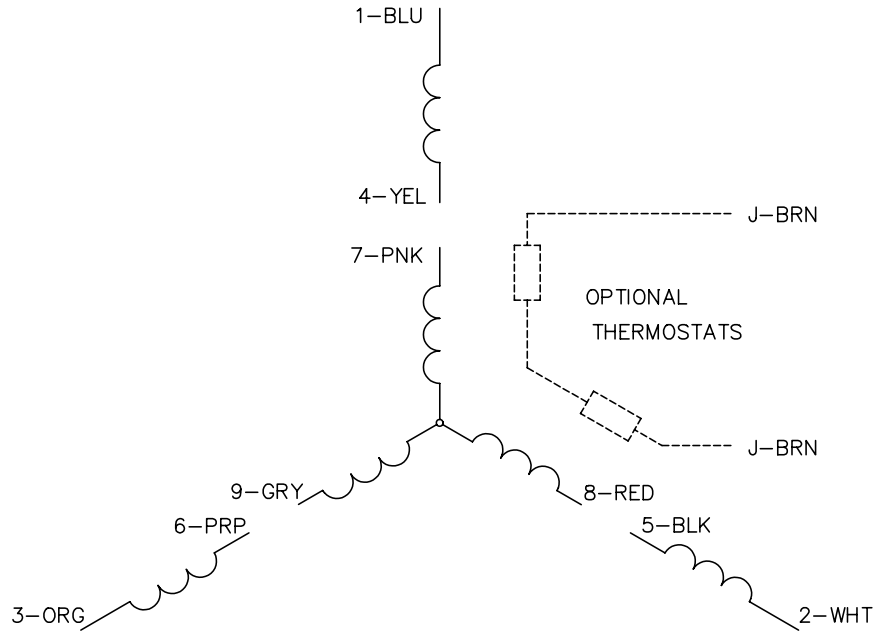
34-1237	REF: 34-1252	BY: MW	REVISED: 01/13/96
	FILE: AAA00026676		TDR: 0087130

BALDOR ELECTRIC Co.

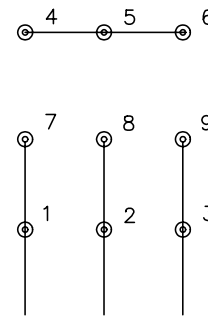
STD RESIL MTD MODEL 34M NEMA 56 OPEN MTR

34-1237

CD0005

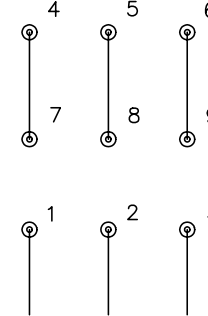


LOW VOLTAGE
(2Y)



LINE

HIGH VOLTAGE
(1Y)



LINE

NOTES:

1. INTERCHANGE ANY TWO LINE LEADS TO REVERSE ROTATION.
2. OPTIONAL THERMOSTATS ARE PROVIDED WHEN SPECIFIED.
3. ACTUAL NUMBER OF INTERNAL PARALLEL CIRCUITS MAY BE A MULTIPLE OF THOSE SHOWN ABOVE.
4. LEAD COLORS ARE OPTIONAL. LEADS MUST ALWAYS BE NUMBERED AS SHOWN.

REV. DESC: REVISE TO SHOW OPTIONAL COLORS			
REV. LTR: E	BY: JLP	REVISED: 01/19/99 10:15	TDR: 0171435
90000		FILE: AAA00005140	MDL: -
		MTL: -	

BALDOR ELECTRIC Co.

3PH, DV, 9 LEADS

CD0005