

BALDOR® • *RELIANCE*

Product Information Packet

ERM3158TA

3HP,3450RPM,3PH,60HZ,56HZ,3530M,OPEN,F1

Copyright © All product information within this document is subject to Baldor Electric Company copyright © protection, unless otherwise noted.

Part Detail									
Revision:	B	Status:	PRD/A	Change #:		Proprietary:	No		
Type:	AC	Prod. Type:	3530M	Elec. Spec:	35WGP988	CD Diagram:			
Enclosure:	OPEN	Mfg Plant:		Mech. Spec:	35J829	Layout:			
Frame:	56HZ	Mounting:	F1	Poles:	02	Created Date:	07-02-2010		
Base:	RS	Rotation:	R	Insulation:	F	Eff. Date:	03-15-2012		
Leads:	9#18	Literature:		Elec. Diagram:		Replaced By:			
Nameplate NP1259L									
CAT.NO.	ERM3158TA								
SPEC.	35J829P988G1								
HP	3								
VOLTS	208-230/460								
AMP	8-7.6/3.8								
RPM	3450								
FRAME	56HZ	HZ			60	PH	3		
SER.F.	1.15	CODE			K	DES	B	CL	F
NEMA-NOM-EFF	85.5	PF			87				
RATING	40C AMB-CONT								
CC				USABLE AT 208V					
DE	6205	ODE			6203				
ENCL	OPEN	SN							

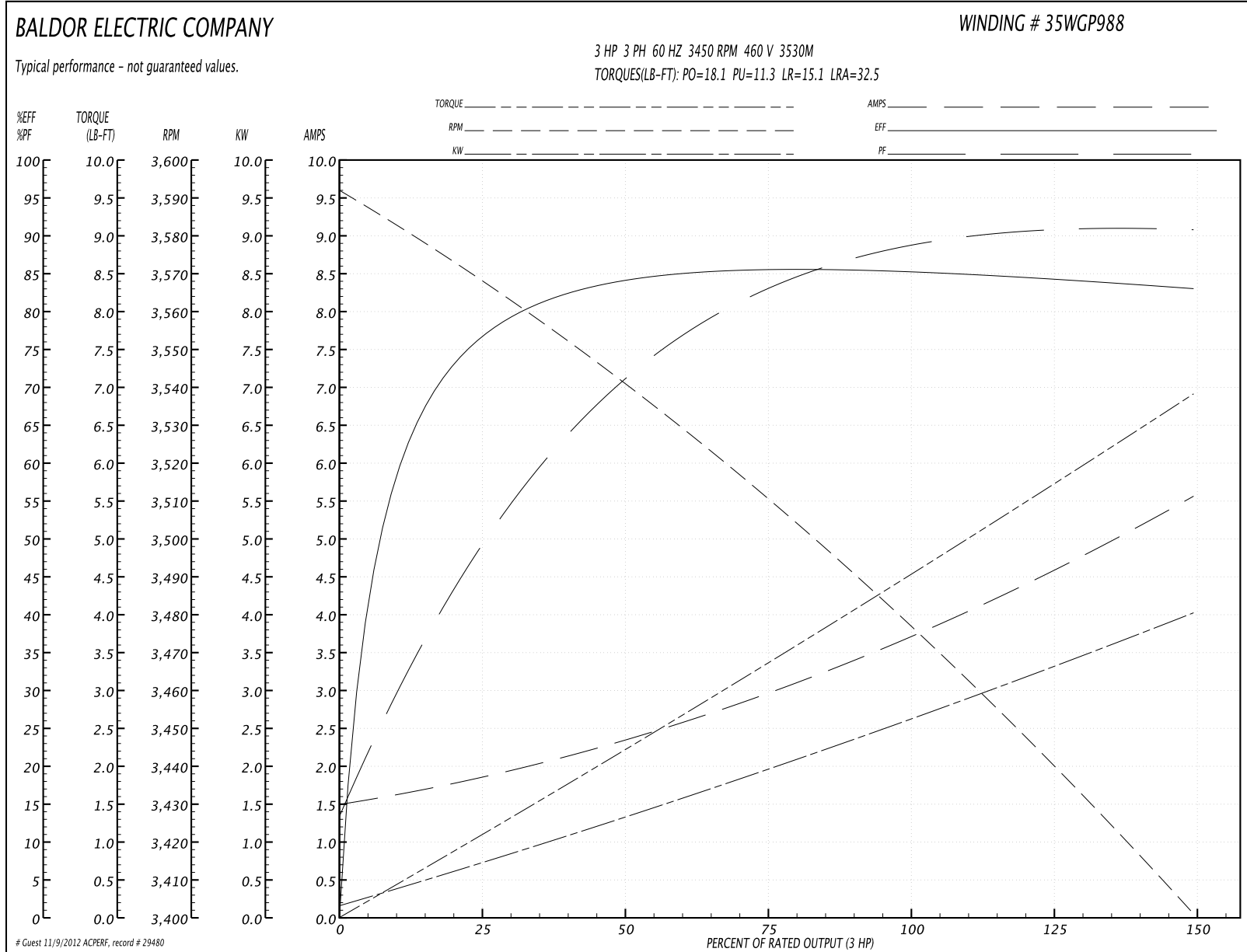
Parts List		
Part Number	Description	Quantity
SA199675	SA 35J829P988G1	1.000 EA
RA187003	RA 35J829P988G1	1.000 EA
S/P107-000-001	SUPER E PROC'S-FS & WS PLTS-POLYREX EM G	1.000 EA
11XT0832G06	8-32 X 3/8 TY 23 TAPPING	1.000 EA
35EP3202A01	STD OPEN FR EP - RESILIENT MTD	1.000 EA
RM1000A02SP	CUSHION RING, MODEL 35 SAME AS A07	1.000 EA
HA6005A01A	CLAMP CUSHION RING ASSY 35 FRAME	1.000 EA
LD5000A01	LEAD ASSY, ML1400DF14 W/(2) #10 RING 7"	1.000 EA
51XW1032A06	10-32 X .38, TAPTITE II, HEX WSHR SLTD S	2.000 EA
HW1003A10	WASHER, #10 EX TH LK, ZN X	2.000 EA
SP1003A01	TERM. BOARD, MODE 35 SW X H-23655	1.000 EA
51XW0832A07	8-32 X .44, TAPTITE II, HEX WSHR SLTD SE	2.000 EA
WD4100A01	DP-875 HEYCO PLUG OR 62MP0875 MICRO PLAS	1.000 EA
HW5100A03SP	WAVY WASHER (W1543-017)	1.000 EA
35EP1209A01	PU ENDPLATE, MACH	1.000 EA
XY1032A02	10-32 HEX NUT DIRECTIONAL SERRATION	4.000 EA
RM1000A02SP	CUSHION RING, MODEL 35 SAME AS A07	1.000 EA
HA6005A01A	CLAMP CUSHION RING ASSY 35 FRAME	1.000 EA
35CB4500SP	TERMINAL BOX LID STAMPED	1.000 EA
51XW0832A07	8-32 X .44, TAPTITE II, HEX WSHR SLTD SE	2.000 EA
HW2501D13SP	KEY, 3/16 SQ X 1.375	1.000 EA
HA7000A01	KEY RETAINER 7/8" DIA SHAFT	1.000 EA
85XU0407S04	4X1/4 U DRIVE PIN STAINLESS	2.000 EA
MJ1000A75	GREASE, POLYREX EM EXXON	0.050 LB

Parts List (continued)		
Part Number	Description	Quantity
MG1000Y03	WILKO 689.710 GOLD PAINT SUPER E	0.017 GA
HA3100A22	THRUBOLT 10-32 X 10.125	4.000 EA
35BA4002C01	RESILIENT BASE, STAMPED	1.000 EA
LB1125C02	SUPER-E (STOCK CTN LABEL SUPER-E WITH FL	1.000 EA
LC0005E01	CONN.DIA./WARNING LABEL (LC0005/LB1119)	1.000 EA
LB5040	INSTRUCTION TAG, AC & DC	1.000 EA
LB1357	ENERGY GUIDE LABEL (BOX LABEL)	1.000 SH
NP1259L	ALUM SUPER-E UL CSA-EEV CC NEMA PREMIUM	1.000 EA
PA1068	PACK GROUP 35 SHORT W OSB BASE	1.000 EA

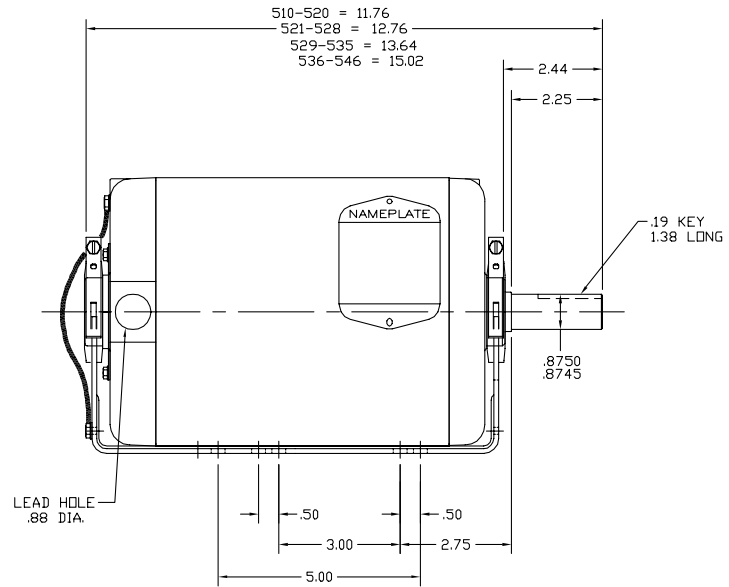
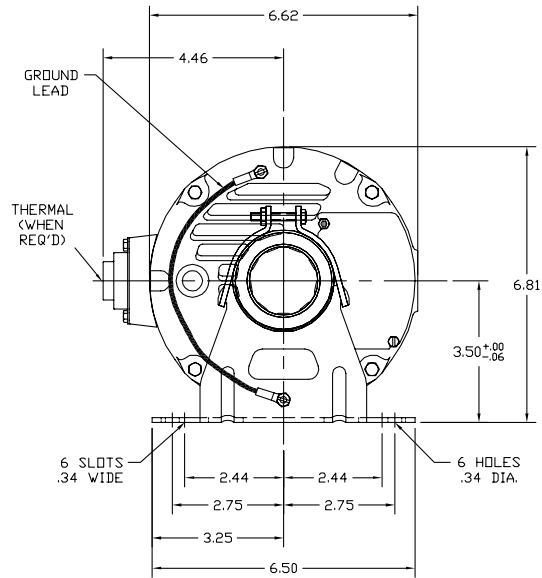
Performance Data at 460V, 60Hz, 3.0HP (Typical performance - Not guaranteed values)

General Characteristics							
Full Load Torque:	4.5 LB-FT			Start Configuration:	DOL		
No-Load Current:	1.55 Amps			Break-Down Torque:	18.1 LB-FT		
Line-line Res. @ 25°C.:	5.8893 Ohms A Ph / 0.0 Ohms B Ph			Pull-Up Torque:	11.3 LB-FT		
Temp. Rise @ Rated Load:	33 C			Locked-Rotor Torque:	15.1 LB-FT		
Temp. Rise @ S.F. Load:	40 C			Starting Current:	32.5 Amps		
Load Characteristics							
% of Rated Load	25	50	75	100	125	150	S.F.
Power Factor:	50.0	72.0	82.0	87.0	90.0	91.0	89.0
Efficiency:	76.1	84.3	86.0	85.8	84.7	83.0	85.1
Speed:	3569.1	3541.6	3510.6	3478.3	3442.7	3400.2	3457.0
Line Amperes:	1.77	2.29	2.97	3.73	4.58	5.53	4.24

Performance Graph at 460V, 60Hz, 3.0HP Typical performance - Not guaranteed values



35LYJ829



35LYJ829

CUSTOMER IS RESPONSIBLE FOR DETERMINING THAT BALDOR'S PRODUCT WILL PERFORM SUITABLY IN THE INTENDED APPLICATION.

REV. DESC: CHANGED FRAME DISCRPTION TO 143-5TY W/56HZ	VERSION: 01	TDR: 000000547795
REV. LTR: C	REVISED: 10:37:14 07/07/2010	BY: ENJERWO
FILE: \AAA\00014\320		
MTL: -		

BALDOR • DODGE • RELIANCE
 SPL HORZ 35M 143-5TY/56HZ OPEN RESIL MTD W/TERM PLATE
 SH 1 of 1

CD0005



LOW VOLTAGE
(2Y)



LINE

HIGH VOLTAGE
(1Y)



LINE

NOTES:

1. INTERCHANGE ANY TWO LINE LEADS TO REVERSE ROTATION.
2. OPTIONAL THERMOSTATS ARE PROVIDED WHEN SPECIFIED.
3. ACTUAL NUMBER OF INTERNAL PARALLEL CIRCUITS MAY BE A MULTIPLE OF THOSE SHOWN ABOVE.
4. LEAD COLORS ARE OPTIONAL. LEADS MUST ALWAYS BE NUMBERED AS SHOWN.

REV. DESC: REVISE TO SHOW OPTIONAL COLORS			
REV. LTR: E	BY: JLP	REVISED: 01/19/99 10:15	TDR: 0171435
90000		FILE: AAA00005140	MDL: -
		MTL: -	

BALDOR ELECTRIC Co.

3PH, DV, 9 LEADS

CD0005