

# **BALDOR® • RELIANCE**

## **Product Information Packet**

### **FDL3610M**

**3HP, 1750RPM, 1PH, 60HZ, 184, 3640LC, TEFC, F1**

Copyright © All product information within this document is subject to Baldor Electric Company copyright © protection, unless otherwise noted.

Part Detail							
Revision:	R	Status:	PRD/A	Change #:		Proprietary:	No
Type:	AC	Prod. Type:	3640LC	Elec. Spec:	36WGY739	CD Diagram:	
Enclosure:	TEFC	Mfg Plant:		Mech. Spec:	36G239	Layout:	
Frame:	184	Mounting:	F1	Poles:	04	Created Date:	
Base:	RG	Rotation:	R	Insulation:	F	Eff. Date:	04-25-2012
Leads:	2#14 A PH,3#16 B&J	Literature:		Elec. Diagram:		Replaced By:	

**Nameplate NP1280L**

CAT.NO.	FDL3610M						
SPEC.	36G239Y739						
HP	3						
VOLTS	230						
AMP	15.5						
RPM	1750						
FRAME	184	HZ	60	PH	1		
SER.F.	1.00	CODE	M	DES	L	CL	F
NEMA-NOM-EFF	80	PF	76				
RATING	40C AMB-CONT						
CC				USABLE AT 208V			
DE	6206	ODE	6205				
ENCL	TEFC	SN					

Parts List		
Part Number	Description	Quantity
SA043211	SA 36G239Y739	1.000 EA
RA038992	RA 36G239Y739	1.000 EA
TPBRD3929SP	THERMAL 1PH 1.25 MAN REF BRD2945 TDR #58	1.000 EA
TP5059	GENERIC THERMAL KIT	1.000 EA
36CB1000A22	CONDUIT BOX, MACH	1.000 EA
37GS1000SP	GASKET, CONDUIT BOX STD., .06 THICK LEXI	1.000 EA
51XB1016A08	10-16X 1/2HXWSSLD SERTYB	2.000 EA
11XW1032G06	10-32 X .38, TAPTITE II, HEX WSHR SLTD U	1.000 EA
HW3001B01	003SS CUP WASHER, FOR #8 SCREW	1.000 EA
HA6015A08	THERMAL RETAINER (PLATED)	1.000 EA
RM1014A01SP	BUTYL RUB.THRM COV. (MENA)	1.000 EA
51XB1214A10	12-14 X 5/8HX WS SL SR TYBX	2.000 EA
36EP3101A30	FR ENDPLATE, MACH	1.000 EA
HW4500A01	1641B(ALEMITE)400 UNIV, GREASE FITT	1.000 EA
HW3200A01	3/8-16X3/4 I-BLT WELDED F/S	1.000 EA
13XF0832A08	8-32 X.50 PAN HD,SLTD, TYPE F SCREW, ZIN	2.000 EA
36GS3000	GASKET, CAPACITOR COVER LEXIDE	1.000 EA
10XN2520A12	O1/4-20X 3/4 HEX HEAD CAP	2.000 EA
HW5100A05	WVY WSHR F/205 & 304 BRGS	1.000 EA
36EP3100A16	PU ENDPLATE, MACH	1.000 EA
HW4500A01	1641B(ALEMITE)400 UNIV, GREASE FITT	1.000 EA
HW3200A01	3/8-16X3/4 I-BLT WELDED F/S	1.000 EA
XY2520A12	1/4-20 HEX NUT, DIRECTIONAL SERRATIONS	4.000 EA
36FN3000A01SP	EXFN, PLASTIC, 7.00 OD, .912 ID	1.000 EA

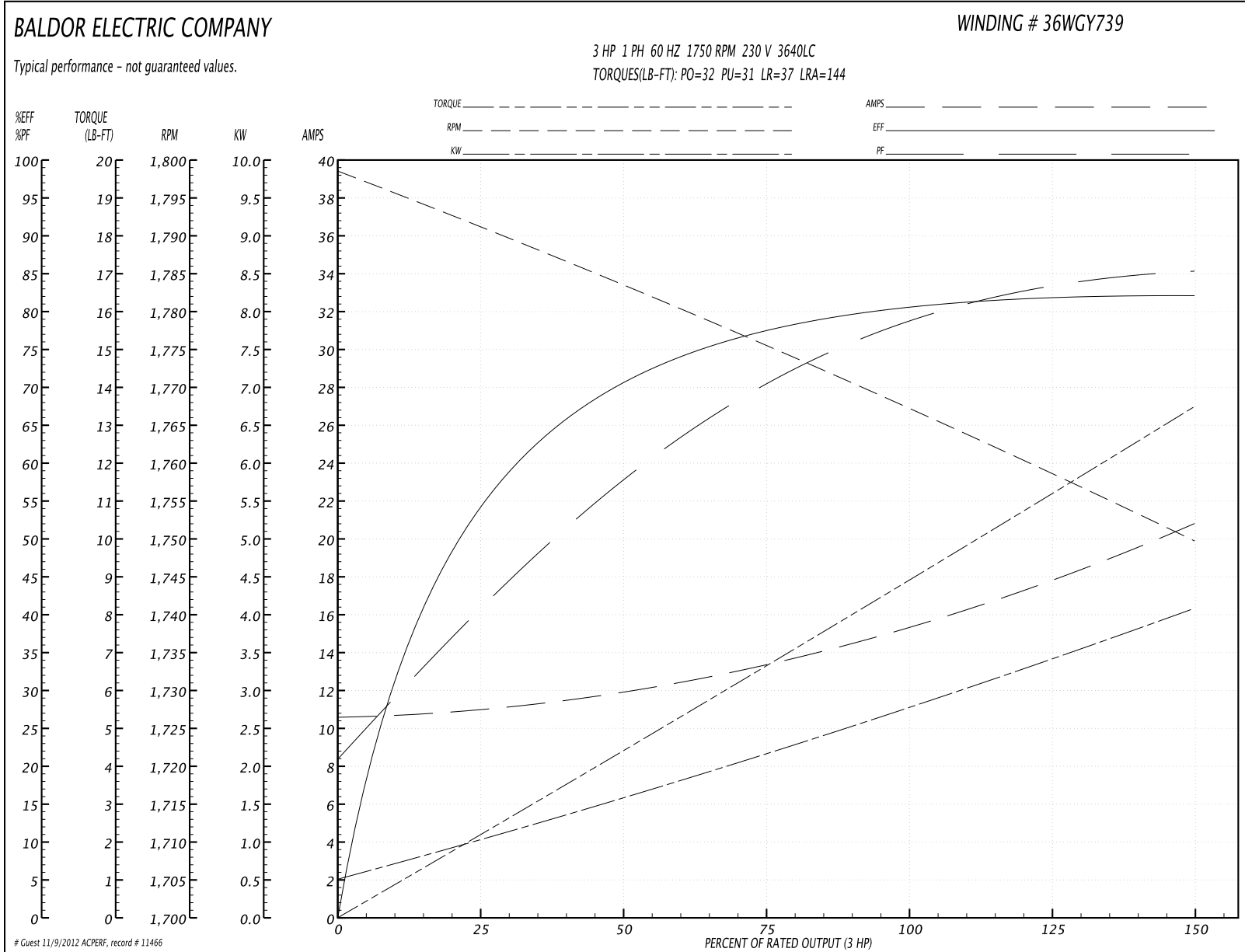
Parts List (continued)		
Part Number	Description	Quantity
51XB1214A16	12-14X1.00 HXWSSLD SERTYB	1.000 EA
36FH4009A18	IEC FH,GREASER & SPL NOTCH, W/ AUTOPHERE	1.000 EA
51XW1032A06	10-32 X .38, TAPTITE II, HEX WSHR SLTD S	3.000 EA
36CB4516	36 LIPPED CB LID	1.000 EA
37GS1001SP	GASKET, CONDUIT BOX LID, .06 THICK LEXID	1.000 EA
51XW0832A07	8-32 X .44, TAPTITE II, HEX WSHR SLTD SE	4.000 EA
HA1005A02SP	SLINGER, OD 2.00, ID 1.14, 206 BRG,	1.000 EA
HW2501D13SP	KEY, 3/16 SQ X 1.375	1.000 EA
HA7000A01	KEY RETAINER 7/8" DIA SHAFT	1.000 EA
85XU0407S04	4X1/4 U DRIVE PIN STAINLESS	2.000 EA
LB1115	LABEL,LIFTING DEVICE	1.000 EA
MJ1000A75	GREASE, POLYREX EM EXXON	0.050 LB
MG1025Z20	ACTIVATOR WILKOFAS 060.32	0.010 GA
SP5064A01	MODEL 36 TYPE LC STATIONARY SWITCH LEAD	1.000 EA
36CB5005A10	CAPACITOR BOX KIT,36CB3800,EC1216C06	1.000 EA
HA3101A28	THRUBOLT 1/4-20 X 12.500 OHIO ROD	4.000 EA
MG1025C02	PAINT, 787.105 LITE TAN EPOXY (USE W/MG1	0.022 GA
LB1119	WARNING LABEL	1.000 EA
LB1087	LABEL,MANUAL RESET (ROLL LABEL)	1.000 EA
LB1125C01	STD (STOCK) CARTON LABEL BALDOR WITH FLA	1.000 EA
LC0002	CONNECTION LABEL	1.000 EA
NP1280L	ALUM FARM DUTY UL CSA CC THERMAL	1.000 EA
36PA1001	PACKAGING GROUP	1.000 EA

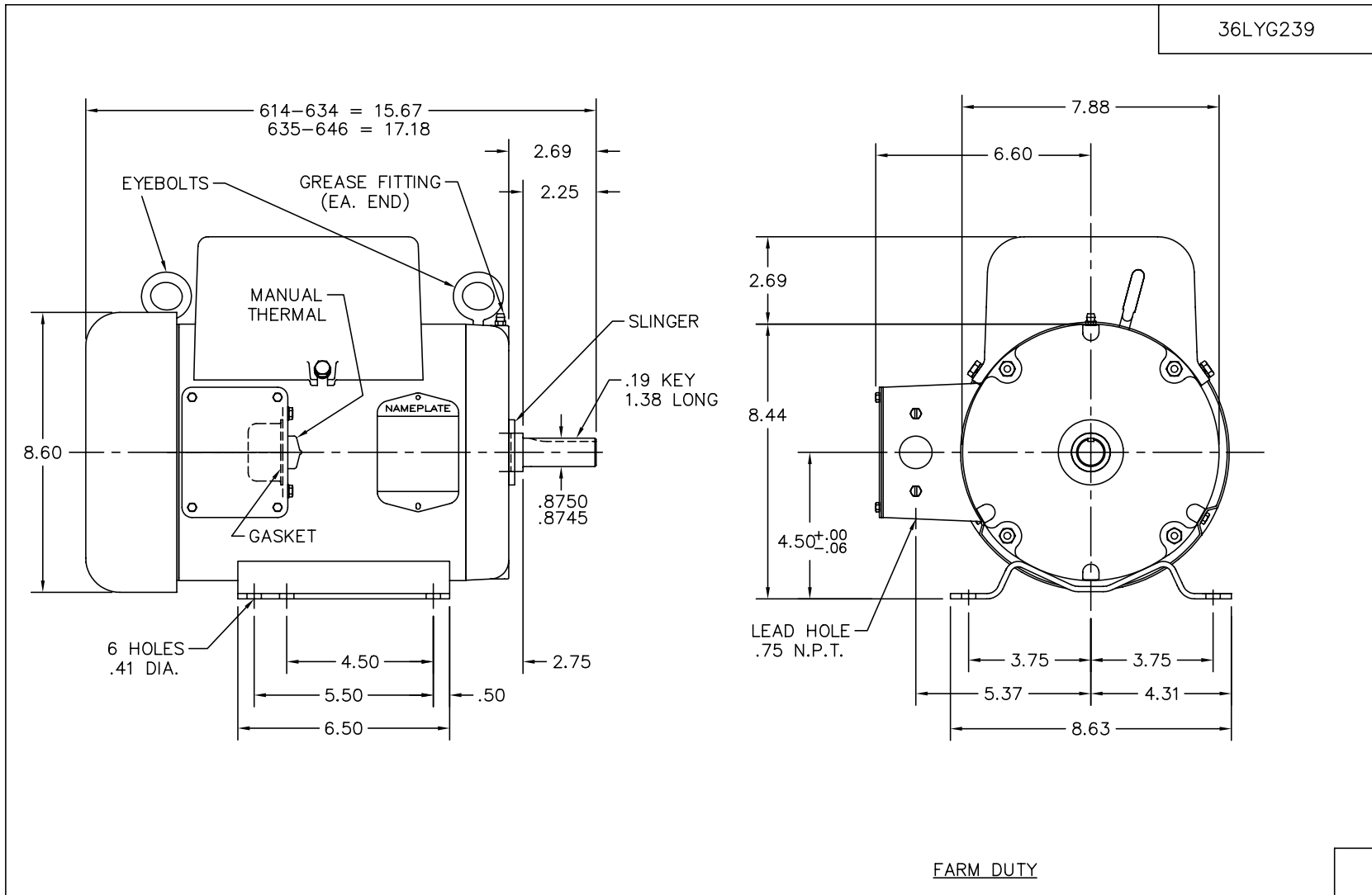
**Performance Data at 230V, 60Hz, 3.0HP (Typical performance - Not guaranteed values)**

General Characteristics			
Full Load Torque:	9.0 LB-FT	Start Configuration:	DOL
No-Load Current:	10.7 Amps	Break-Down Torque:	32.0 LB-FT
Line-line Res. @ 25°C.:	0.472 Ohms A Ph / 1.53 Ohms B Ph	Pull-Up Torque:	31.0 LB-FT
Temp. Rise @ Rated Load:	85 C	Locked-Rotor Torque:	37.0 LB-FT
Temp. Rise @ S.F. Load:		Starting Current:	144.0 Amps

Load Characteristics							
% of Rated Load	25	50	75	100	125	150	S.F.
Power Factor:	39.0	56.0	68.0	76.0	82.0	85.0	0.0
Efficiency:	53.4	70.8	77.9	81.0	82.0	81.9	0.0
Speed:	1791.0	1782.0	1775.0	1768.0	1759.0	1749.0	0.0
Line Amperes:	10.9	11.8	13.5	15.5	18.0	20.7	0.0

Performance Graph at 230V, 60Hz, 3.0HP Typical performance - Not guaranteed values

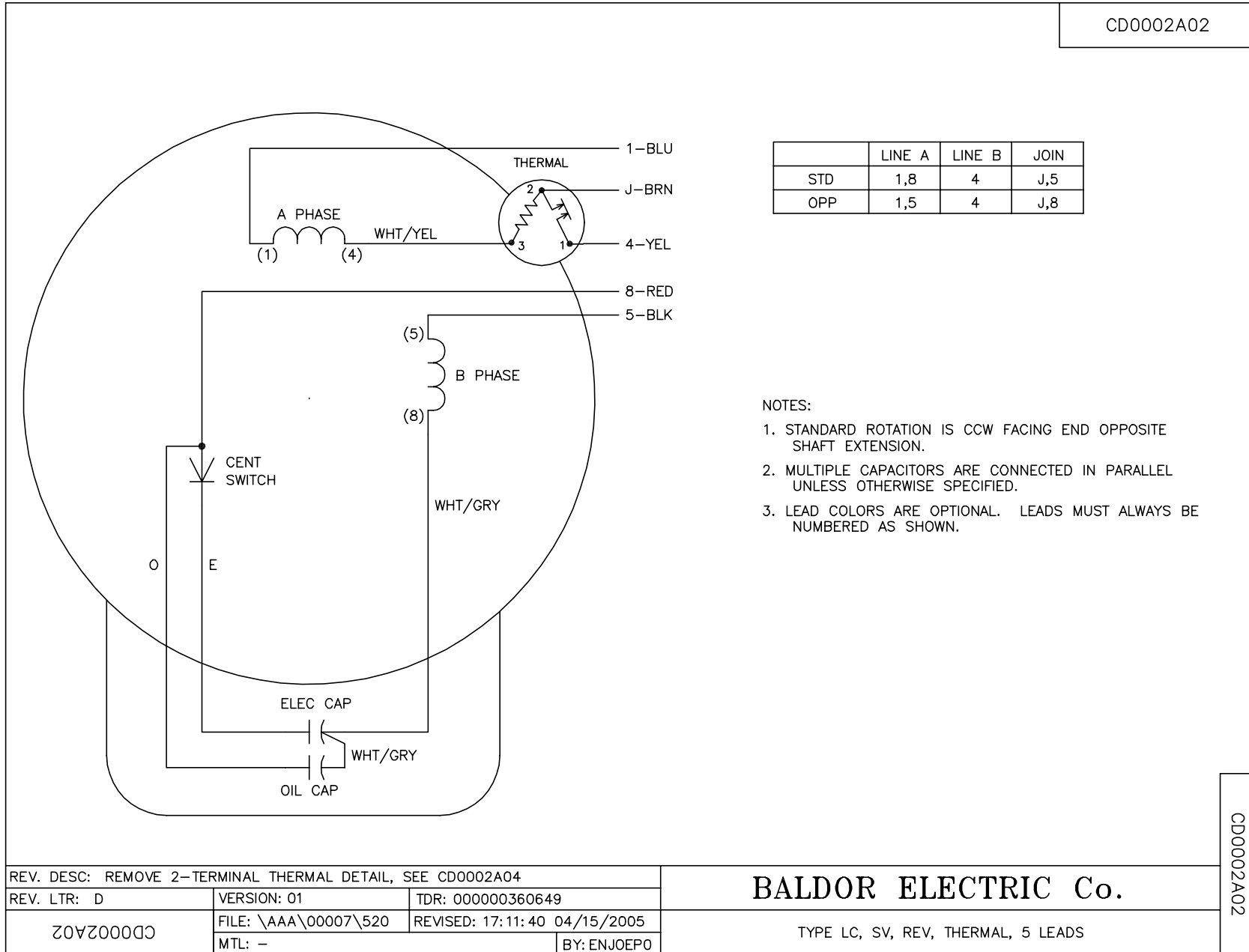




CUST. NAME		CUST. P.O.		CERTIFIED BY		MODEL		INSUL		AMB	
H.P.		MTG		TYPE		R.P.M.		VOLTS		ENCL	
REV. LTR: B		BY: JED		REVISED: 07/14/99 2:36		TDR: 0186054		<b>BALDOR ELECTRIC Co.</b>		HORZ 36LC 182-4 TEFC W/1.25 MANUAL THERMAL	
6279192		FILE: AAA00015534		MDL: -							
MTL: -											

36LYG239

CD0002A02



CD0002A02

REV. DESC: REMOVE 2-TERMINAL THERMAL DETAIL, SEE CD0002A04			
REV. LTR: D	VERSION: 01	TDR: 000000360649	
CD0002A02	FILE: \AAA\00007\520	REVISED: 17:11:40 04/15/2005	
	MTL: -	BY: ENJOEPO	

**BALDOR ELECTRIC Co.**

TYPE LC, SV, REV, THERMAL, 5 LEADS