

BALDOR® • **RELIANCE**

Product Information Packet

FDL3712TM

10HP,1725RPM,1PH,60HZ,215T,3750LC,TEFC,F

Copyright © All product information within this document is subject to Baldor Electric Company copyright © protection, unless otherwise noted.

Part Detail							
Revision:	B	Status:	PRD/A	Change #:		Proprietary:	No
Type:	AC	Prod. Type:	3750LC	Elec. Spec:	37WGT040	CD Diagram:	
Enclosure:	TEFC	Mfg Plant:		Mech. Spec:	37M344	Layout:	
Frame:	215T	Mounting:	F1	Poles:	04	Created Date:	03-05-2010
Base:	RG	Rotation:	R	Insulation:	F	Eff. Date:	03-01-2012
Leads:	2#10 A PH,3#14 B&J	Literature:		Elec. Diagram:		Replaced By:	

Nameplate NP1280L										
CAT.NO.	FDL3712TM									
SPEC.	37M344T040									
HP	10									
VOLTS	230									
AMP	40									
RPM	1725									
FRAME	215T	HZ				60	PH	1		
SER.F.	1.00	CODE				G	DES	L	CL	F
NEMA-NOM-EFF	84	PF				94				
RATING	40C AMB-CONT									
CC					USABLE AT 208V					
DE	6307	ODE				6206				
ENCL	TEFC	SN								

Parts List		
Part Number	Description	Quantity
SA191814	SA 37M344T040	1.000 EA
RA179472	RA 37M344T040	1.000 EA
OC3050F09SP	CYL OIL CAP 50MFD/370V	2.000 EA
TPLED1011SP	THERMAL 1PH 1.5 MAN REF LED941 TDR #5817	1.000 EA
EC1216C06SP	ELEC CAP, 216-259 MFD, 250V, 2.06D X 4.	3.000 EA
TP5059	GENERIC THERMAL KIT	1.000 EA
HW3200A01	3/8-16X3/4 I-BLT WELDED F/S	1.000 EA
37CB3804A04	CAPAC BOX MACH	1.000 EA
37GS3015	GASKET, CAPAC BOX	1.000 EA
51XW2520A12	.25-20 X .75, TAPTITE II, HEX WSHR SLTD	4.000 EA
37CB4509	CAPAC BOX LID, STAMPED	1.000 EA
37GS3016	GASKET, CAPAC BOX LID	1.000 EA
51XW0832A07	8-32 X .44, TAPTITE II, HEX WSHR SLTD SE	6.000 EA
HA6003A47	CAPAC CLAMP	1.000 EA
HA6003A45	CAPAC CLAMP - CLIP (WHITE ZINC PLATED)	2.000 EA
51XB1016A07	10-16 X 7/16 HXWSSLD SERTYB	4.000 EA
HA2001A09	SPACER, .218 ID X .937 LG	2.000 EA
RM1015	BOOT FOR MANUAL THERMALS	1.000 EA
51XN1032A28	10-32 X 1 3/4 HX WS SL SR	2.000 EA
XY1032A02	10-32 HEX NUT DIRECTIONAL SERRATION	2.000 EA
HW1000A10	#10 FLAT WASHER (SAE)	2.000 EA
11XW1032G06	10-32 X .38, TAPTITE II, HEX WSHR SLTD U	1.000 EA
HW3001B01	003SS CUP WASHER, FOR #8 SCREW	1.000 EA
37EP3101A01SP	FR ENDPLATE,TEFC, 37 L&M, W/GREASER	1.000 EA

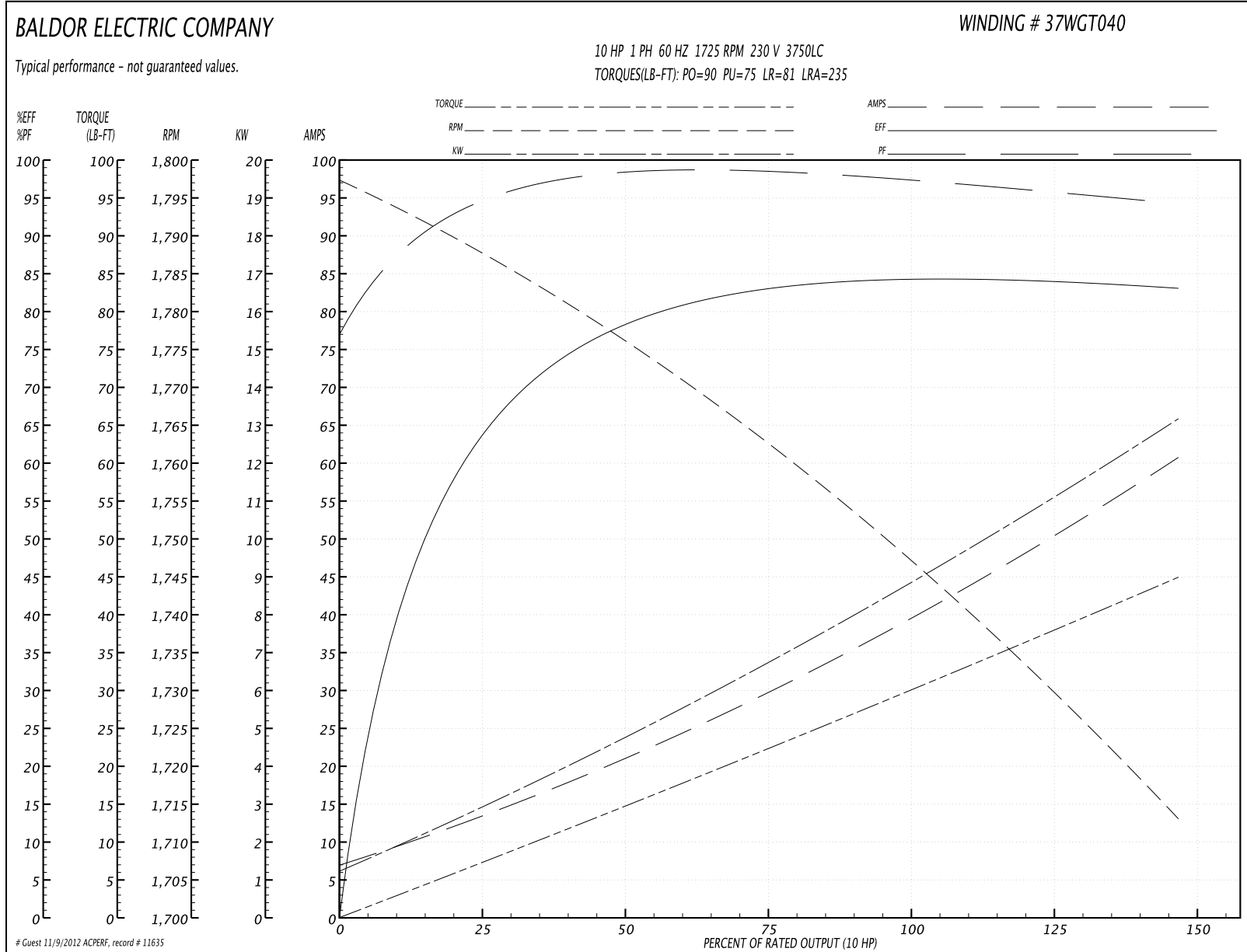
Parts List (continued)		
Part Number	Description	Quantity
HW4500A01	1641B(ALEMITE)400 UNIV, GREASE FITT	1.000 EA
13XT0832A07	8-32X7/16 TYP 23 PAN HD SLT DX	2.000 EA
HW5100A06	W2420-025 WVY WSHR (WB)	1.000 EA
37EP3100B19	FR/PU ENDPLATE, MACH	1.000 EA
HW4500A01	1641B(ALEMITE)400 UNIV, GREASE FITT	1.000 EA
XY3118A12	5/16-18 HEX NUT DIRECTIONAL SERRATION	4.000 EA
36FN2003A02SP	EXFN XP PULLEY, ALUM, 7.38 OD, 1.379 ID	1.000 EA
80XN2520A06	1/4-20 X 3/8 SET SCREW	2.000 EA
07FH4007A06	IEC FH W/GRS, NOT @6, 3 F/C HOL & NOT FO	1.000 EA
51XW1032A06	10-32 X .38, TAPTITE II, HEX WSHR SLTD S	3.000 EA
37FH4001A02	FAN COVER 37 FR.END W/GREASER	1.000 EA
51XW1032A06	10-32 X .38, TAPTITE II, HEX WSHR SLTD S	3.000 EA
HW2501F21	KEY, 5/16 SQ X 2.375	1.000 EA
HA7000A02	KEY RETAINER RING, 1 1/8 DIA, 1 3/8 DIA	1.000 EA
85XU0407S04	4X1/4 U DRIVE PIN STAINLESS	2.000 EA
LB1115	LABEL,LIFTING DEVICE	1.000 EA
LB1087	LABEL,MANUAL RESET (ROLL LABEL)	1.000 EA
MJ1000A75	GREASE, POLYREX EM EXXON	0.050 LB
MG1025Z20	ACTIVATOR WILKOFAS 060.32	0.010 GA
37FN3002A01SP	EXFN, PLASTIC, 9.00 OD, 1.155 ID	1.000 EA
51XB1214A20	12-14X1.25 HXWSSLD SERTYB	1.000 EA
SP5172A03	37 TYPE L TORQ STAT SWITCH LEAD ASSEMBLY	1.000 EA
HA3104A24	THRUBOLT- 5/16-18 X14.375 X	4.000 EA
LD5000A24	LEAD ASSY, ML1400DF10 W/#10 RING 12"	1.000 EA

Parts List (continued)		
Part Number	Description	Quantity
NS2539	INSULATOR FOR 37 FRAMESWITCH (MH1011A10)	1.000 EA
MG1025C02	PAINT, 787.105 LITE TAN EPOXY (USE W/MG1	0.028 GA
LB1119	WARNING LABEL	1.000 EA
LB1125C01	STD (STOCK) CARTON LABEL BALDOR WITH FLA	1.000 EA
LC0002	CONNECTION LABEL	1.000 EA
NP1280L	ALUM FARM DUTY UL CSA CC THERMAL	1.000 EA
37PA1052	PACKAGING GROUP, 150 LB MTR 2 X 4 RUNNER	1.000 EA

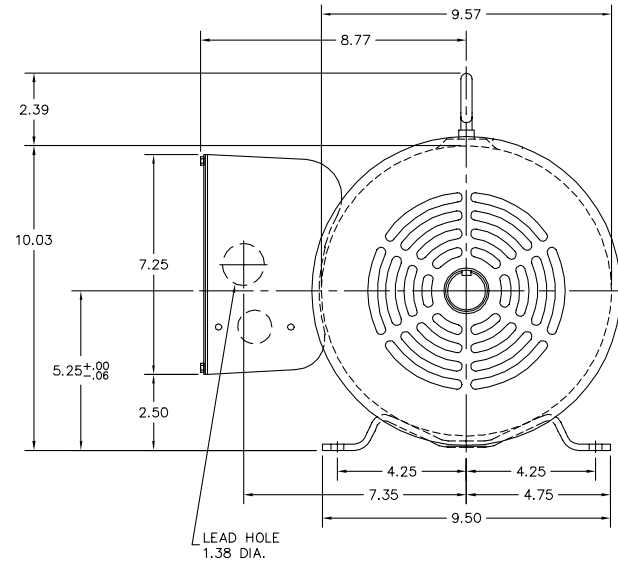
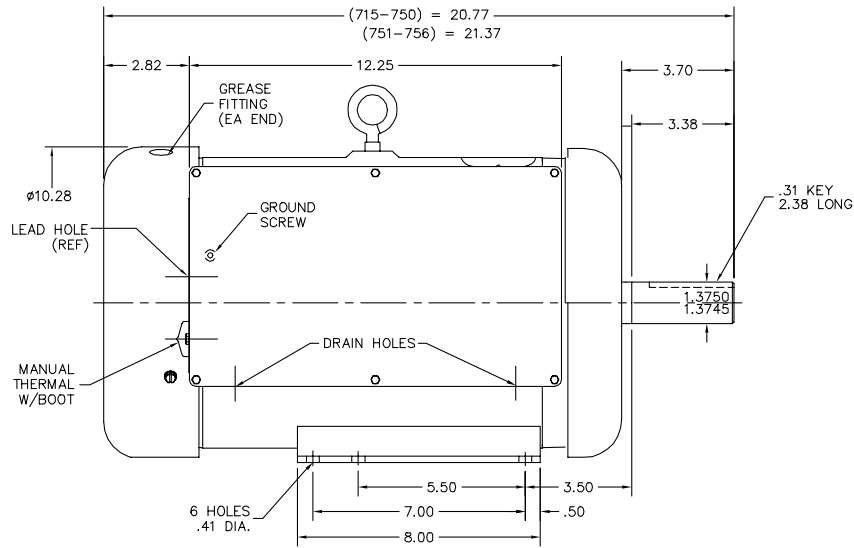
Performance Data at 230V, 60Hz, 10.0HP (Typical performance - Not guaranteed values)

General Characteristics							
Full Load Torque:	30.0 LB-FT			Start Configuration:	DOL		
No-Load Current:	7.0 Amps			Break-Down Torque:	90.0 LB-FT		
Line-line Res. @ 25°C.:	0.177 Ohms A Ph / 0.556 Ohms B Ph			Pull-Up Torque:	75.0 LB-FT		
Temp. Rise @ Rated Load:	98 C			Locked-Rotor Torque:	81.0 LB-FT		
Temp. Rise @ S.F. Load:				Starting Current:	235.0 Amps		
Load Characteristics							
% of Rated Load	25	50	75	100	125	150	S.F.
Power Factor:	94.0	97.0	98.0	98.0	97.0	96.0	0.0
Efficiency:	64.4	78.1	82.9	84.4	84.3	82.9	0.0
Speed:	1787.0	1775.0	1762.0	1748.0	1732.0	1712.0	0.0
Line Amperes:	13.4	21.4	30.1	39.4	49.6	60.9	0.0

Performance Graph at 230V, 60Hz, 10.0HP Typical performance - Not guaranteed values



37LYM344



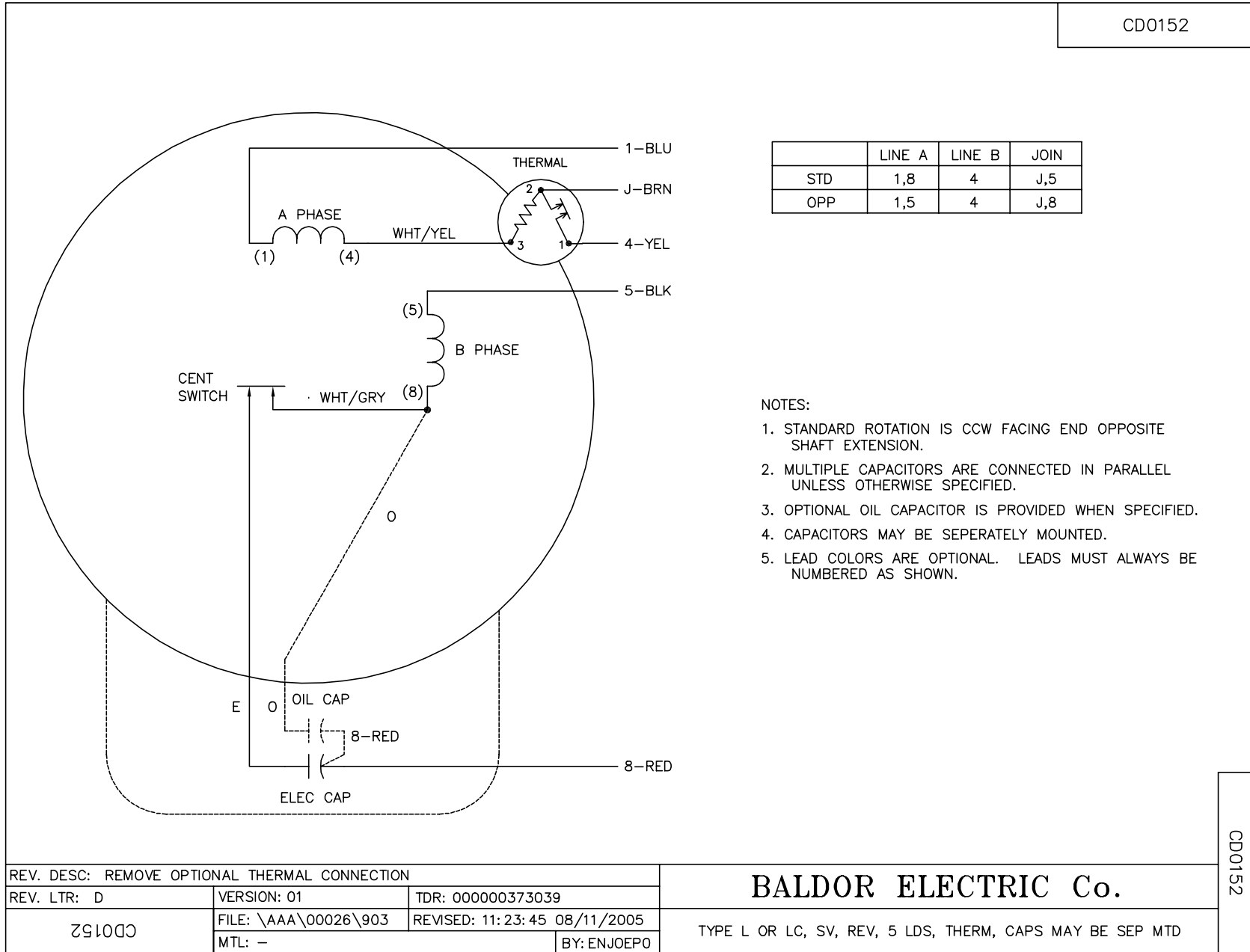
37LYM344

CUSTOMER IS RESPONSIBLE FOR DETERMINING THAT BALDOR'S PRODUCT WILL PERFORM SUITABLY IN THE INTENDED APPLICATION.

REV. DESC: NEW	VERSION: 00	TDR: 000000530501
REV. LTR: -	REVISED: 12:52:05 03/05/2010	BY: ENJOSRO
FILE: \AAA\00170\126		
MTL: -		

BALDOR • DODGE • RELIANCE
 HOR 213-5T TEFC 37LC,DUAL EXFN,FARM DUTY,LE MTO,TORQ SWITCH
 SH 1 of 1

CD0152



CD0152

REV. DESC: REMOVE OPTIONAL THERMAL CONNECTION		
REV. LTR: D	VERSION: 01	TDR: 000000373039
ZS1000	FILE: \AAA\00026\903	REVISED: 11:23:45 08/11/2005
	MTL: -	BY: ENJOEPO

BALDOR ELECTRIC Co.

TYPE L OR LC, SV, REV, 5 LDS, THERM, CAPS MAY BE SEP MTD