

# **BALDOR**® • *RELIANCE*

## **Product Information Packet**

# **FDL3737TM**

**10HP,1730RPM,1PH,60HZ,215T,3752LC,TEFC,F**

Copyright © All product information within this document is subject to Baldor Electric Company copyright © protection, unless otherwise noted.

Part Detail							
Revision:	E	Status:	PRD/A	Change #:		Proprietary:	No
Type:	AC	Prod. Type:	3752LC	Elec. Spec:	37WGT913	CD Diagram:	
Enclosure:	TEFC	Mfg Plant:		Mech. Spec:	37M294	Layout:	
Frame:	215T	Mounting:	F1	Poles:	04	Created Date:	01-07-2010
Base:	RG	Rotation:	R	Insulation:	F	Eff. Date:	02-27-2012
Leads:	2#10 A PH,3#14 B PH	Literature:		Elec. Diagram:		Replaced By:	

Nameplate NP1280L										
CAT.NO.	FDL3737TM									
SPEC.	37M294T913									
HP	10									
VOLTS	230									
AMP	39									
RPM	1730									
FRAME	215T	HZ				60	PH	1		
SER.F.	1.00	CODE				H	DES	L	CL	F
NEMA-NOM-EFF	86.5	PF				96				
RATING	40C AMB-CONT									
CC					USABLE AT 208V					
DE	6307	ODE				6206				
ENCL	TEFC	SN								

Parts List		
Part Number	Description	Quantity
SA189479	SA 37M294T913	1.000 EA
RA177188	RA 37M294T913	1.000 EA
OC3050F09SP	CYL OIL CAP 50MFD/370V	2.000 EA
RE5029	MARS 91423 DOUBLE POLE 230-240V CONTACTO	1.000 EA
TPLED1024SP	THERMAL 1PH 1.5 MAN REF LED945 TDR #5817	1.000 EA
EC1216C06SP	ELEC CAP, 216-259 MFD, 250V, 2.06D X 4.	4.000 EA
37FN3002A01SP	EXFN, PLASTIC, 9.00 OD, 1.155 ID	1.000 EA
TP5059	GENERIC THERMAL KIT	1.000 EA
HW3200A01	3/8-16X3/4 I-BLT WELDED F/S	1.000 EA
37CB3804A35	37 CPBX W/ 1.38 DIA, MAN THERM, & RELAY	1.000 EA
37GS3015	GASKET, CAPAC BOX	1.000 EA
51XW2520A12	.25-20 X .75, TAPTITE II, HEX WSHR SLTD	4.000 EA
37CB4509	CAPAC BOX LID, STAMPED	1.000 EA
37GS3016	GASKET, CAPAC BOX LID	1.000 EA
51XW0832A07	8-32 X .44, TAPTITE II, HEX WSHR SLTD SE	6.000 EA
HA6003A47	CAPAC CLAMP	1.000 EA
HA6003A45	CAPAC CLAMP - CLIP (WHITE ZINC PLATED)	2.000 EA
51XB1016A07	10-16 X 7/16 HXWSSLD SERTYB	4.000 EA
HA2001A09	SPACER, .218 ID X .937 LG	2.000 EA
RM1015	BOOT FOR MANUAL THERMALS	1.000 EA
51XN1032A28	10-32 X 1 3/4 HX WS SL SR	2.000 EA
XY1032A02	10-32 HEX NUT DIRECTIONAL SERRATION	2.000 EA
51XF2520A08	SCREW, HEX SER SLT HD, ZN 1/4-20 X .50 L	2.000 EA
11XW1032G06	10-32 X .38, TAPTITE II, HEX WSHR SLTD U	1.000 EA

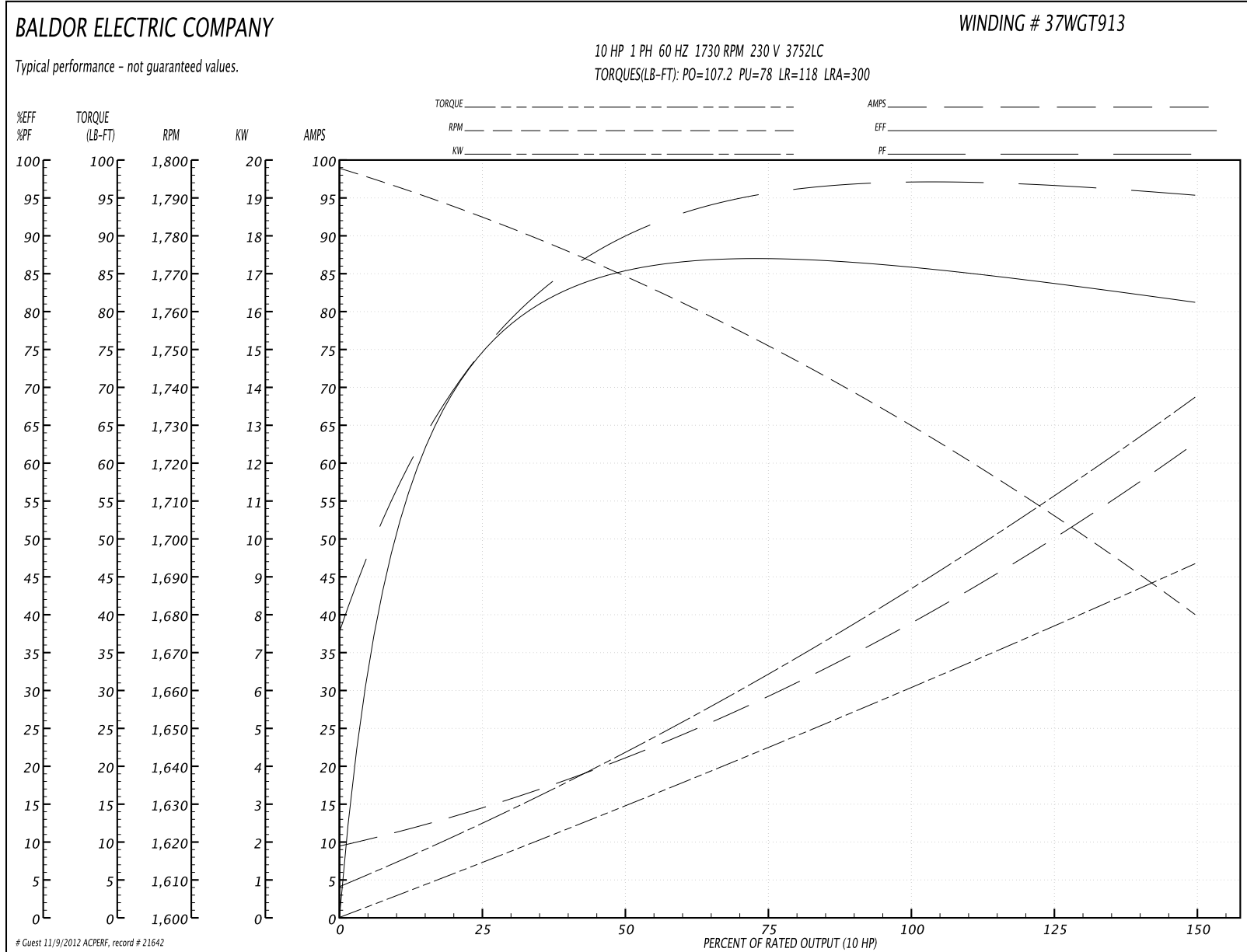
Parts List (continued)		
Part Number	Description	Quantity
HW3001B01	003SS CUP WASHER, FOR #8 SCREW	1.000 EA
37EP3101A01SP	FR ENDPLATE,TEFC, 37 L&M, W/GREASER	1.000 EA
HW4500A01	1641B(ALEMITE)400 UNIV, GREASE FITT	1.000 EA
13XT0832A07	8-32X7/16 TYP 23 PAN HD SLT DX	6.000 EA
NS2539	INSULATOR FOR 37 FRAMESWITCH (MH1011A10)	1.000 EA
HW5100A06	W2420-025 WVY WSHR (WB)	1.000 EA
37EP3100B19	FR/PU ENDPLATE, MACH	1.000 EA
HW4500A01	1641B(ALEMITE)400 UNIV, GREASE FITT	1.000 EA
XY3118A12	5/16-18 HEX NUT DIRECTIONAL SERRATION	4.000 EA
36FN2003A02SP	EXFN XP PULLEY, ALUM, 7.38 OD, 1.379 ID	1.000 EA
80XN2520A06	1/4-20 X 3/8 SET SCREW	2.000 EA
51XB1214A20	12-14X1.25 HXWSSLD SERTYB	1.000 EA
07FH4007A06	IEC FH W/GRS, NOT @6, 3 F/C HOL & NOT FO	1.000 EA
51XW1032A06	10-32 X .38, TAPTITE II, HEX WSHR SLTD S	3.000 EA
37FH4001A02	FAN COVER 37 FR.END W/GREASER	1.000 EA
51XW1032A06	10-32 X .38, TAPTITE II, HEX WSHR SLTD S	3.000 EA
HW2501F21	KEY, 5/16 SQ X 2.375	1.000 EA
HA7000A02	KEY RETAINER RING, 1 1/8 DIA, 1 3/8 DIA	1.000 EA
85XU0407S04	4X1/4 U DRIVE PIN STAINLESS	2.000 EA
LB1115	LABEL,LIFTING DEVICE	1.000 EA
LB1087	LABEL,MANUAL RESET (ROLL LABEL)	1.000 EA
MJ1000A75	GREASE, POLYREX EM EXXON	0.050 LB
MG1025Z20	ACTIVATOR WILKOFAS 060.32	0.010 GA
MG1025C02	PAINT, 787.105 LITE TAN EPOXY (USE W/MG1	0.028 GA

Parts List (continued)		
Part Number	Description	Quantity
LD5000A24	LEAD ASSY, ML1400DF10 W/#10 RING 12"	1.000 EA
HA3104A25T	THRUBOLT .31-18 X 14.75 W/SHRINK TUBING	4.000 EA
SP5172A06	37 TYPE L TORQ STAT SWITCH LEAD ASSEMBLY	1.000 EA
LB1119	WARNING LABEL	1.000 EA
LB1172A01	CUSTOM MTR CARTON LABEL LASER PRINTER	1.000 EA
LC0002	CONNECTION LABEL	1.000 EA
NP1280L	ALUM FARM DUTY UL CSA CC THERMAL	1.000 EA
37PA1052	PACKAGING GROUP, 150 LB MTR 2 X 4 RUNNER	1.000 EA

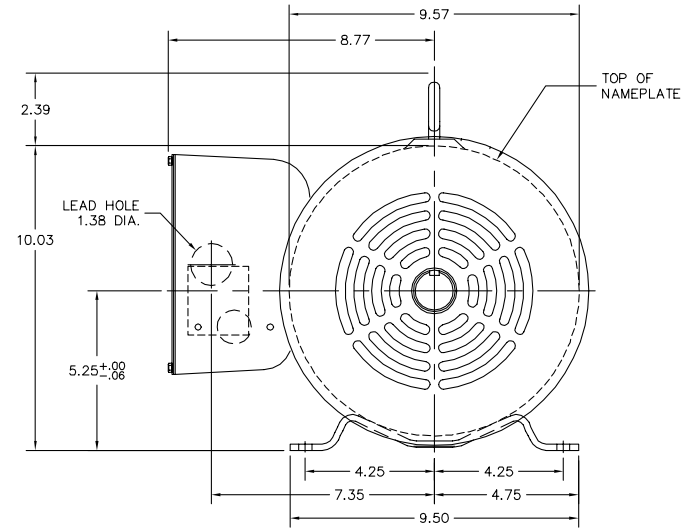
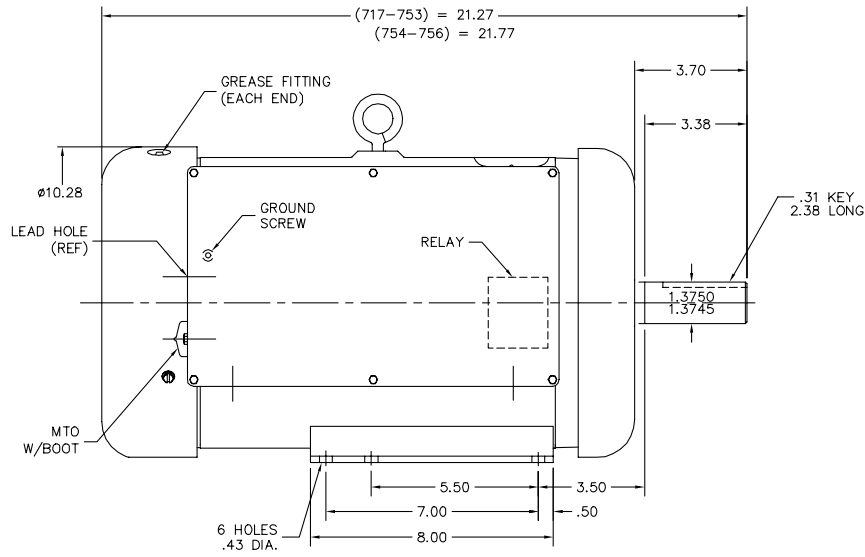
**Performance Data at 230V, 60Hz, 10.0HP (Typical performance - Not guaranteed values)**

General Characteristics							
Full Load Torque:	30.2 LB-FT			Start Configuration:	DOL		
No-Load Current:	10.0 Amps			Break-Down Torque:	107.2 LB-FT		
Line-line Res. @ 25°C.:	0.131 Ohms A Ph / 0.388 Ohms B Ph			Pull-Up Torque:	78.0 LB-FT		
Temp. Rise @ Rated Load:	93 C			Locked-Rotor Torque:	118.0 LB-FT		
Temp. Rise @ S.F. Load:				Starting Current:	300.0 Amps		
Load Characteristics							
% of Rated Load	25	50	75	100	125	150	S.F.
Power Factor:	79.0	91.0	94.0	96.0	96.0	96.0	0.0
Efficiency:	73.9	84.5	86.8	86.4	84.1	81.0	0.0
Speed:	1784.0	1768.0	1751.0	1732.0	1707.0	1679.0	0.0
Line Amperes:	13.6	21.0	29.5	39.0	50.0	62.5	0.0

Performance Graph at 230V, 60Hz, 10.0HP Typical performance - Not guaranteed values



37LYM294



37LYM294

CUSTOMER IS RESPONSIBLE FOR DETERMINING THAT BALDOR'S PRODUCT WILL PERFORM SUITABLY IN THE INTENDED APPLICATION.

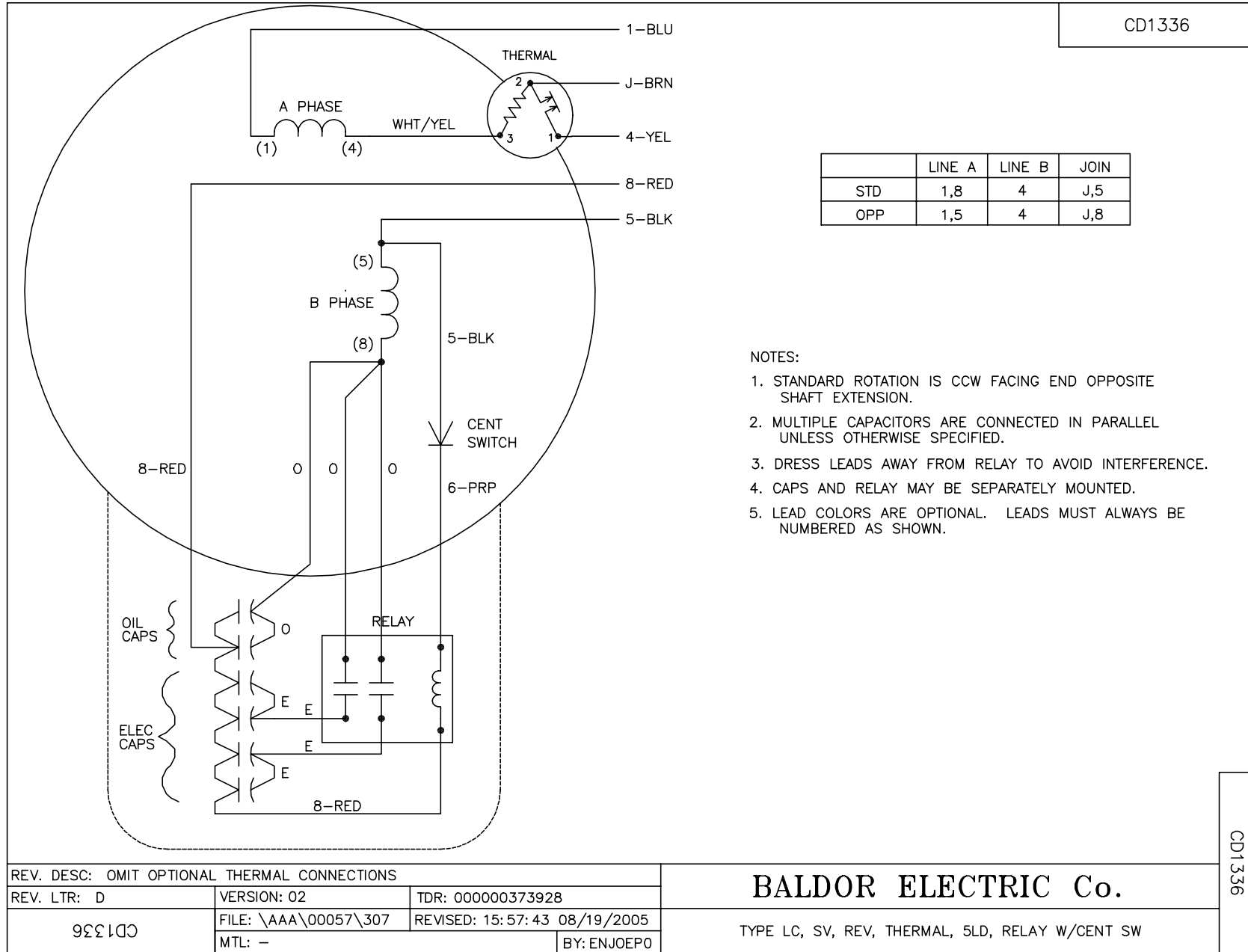
REV. DESC: NEW	VERSION: 00	TDR: 000000524014
REV. LTR: -	REVISED: 11:49:21 01/07/2010	BY: ENJOSRO
FILE: \AAA\00168\666		
MTL: -		

**BALDOR • DODGE • RELIANCE**

HOR 213-5T TEFC LC, DUAL EXFN, 1.50 MTO, FINNED ENDRING, TORQ

SH 1 of 1





CD1336

CD1336

**BALDOR ELECTRIC Co.**

TYPE LC, SV, REV, THERMAL, 5LD, RELAY W/CENT SW