

# **BALDOR**® • *RELIANCE*

## Product Information Packet

# GC24302

.05HP, 1340RPM, 1PH, 50/60HZ, BB-0, 2416C

Copyright © All product information within this document is subject to Baldor Electric Company copyright © protection, unless otherwise noted.

Part Detail							
Revision:	R	Status:	PRD/A	Change #:		Proprietary:	No
Type:	AC	Prod. Type:	2416C	Elec. Spec:	24WGW013	CD Diagram:	
Enclosure:	TENV	Mfg Plant:		Mech. Spec:		Layout:	
Frame:	BB	Mounting:		Poles:	04	Created Date:	
Base:		Rotation:	R	Insulation:	F	Eff. Date:	03-08-2012
Leads:	3#18	Literature:	Y	Elec. Diagram:		Replaced By:	

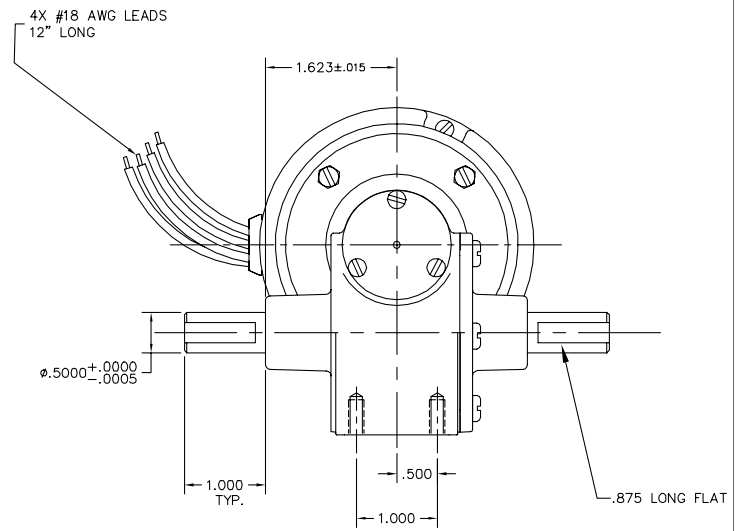
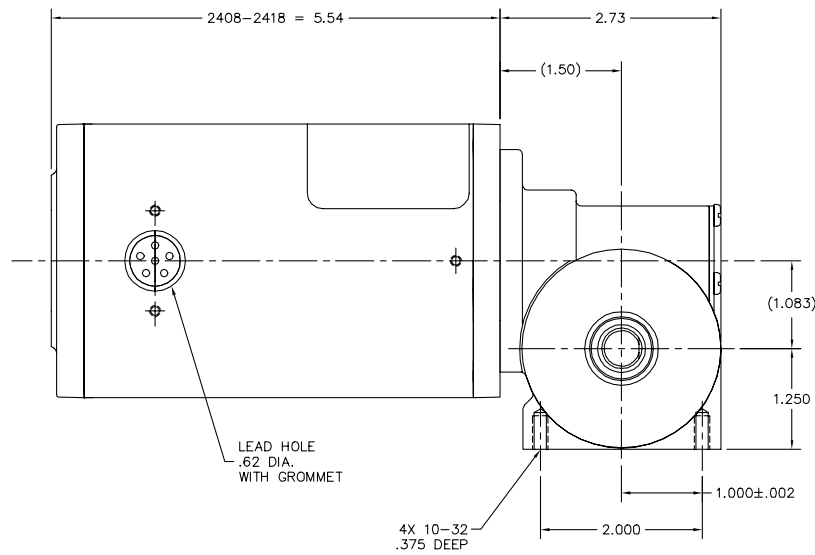
Nameplate NP1220A05			
CAT.NO.	GC24302		
SER.NO			
SPEC.	24E131W013G1		
HP	1/20	TE	
VOLTS	115		
AMP	.67//.69		
HZ	50//60	PH	1
AMB.	40	DUTY	CONT
CAP	10	CODE	-
SER.F.	1.00	CLASS	F
SF AMP			
R.P.M.	133//160		
TORQ/IN LB	14		
RATIO	10:1		
APRV-CE		APRV-CSA	APRV-UL

Parts List		
Part Number	Description	Quantity
SA053615	SA 24E131W013G1	1.000 EA
RA048328	RA 24E131W013G1	1.000 EA
SR000361	SR 24E131W013G1	1.000 EA
OC4010A02	DRY FILM METALLIZED CAP,10MFD 370V	1.000 EA
LC0895	CONN.DIAGRAM 1PH,SINGLE VOLT,TYPE PSC	1.000 EA
HA4021A05	1/16 NPSF-HX SOC PIPE PLUG TAPER DRY SEA	1.000 EA
BMH1746	WASHER,PREC .439"X.192" X.020"SPRING STE	3.000 EA
24EP3100A05G	EP,24AC ODE CL NONE	1.000 EA
HW5109A08	WASHER, WAVE SPRING FOR 30MM BORE SMALLE	1.000 EA
55XT0632G03	6-32 X 0.187 RD HD PHILLIPS, SERRATED	1.000 EA
HW3030A85	#8-32 UNC-3B ELASTIC STOPNUT TDR#21624	2.000 EA
24EP3108A01G	EP,24AC DE CL R8 RA	1.000 EA
HW5002A44	N5002-112 RET RING INTERNBEVELED F/6001	1.000 EA
HW4600D35	SEAL, TCM #050820SCW (.500" X .875" X	1.000 EA
HW5060A27	RET RING, 1/2" HEAVY DUTY	2.000 EA
HW3082B05	5/64 X 1/2 GROOVE PIN TYPE A,THRU HARDEN	1.000 EA
RM1037	GROMMET NEOPRENE - (65-75 DUROMETER)	1.000 EA
HA3199A84	THRU-BOLT PAN HEAD 8-32 X 5.250	2.000 EA
BHG5353-002G	HOUSING, B BOX GEAR HEAD	1.000 EA
BCG5490-001G	CAP, "B" BOX GEARHOUSING, MACH'D	1.000 EA
RM1057	RUBBER SQUARE RING 1.424 I.D.	1.000 EA
19XN1032A12	SCREW, HEX WASHER HEAD, #10-32 X .750	4.000 EA
BH1104	PAPZ0808-P14 SLEEVE BRG	1.000 EA
BH1104	PAPZ0808-P14 SLEEVE BRG	1.000 EA

Parts List (continued)		
Part Number	Description	Quantity
HW4600C29	SEAL, TCM #0507416 SCW .50X.75X.165 RB	1.000 EA
HW4600C29	SEAL, TCM #0507416 SCW .50X.75X.165 RB	1.000 EA
RM1078	RUBBER SQUARE RING 1.864 I.D.	1.000 EA
15XM0832A08	SCREW, 8-32X .500, THREAD FORMING	3.000 EA
HA1194B02	BLADDER,BDE EXPANSION	1.000 EA
15XM0632A06	SCREW, 6-32X .375, THREAD FORMING	3.000 EA
MJ1000B02	KLUB. GH6-460 GEAR OIL 1 LITER	0.008 GA
MJ5019A01	ADHESIVE LOCTITE #680 WAS BAD4525	0.010 EA
NP1220A05	NP,AC STD AD NONE V CE CSA UL GEAR MOTOR	1.000 EA
WM0038A02	WORM,BE 10.0 INP 1.083 C.D.	1.000 EA
LB5040	INSTRUCTION TAG, AC & DC	1.000 EA
LB1451	WARNING LABEL, CE WARNING SYMBOLS ONLY	1.000 EA
CPA1000	PACKING GROUP STD. SINGLE	1.000 EA
LB1171	LABEL CARTON 6X6 ON LINE BLANK ROLLS	1.000 EA

Accessories		
Part Number	Description	Multiplier
BKP2400	CONDUIT BOX KIT FOR 24 FRAME	A8

24LYE131



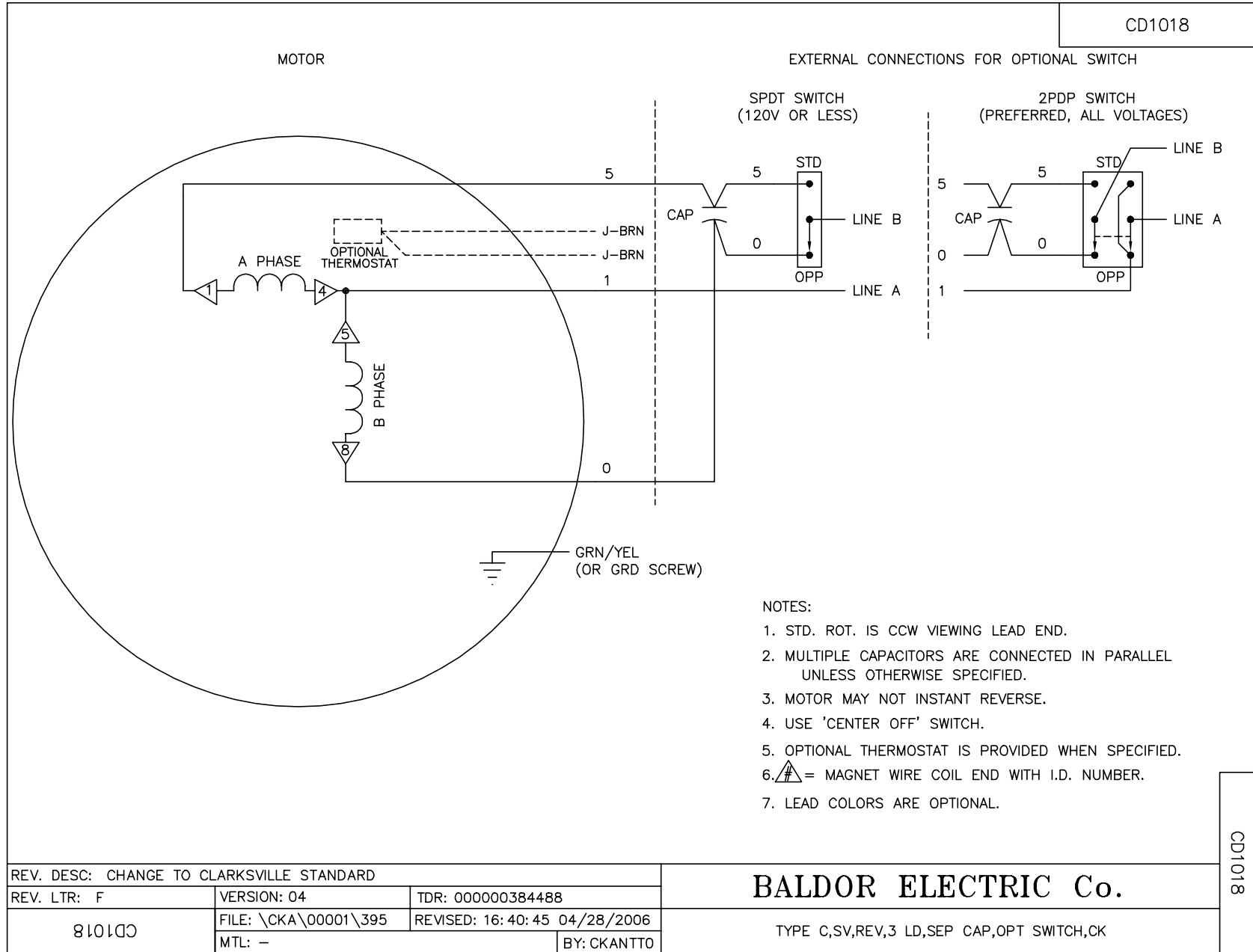
CUSTOMER IS RESPONSIBLE FOR DETERMINING THAT MOTOR PERFORMANCE IS SUITABLE IN THE APPLICATION.

REV. DESC: CHANGE THE NOTE FOR FLAT		
REV. LTR: E	VERSION: 04	TDR: 000000421246
FILE: \CKA\00009\992	REVISED: 15:15:54 01/31/2007	BY: CKMARD0
MTL: -		

**BALDOR ELECTRIC Co.**

LAYOUT,24 B TENV GP NONE

24LYE131



- NOTES:
1. STD. ROT. IS CCW VIEWING LEAD END.
  2. MULTIPLE CAPACITORS ARE CONNECTED IN PARALLEL UNLESS OTHERWISE SPECIFIED.
  3. MOTOR MAY NOT INSTANT REVERSE.
  4. USE 'CENTER OFF' SWITCH.
  5. OPTIONAL THERMOSTAT IS PROVIDED WHEN SPECIFIED.
  6. = MAGNET WIRE COIL END WITH I.D. NUMBER.
  7. LEAD COLORS ARE OPTIONAL.

CD1018