

BALDOR® • RELIANCE

Product Information Packet

GDL1610T

10HP, 1725RPM, 1PH, 60HZ, 215TZ, 3750LC, ODTF

Copyright © All product information within this document is subject to Baldor Electric Company copyright © protection, unless otherwise noted.

Part Detail							
Revision:	-	Status:	PRD/A	Change #:		Proprietary:	No
Type:	AC	Prod. Type:	3750LC	Elec. Spec:	37WGW563	CD Diagram:	
Enclosure:	ODTF	Mfg Plant:		Mech. Spec:	37M329	Layout:	
Frame:	215TZ	Mounting:	F1	Poles:	04	Created Date:	02-16-2010
Base:	RG	Rotation:	R	Insulation:	F	Eff. Date:	02-18-2010
Leads:	2#10 A PH,2#14 B PH	Literature:		Elec. Diagram:		Replaced By:	

Nameplate NP1256L

CAT.NO.	GDL1610T						
SPEC.	37M329W563						
HP	10						
VOLTS	230						
AMP	40						
RPM	1725						
FRAME	215TZ	HZ	60	PH	1		
SER.F.	1.00	CODE	G	DES	L	CLASS	F
NEMA-NOM-EFF	84	PF	95				
RATING	40C AMB-CONT						
CC	USABLE AT 208V						
DE	6307	ODE	6206				
ENCL	ODTF	SN					

Parts List		
Part Number	Description	Quantity
SA190966	SA 37M329W563	1.000 EA
RA178631	RA 37M329W563	1.000 EA
OC3040F09SP	CYL OIL CAP 40MFD/370V	3.000 EA
EC1216C06SP	ELEC CAP, 216-259 MFD, 250V, 2.06D X 4.	3.000 EA
HW3200A01	3/8-16X3/4 I-BLT WELDED F/S	1.000 EA
37CB5001A25	OPEN, A01 BOX W/LID, W/GASKETS - NO THRM	1.000 EA
37EP3200A38	FR ENDPLATE, 37L&M, OPEN, MACH, W/GRSR &	1.000 EA
HW4500A19	1/4-28X1/4 SLOTTED PLUG F/S	1.000 EA
SP1008A01	BAFFLE, MODEL 36 & 37	1.000 EA
13XT0832A07	8-32X7/16 TYP 23 PAN HD SLT DX	2.000 EA
HW5100A06	W2420-025 WVY WSHR (WB)	1.000 EA
37EP3400A08	EP PU OPEN 307 BRG W/GRSR, BAFFLE & SCRE	1.000 EA
37AD2000A01	BAFFLE PLATE, STAMPED PLATED	1.000 EA
60XW0632A06	6-32 X 3/8 TORX HEAD SCREW TAPTITE II	4.000 EA
HW4500A19	1/4-28X1/4 SLOTTED PLUG F/S	1.000 EA
HA1222	RODENT SCREEN - 37 C-FACE MOTORS	4.000 EA
51XW1032A06	10-32 X .38, TAPTITE II, HEX WSHR SLTD S	4.000 EA
HW1000A10	#10 FLAT WASHER (SAE)	4.000 EA
XY3118A12	5/16-18 HEX NUT DIRECTIONAL SERRATION	4.000 EA
10XN2520A30	HEX HD CAP SCREW-STD THD-.25 X 20 THD PE	4.000 EA
HW1001A25	LOCKWASHER 1/4, ZINC PLT .493 OD, .255 I	4.000 EA
51XB1214A20	12-14X1.25 HXWSSLD SERTYB	1.000 EA
07FH4004A33	SPL 307 DRIP COVER ODTF LESS GRILLE	1.000 EA
HA3218A05	M/FE STANDOFF UNIC#SX1043.25-20 .38 HEX	3.000 EA

Parts List (continued)		
Part Number	Description	Quantity
10XN2520A06	1/4 20X3/8 HX HD CAP	3.000 EA
HW1001A25	LOCKWASHER 1/4, ZINC PLT .493 OD, .255 I	3.000 EA
HA1005A07SP	SLINGER, OD 2.25, ID 1.344, 307 BRG	1.000 EA
HW2501F21	KEY, 5/16 SQ X 2.375	1.000 EA
HA7000A02	KEY RETAINER RING, 1 1/8 DIA, 1 3/8 DIA	1.000 EA
LB1115	LABEL,LIFTING DEVICE	1.000 EA
85XU0407S04	4X1/4 U DRIVE PIN STAINLESS	2.000 EA
MJ1000A75	GREASE, POLYREX EM EXXON	0.050 LB
MG1025Z20	ACTIVATOR WILKOFEST 060.32	0.010 GA
WD1000A15	3-520132-2 AMP FLAG (4M/RL NON-CANC/NON-	12.000 EA
SP5172A03	37 TYPE L TORQ STAT SWITCH LEAD ASSEMBLY	1.000 EA
HA3104A24	THRUBOLT- 5/16-18 X14.375 X	4.000 EA
37FN3002A01SP	EXFN, PLASTIC, 9.00 OD, 1.155 ID	1.000 EA
MG1025G29	PAINT 789.205 DARK GRAY METALLIC (USE W/	0.028 GA
LB1119	WARNING LABEL	1.000 EA
LB1125C01	STD (STOCK) CARTON LABEL BALDOR WITH FLA	1.000 EA
LC0086	CONNECTION LABEL	1.000 EA
NP1256L	ALUM UL CSA CC	1.000 EA
37PA1052	PACKAGING GROUP, 150 LB MTR 2 X 4 RUNNER	1.000 EA

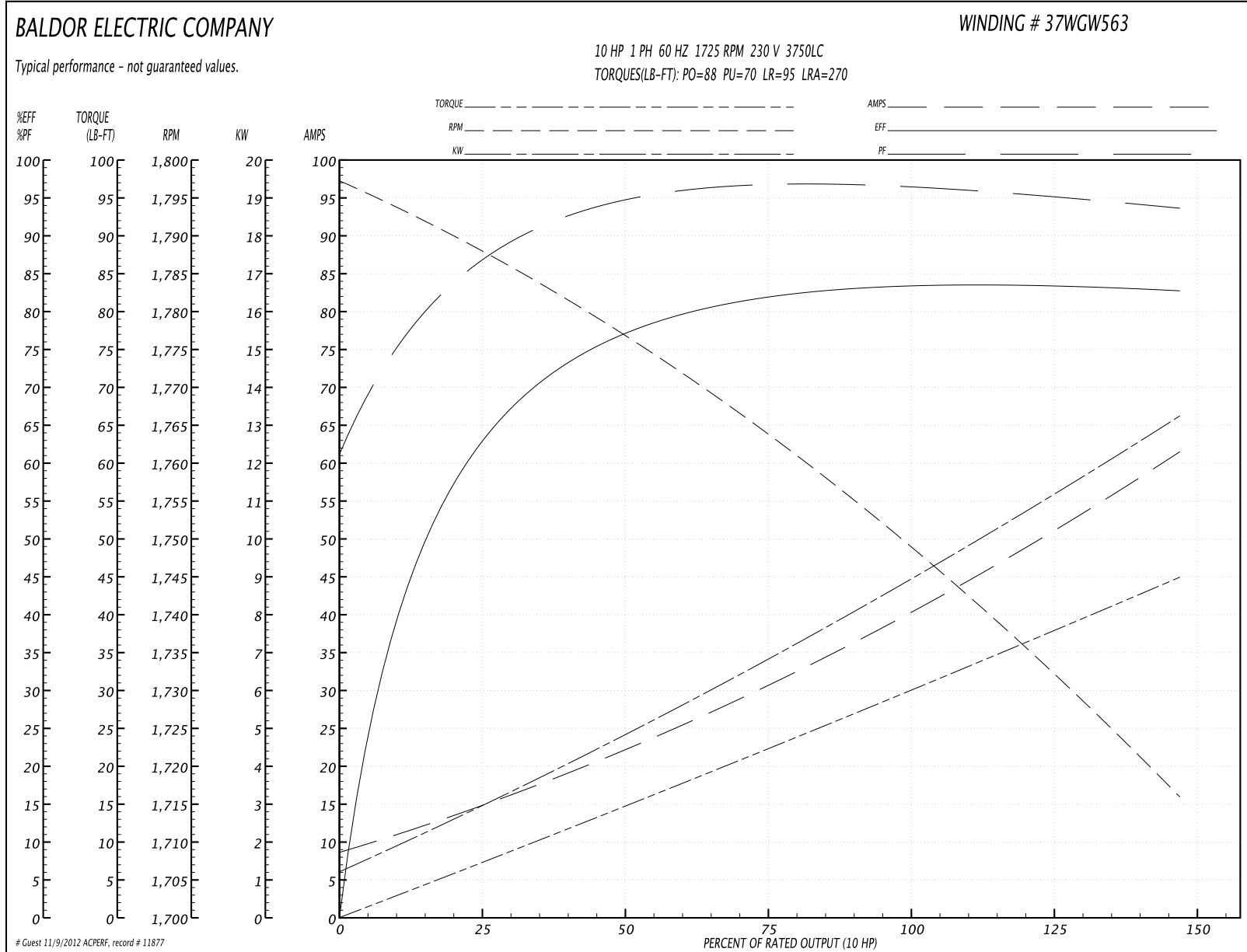
Accessories		
Part Number	Description	Multiplier
37-1404	C FACE KIT	A8

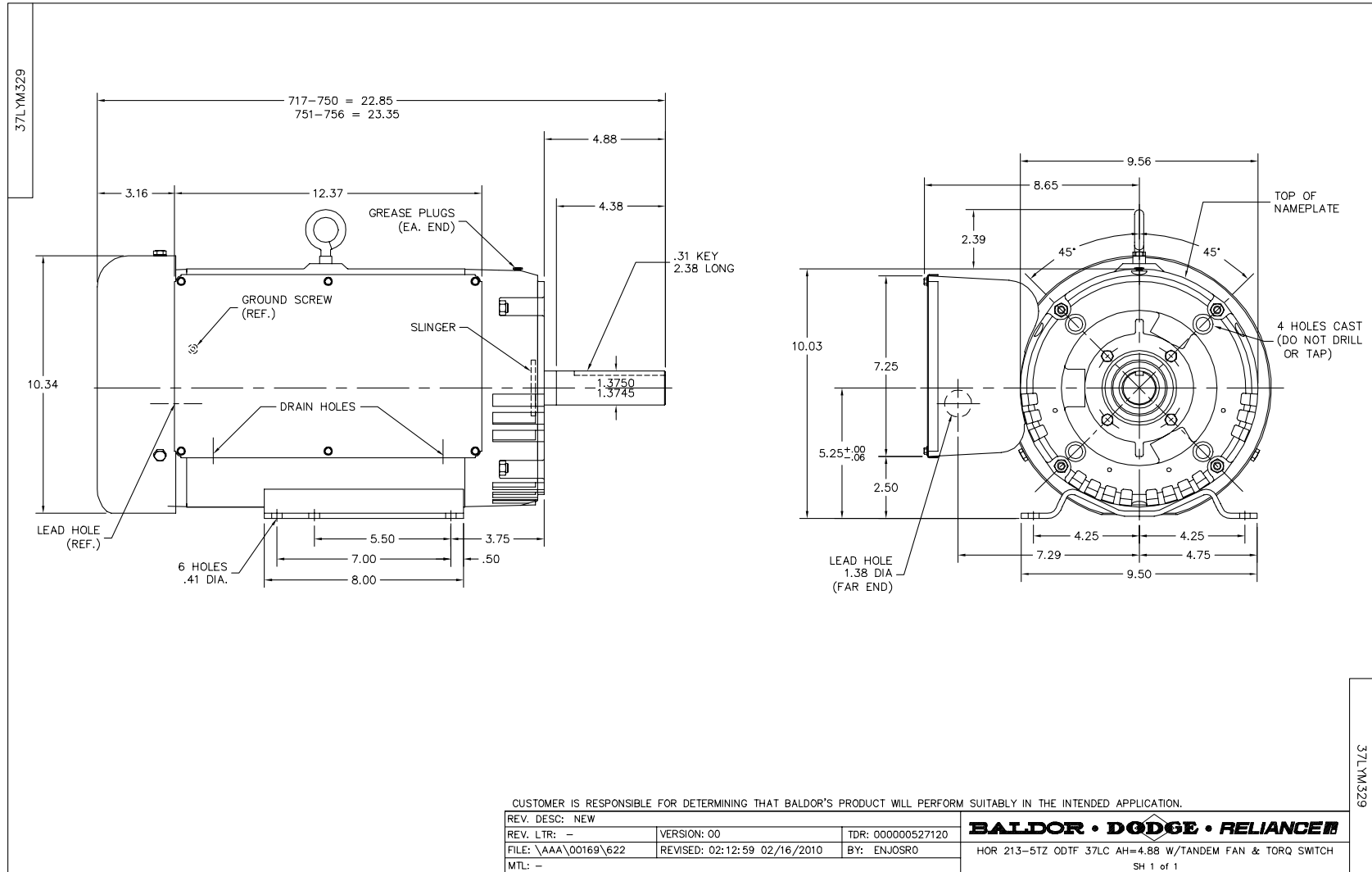
Performance Data at 230V, 60Hz, 10.0HP (Typical performance - Not guaranteed values)

General Characteristics			
Full Load Torque:	30.0 LB-FT	Start Configuration:	DOL
No-Load Current:	8.7 Amps	Break-Down Torque:	88.0 LB-FT
Line-line Res. @ 25°C.:	0.186 Ohms A Ph / 0.473 Ohms B Ph	Pull-Up Torque:	70.0 LB-FT
Temp. Rise @ Rated Load:	60 C	Locked-Rotor Torque:	95.0 LB-FT
Temp. Rise @ S.F. Load:		Starting Current:	270.0 Amps

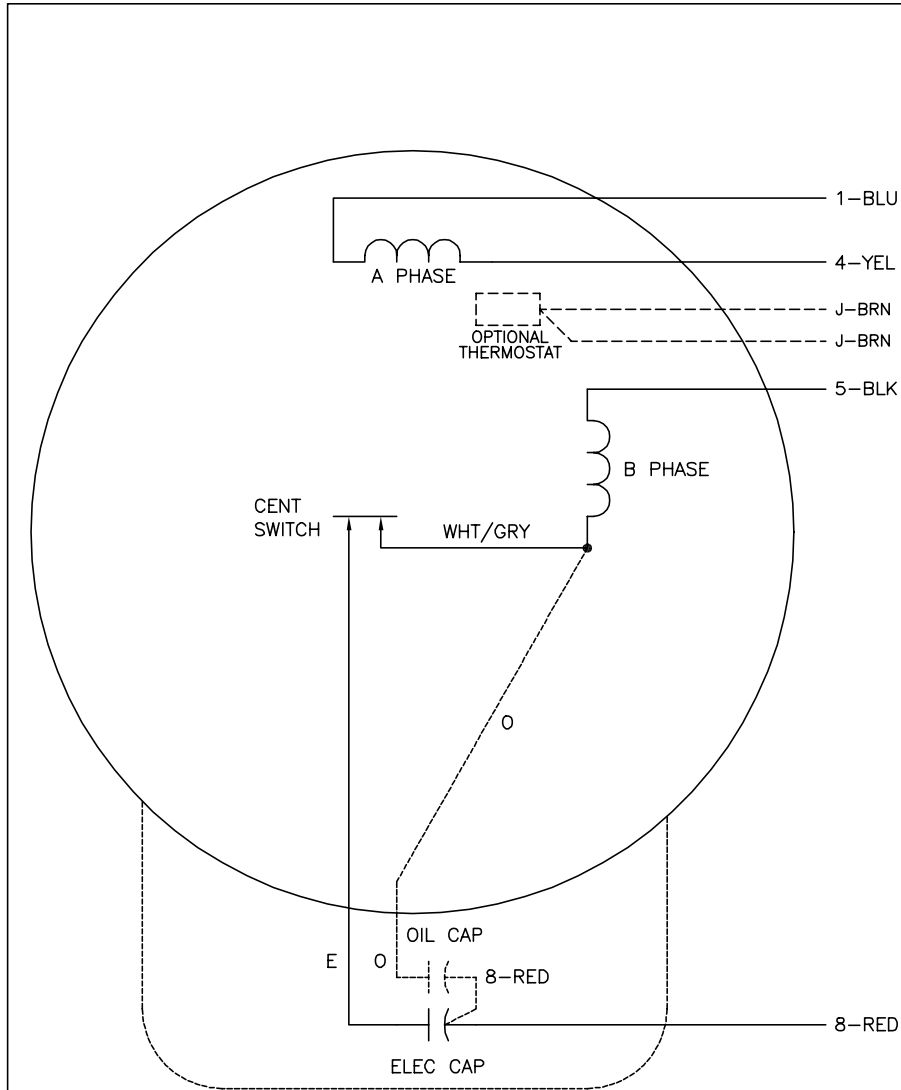
Load Characteristics							
% of Rated Load	25	50	75	100	125	150	S.F.
Power Factor:	88.0	94.0	96.0	96.0	96.0	96.0	0.0
Efficiency:	62.7	76.8	82.0	83.7	83.7	82.5	0.0
Speed:	1787.0	1776.0	1763.0	1750.0	1734.0	1715.0	0.0
Line Amperes:	14.8	22.5	31.0	40.3	50.4	61.6	0.0

Performance Graph at 230V, 60Hz, 10.0HP Typical performance - Not guaranteed values





CD0086



	LINE A	LINE B
STD	1,8	4,5
OPP	1,5	4,8

NOTES:

1. STANDARD ROTATION IS CCW FACING END OPPOSITE SHAFT EXTENSION.
2. OPTIONAL THERMOSTAT IS PROVIDED WHEN SPECIFIED.
3. MULTIPLE CAPACITORS ARE CONNECTED IN PARALLEL UNLESS OTHERWISE SPECIFIED.
4. OPTIONAL OIL CAPACITOR IS PROVIDED WHEN SPECIFIED.
5. CAPACITORS MAY BE SEPERATELY MOUNTED.
6. LEAD COLORS ARE OPTIONAL. LEADS MUST ALWAYS BE NUMBERED AS SHOWN.

REV. DESC: ADDED CK TO PLANT CODE			
REV. LTR: F	BY: JD	REVISED: 16:01:12 01/07/2002	TDR: 259409
9800D		FILE: AAA00026904	REF: CD0086
		MTL: -	

BALDOR ELECTRIC Co.

TYPE L OR LC, SV, REV, 4 LEADS, CAPS MAY BE SEP MTD

CD0086