

BALDOR® • *RELIANCE*

Product Information Packet

GDL1615T

16HP, 1760RPM, 1PH, 60HZ, 256TZ, 3956LC, OPSB

Copyright © All product information within this document is subject to Baldor Electric Company copyright © protection, unless otherwise noted.

Part Detail							
Revision:	S	Status:	PRD/A	Change #:		Proprietary:	No
Type:	AC	Prod. Type:	3956LC	Elec. Spec:	39WGX522	CD Diagram:	
Enclosure:	OPSB	Mfg Plant:		Mech. Spec:	39T017	Layout:	
Frame:	256TZ	Mounting:	F1	Poles:	04	Created Date:	10-03-2005
Base:	RG	Rotation:	R	Insulation:	F	Eff. Date:	11-02-2012
Leads:	2#6 A PH,2#12 B PH	Literature:		Elec. Diagram:		Replaced By:	

Nameplate NP1256L									
CAT.NO.	GDL1615T								
SPEC.	39T017X522								
HP	16								
VOLTS	208-230								
AMP	71-62								
RPM	1760								
FRAME	256TZ	HZ	60	PH	1				
SER.F.	1.00	CODE	L	DES	L	CLASS	F		
NEMA-NOM-EFF	86.5	PF	96						
RATING	40C AMB-CONT								
CC	USABLE AT 208V								
DE	6309	ODE	6307						
ENCL	OPSB	SN							

Parts List		
Part Number	Description	Quantity
SA133990	SA 39T017X522	1.000 EA
RA123832	RA 39T017X522	1.000 EA
OC3050F09SP	CYL OIL CAP 50MFD/370V	2.000 EA
RE0045A00	RELAY,GE #CR453CB2BAA, 100 AMP	1.000 EA
EC1216C06SP	ELEC CAP, 216-259 MFD, 250V, 2.06D X 4.	4.000 EA
HA6361A01	LIFTING LUG FOR 37, 39 & 40 FRAME (AUTOP	2.000 EA
37CB3804A67	SPL CAPAC. BX 37 MOTORS FOR 6-7 CAPAC. W	1.000 EA
37GS3015	GASKET, CAPAC BOX	1.000 EA
51XW2520A12	.25-20 X .75, TAPTITE II, HEX WSHR SLTD	4.000 EA
HA6003A47	CAPAC CLAMP	1.000 EA
HA7419	SPL BRACKET FOR MTG. CONTACT TO SINGLE P	1.000 EA
51XW1032A06	10-32 X .38, TAPTITE II, HEX WSHR SLTD S	7.000 EA
HA6003A45	CAPAC CLAMP - CLIP (WHITE ZINC PLATED)	2.000 EA
51XB1016A08	10-16X 1/2HXWSSLD SERTYB	2.000 EA
WD1000D90	90 DEG INSUL. FLAG TERMINAL RC2577FM	2.000 EA
WD1000A03	41531 AMP FLG.TERM,4M/REEL(2.5MIL)	30.000 EA
WD1000D101	TRM,RT ANG FLAG,T&B #C10-250A,12-10 GA.	1.000 EA
52XF1032G06	10-32X3/8 HX STD SER TYF	1.000 EA
HW1001A10	WASHER, #10 SPLT LK, ZN X	1.000 EA
39EP3200A53	FREP 307 BRG, NO GREASER W/STATIONARY SW	1.000 EA
HA1101A01	RODENT SCREEN, 39 MTR	1.000 EA
51XW1032A06	10-32 X .38, TAPTITE II, HEX WSHR SLTD S	4.000 EA
SP5165	MODEL 39 DOUBLE ARM STATIONARY SWITCH	1.000 EA
NS2557	SWITCH INSULATOR 39 FRAME	1.000 EA

Parts List (continued)		
Part Number	Description	Quantity
51XW0832A07	8-32 X .44, TAPTITE II, HEX WSHR SLTD SE	2.000 EA
HW5100A08	W3118-035 WVY WSHR (WB)	1.000 EA
39EP3201A14	PU ENDPLATE, MACH	1.000 EA
HA1101A01	RODENT SCREEN, 39 MTR	1.000 EA
51XW1032A06	10-32 X .38, TAPTITE II, HEX WSHR SLTD S	4.000 EA
XY3816A12	3/8-16 FINISHED NUT	8.000 EA
37CB4509	CAPAC BOX LID, STAMPED	1.000 EA
37GS3016	GASKET, CAPAC BOX LID	1.000 EA
HW2501G25	KEY, 3/8 SQ X 2.875	1.000 EA
LB1115	LABEL,LIFTING DEVICE	1.000 EA
LB5040	INSTRUCTION TAG, AC & DC	1.000 EA
39AD2002A01	BAFFLE PLATE 39 OPEN, SLOTTED BAND MTRS	1.000 EA
MJ1000A75	GREASE, POLYREX EM EXXON	0.030 LB
39AD2002A01	BAFFLE PLATE 39 OPEN, SLOTTED BAND MTRS	1.000 EA
HA3154A03	STUD, 3/8-16 X 17.75	4.000 EA
51XB1016A07	10-16 X 7/16 HXWSSLD SERTYB	6.000 EA
MG1025G05	PAINT 789.201	0.050 GA
85XU0407A04	#4-7 X 1/4 DRIVE PIN	2.000 EA
LB1119	WARNING LABEL	1.000 EA
LB1125C01	STD (STOCK) CARTON LABEL BALDOR WITH FLA	4.000 EA
LC0017	CONN LABEL-1 PHASE-SINGLE VOLT-REV ROTNO	1.000 EA
NP1256L	ALUM UL CSA CC	1.000 EA
40PA1000	PACKAGING GROUP	1.000 EA

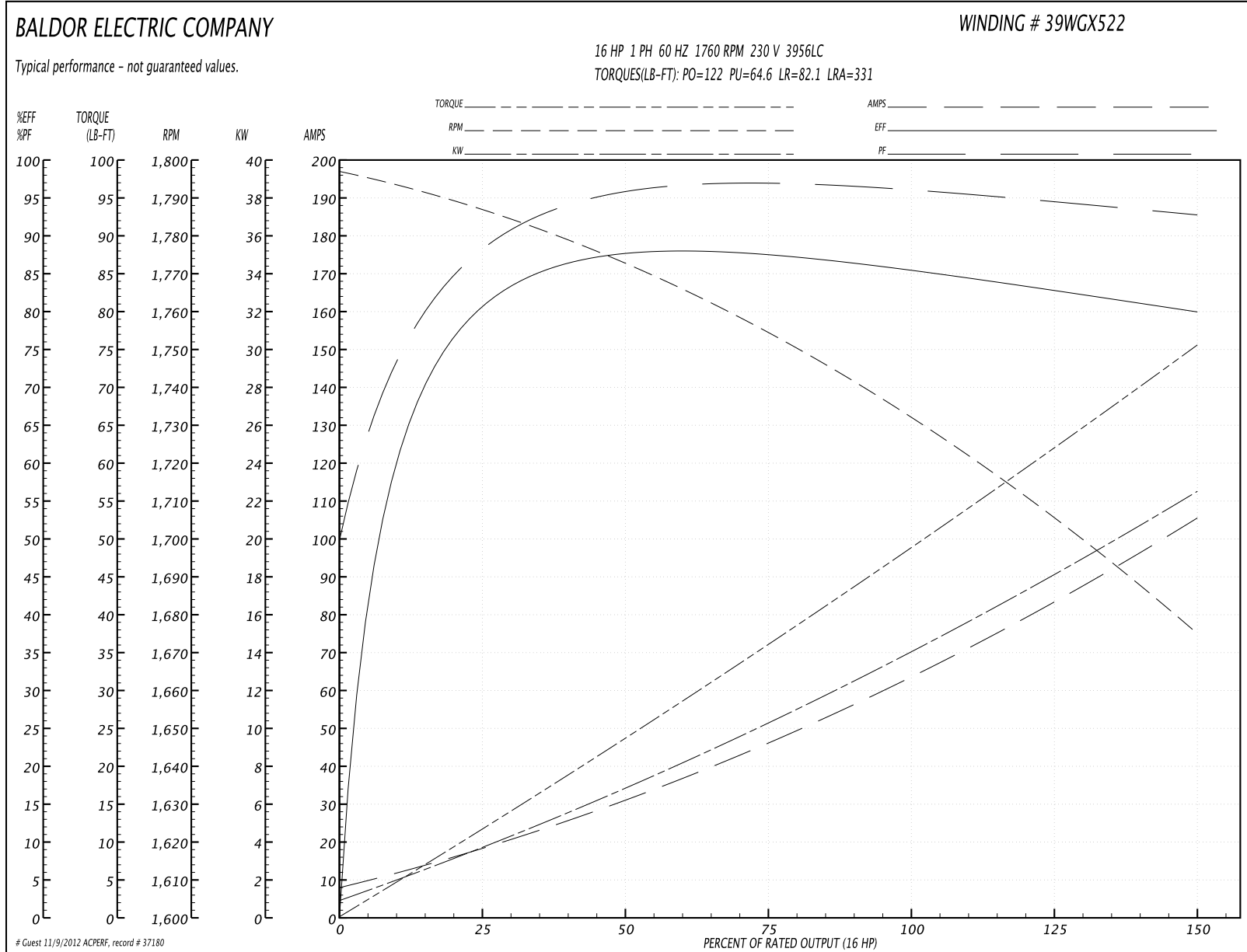
Accessories		
Part Number	Description	Multiplier
39-3400	C FACE KIT	A8

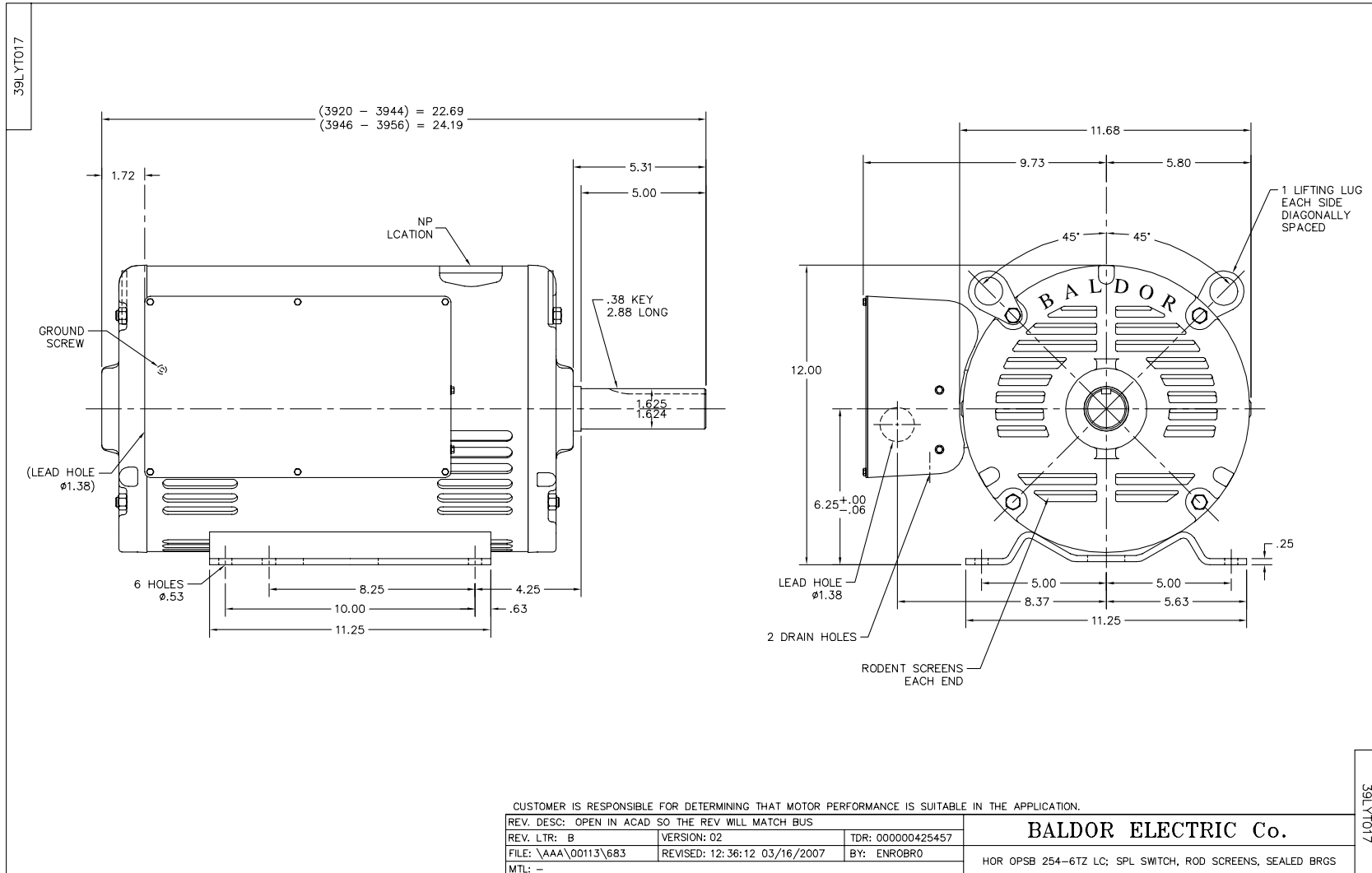
Performance Data at 230V, 60Hz, 16.0HP (Typical performance - Not guaranteed values)

General Characteristics			
Full Load Torque:	48.7 LB-FT	Start Configuration:	DOL
No-Load Current:	7.42 Amps	Break-Down Torque:	122.0 LB-FT
Line-line Res. @ 25°C.:	0.11 Ohms A Ph / 0.419 Ohms B Ph	Pull-Up Torque:	64.6 LB-FT
Temp. Rise @ Rated Load:	54 C	Locked-Rotor Torque:	82.1 LB-FT
Temp. Rise @ S.F. Load:		Starting Current:	331.0 Amps

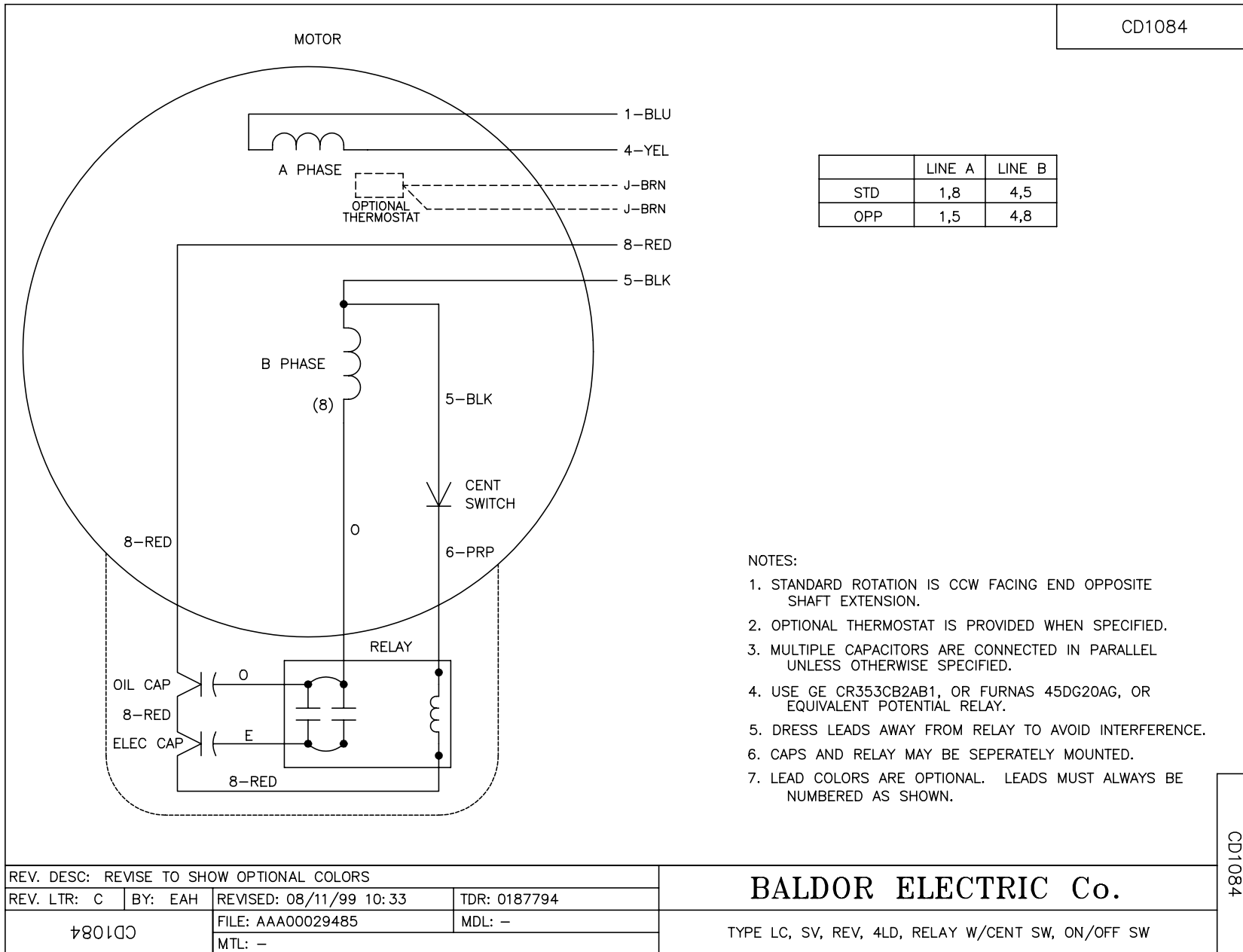
Load Characteristics							
% of Rated Load	25	50	75	100	125	150	S.F.
Power Factor:	91.0	96.0	96.0	96.0	95.0	93.0	0.0
Efficiency:	82.9	78.7	89.1	87.3	84.2	78.8	0.0
Speed:	1785.0	1771.0	1753.0	1734.0	1710.0	1672.0	0.0
Line Amperes:	17.5	34.6	45.6	62.4	81.4	107.0	0.0

Performance Graph at 230V, 60Hz, 16.0HP Typical performance - Not guaranteed values





CD1084



NOTES:

1. STANDARD ROTATION IS CCW FACING END OPPOSITE SHAFT EXTENSION.
2. OPTIONAL THERMOSTAT IS PROVIDED WHEN SPECIFIED.
3. MULTIPLE CAPACITORS ARE CONNECTED IN PARALLEL UNLESS OTHERWISE SPECIFIED.
4. USE GE CR353CB2AB1, OR FURNAS 45DG20AG, OR EQUIVALENT POTENTIAL RELAY.
5. DRESS LEADS AWAY FROM RELAY TO AVOID INTERFERENCE.
6. CAPS AND RELAY MAY BE SEPERATELY MOUNTED.
7. LEAD COLORS ARE OPTIONAL. LEADS MUST ALWAYS BE NUMBERED AS SHOWN.

CD1084

REV. DESC: REVISE TO SHOW OPTIONAL COLORS			
REV. LTR: C	BY: EAH	REVISED: 08/11/99 10:33	TDR: 0187794
†8010C		FILE: AAA00029485	MDL: -
		MTL: -	

BALDOR ELECTRIC Co.

TYPE LC, SV, REV, 4LD, RELAY W/CENT SW, ON/OFF SW