

BALDOR® • **RELIANCE**

Product Information Packet

GF2524AG

900 SERIES FLANGED WRM GEAR REDUCER

Copyright © All product information within this document is subject to Baldor Electric Company copyright © protection, unless otherwise noted.

Nameplate NP1753L				
INPUT H.P.	1.37			
RATIO	25	R TORQ-INLB	1002	
	F-924-25-B5-G			
CAT./SPEC	GF2524AG			GR0134C076
DATE CODE				

Parts List		
Part Number	Description	Quantity
HG0018A07	924 WORMGEAR HOUSING, SYMM SEALED	1.000 EA
HW4001A02	3/8 HX SOC PIPE PLUG W/.75" TAPER (F/S)	1.000 EA
921-1SR	N5000-244 RET RING	2.000 EA
WM0061B05	924 MTZ WORM ASSY 25:1 RATIO 5/8 W/O	1.000 EA
BG6305A01	6305 OPEN,C3,SLUSH	1.000 EA
HW5060A58	RET RING 5160-98 WALDES FOR .984 OR 1.00	1.000 EA
HA3555A05	EXPANSION PLUG 2.447/2.443 X .28	1.000 EA
HW4600F15	35 X 62 X 8 SGLLIP, HNBR	1.000 EA
GF0005A01	921-3F56 GEAR FLANGE 2.06 & 2.38 CD NEMA	1.000 EA
10XN3118K22	5/16-18 X 1.38" HEX HD, GRADE 5 20043	4.000 EA
HW1001A31	LOCKWASHER 5/16, ZINC PLT.591 OD, .319 I	4.000 EA
BS0021A02	924-5 BEARING SUPPORT, OPEN - FOR SYMM H	1.000 EA
GS0036A01	WORMGEAR GASKET, .003 (GREEN), 4.15 ID X	1.000 EA
GS0036A02	WORMGEAR GASKET, .005 (BLUE), 4.15 ID X	2.000 EA
GS0036A03	WORMGEAR GASKET, .010 (BROWN), 4.15 ID X	2.000 EA
HW4600C88	1.125 X 1.624 X 0.250 DBLLIP, CR #11124	1.000 EA
10XN3118K14	5/16-18 X .88 HEX MACH SCREW, GRADE 5	4.000 EA
SG0013B06	924 GR SHF ASSY 25:1, SGL O/P, W/COM	1.000 EA
BS0049A02	924-5 BEARING SUPPORT, CLOSED - FOR SYMM	1.000 EA
GS0036A01	WORMGEAR GASKET, .003 (GREEN), 4.15 ID X	1.000 EA
GS0036A02	WORMGEAR GASKET, .005 (BLUE), 4.15 ID X	2.000 EA
GS0036A03	WORMGEAR GASKET, .010 (BROWN), 4.15 ID X	2.000 EA
10XN3118K14	5/16-18 X .88 HEX MACH SCREW, GRADE 5	4.000 EA
MJ1000A90	KLUBERSYNTH UH1-6-460 WORMGEAR OIL	0.206 GA

Parts List (continued)		
Part Number	Description	Quantity
MJ5019A01	ADHESIVE LOCTITE #680 WAS BAD4525	0.001 EA
MJ5004A35	ADHESIVE LOCTITE #243-31 50 ML	0.001 EA
MJ5001A19	LOCTITE #598 ULTRA BLACK, 50 LB PAIL, IT	0.010 LB
MG1000G28SPP	400-0096 Haps Free Met. Gray Lacq.	0.010 GA
LB5042	TOE TAG, OIL PREFILL KLUBERSYN (250/pk)	1.000 EA
LT0066A08	REDUCER INSTALL/MAINT - KLUBE 11/05	1.000 EA
NP1753L	RIVETED LASER NP, GEAR REDUCER, UH1 6-46	1.000 EA
LB1242	ADHESIVE PATCH 1.10 X 2.03 X .045 THICK	1.000 EA
G1PA1001	PKG. GROUP, MED GEAR W/G1PK5001A01	1.000 EA
HW2514A02	KEY .250 X 1.250 1045 STEEL	1.000 EA
MJ1000B01	ANTISEIZE - ALTEMP Q NB 50, 750 GRAM CAN	0.001 EA
HW0003D04	USER H/W PKG - 3/8 BOLT, WASHER & 3/8 P	1.000 EA

GY0134A01

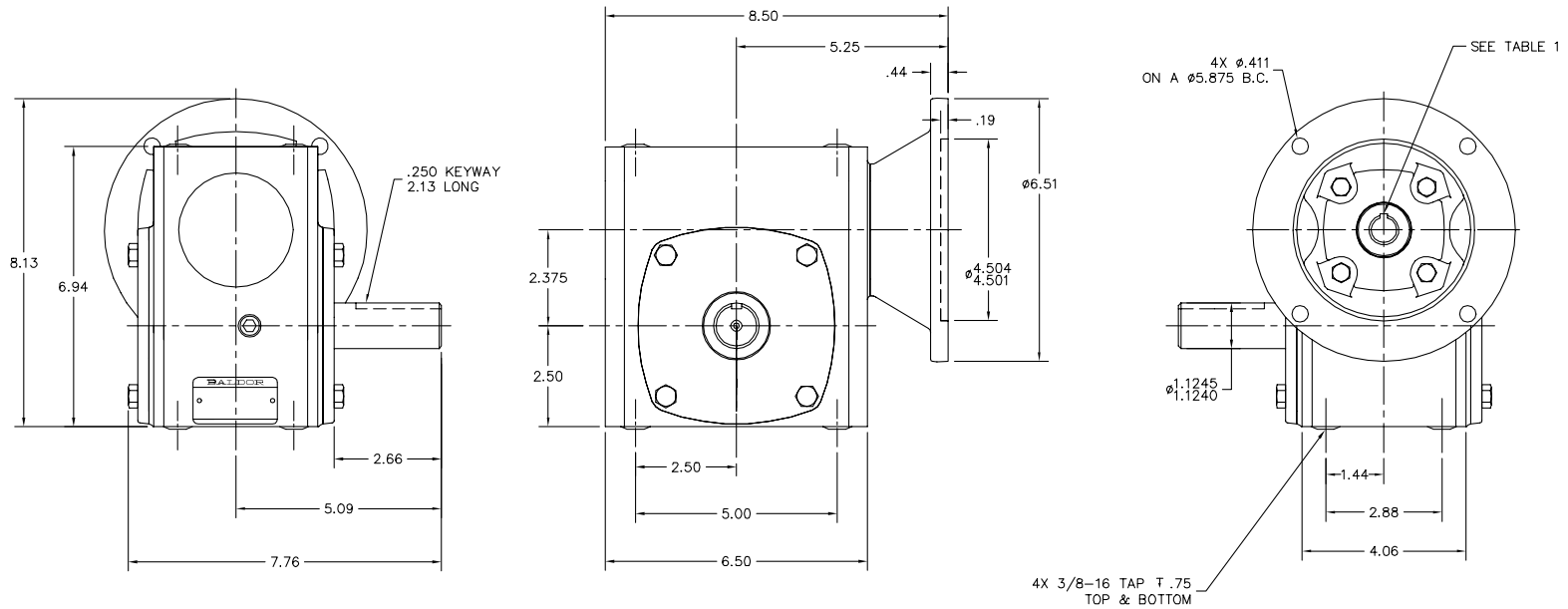


TABLE 1:

	BORE	KEYWAY
B5	.625	.188
B7	.875	.188

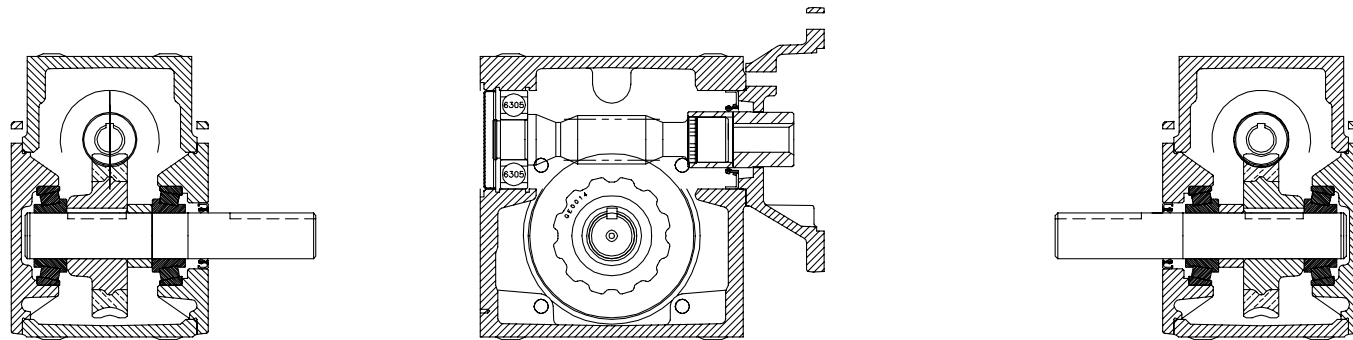
CUST. NAME:		CUST. P.O.:		REV. DESC: ADD SECTION VIEWS	
MODEL:		CATALOG/SPEC NO.:		REV. LTR: B	VERSION: 02
RATIO:		MAX. INPUT HP:	OUTPUT TORQUE:	FILE: \CKA\00010\094	REVISED: 08:29:29 06/21/2007
RATINGS ARE AGMA CLASS 1 SERVICE AT 1750 RPM INPUT		CERTIFIED BY:		MTL: -	BY: CKGLEHO

Baldor • Dodge • Reliance

F-924-G STANDARD MOUNTING

GY0134A01

GY0134A01



GY0134A01

CUST. NAME:		CUST. P.O.:		REV. DESC: ADD SECTION VIEWS	
MODEL:		CATALOG/SPEC NO.:		REV. LTR: B	VERSION: 02
RATIO:	MAX. INPUT HP:	OUTPUT TORQUE:	FILE: \CKA\00010\094	REVISED: 08:29:30 06/21/2007	TDR: 000000435265
RATINGS ARE AGMA CLASS 1 SERVICE AT 1750 RPM INPUT		CERTIFIED BY:	MTL: -	BY: CKGLEHO	

Baldor • Dodge • Reliance

F-924-G STANDARD MOUNTING