

# **BALDOR**® • *RELIANCE*

## Product Information Packet

# GF2526BG

F-926-25-B7-G

Copyright © All product information within this document is subject to Baldor Electric Company copyright © protection, unless otherwise noted.

Nameplate NP1753L				
INPUT H.P.	1.73			
RATIO	25	R TORQ-INLB	1307	
	F-926-25-B7-G			
CAT./SPEC	GF2526BG			GR0135C041
DATE CODE				

Parts List		
Part Number	Description	Quantity
HG0016A08	926 GEAR HOUSING, SYMM SEALED	1.000 EA
HW4001A02	3/8 HX SOC PIPE PLUG W/.75" TAPER (F/S)	1.000 EA
926-1SR	N5000-281 WALDES TRUARC RETAINING RING	2.000 EA
WM0062B15	926 MTZ WORM ASSY 25:1 RATIO 7/8 BORE	1.000 EA
BG6306A01	6306 OPEN,C3,SLUSH	1.000 EA
HW5060A38	RET RING 5160-118(WALDES)	1.000 EA
HA3555A08	EXPANSION PLUG 2.841/2.837 X 5/16	1.000 EA
HW4600F16	1.688 X 2.835 X 0.469 SGLLIP, HNBR	1.000 EA
GF0007A01	926-3F56 GEAR FLANGE MACH 2.62 & 3.25 CD	1.000 EA
84XN3118J24	5/16-18X1 1/2 HX SOC HD CP MACH SCR UN S	4.000 EA
HW1001A31	LOCKWASHER 5/16, ZINC PLT.591 OD, .319 I	4.000 EA
BS0019A02	926-5 BEARING SUPPORT, OPEN-FOR SYMM HSG	1.000 EA
GS0037A01	WORMGEAR GASKET, .003 (GREEN), 4.65 ID X	1.000 EA
GS0037A02	WORMGEAR GASKET, .005 (BLUE), 4.65 ID X	2.000 EA
GS0037A03	WORMGEAR GASKET, .010 (BROWN), 4.65 ID X	2.000 EA
HW4600C88	1.125 X 1.624 X 0.250 DBLLIP, CR #11124	1.000 EA
10XN3118K14	5/16-18 X .88 HEX MACH SCREW, GRADE 5	6.000 EA
SG0012B01	926 GR SHF ASSY 25:1, SGL O/P, W/COM	1.000 EA
BS0048A02	926-5 BEARING SUPPORT, CLOSED-FOR SYMM H	1.000 EA
GS0037A01	WORMGEAR GASKET, .003 (GREEN), 4.65 ID X	1.000 EA
GS0037A02	WORMGEAR GASKET, .005 (BLUE), 4.65 ID X	2.000 EA
GS0037A03	WORMGEAR GASKET, .010 (BROWN), 4.65 ID X	2.000 EA
10XN3118K14	5/16-18 X .88 HEX MACH SCREW, GRADE 5	6.000 EA
MJ1000A90	KLUBERSYNTH UH1-6-460 WORMGEAR OIL	0.287 GA

Parts List (continued)		
Part Number	Description	Quantity
MJ5019A01	ADHESIVE LOCTITE #680 WAS BAD4525	0.001 EA
MJ5004A35	ADHESIVE LOCTITE #243-31 50 ML	0.001 EA
MJ5001A19	LOCTITE #598 ULTRA BLACK, 50 LB PAIL, IT	0.010 LB
MG1000G28SPP	400-0096 Haps Free Met. Gray Lacq.	0.010 GA
LB5042	TOE TAG, OIL PREFILL KLUBERSYN (250/pk)	1.000 EA
LT0066A08	REDUCER INSTALL/MAINT - KLUBE 11/05	1.000 EA
NP1753L	RIVETED LASER NP, GEAR REDUCER, UH1 6-46	1.000 EA
LB1242	ADHESIVE PATCH 1.10 X 2.03 X .045 THICK	1.000 EA
35PA1000	PACKING GROUP	1.000 EA
HW2513A13	KEY .250 X 2.000 1018 STEEL	1.000 EA
MJ1000B01	ANTISEIZE - ALTEMP Q NB 50, 750 GRAM CAN	0.001 EA
HW0003D04	USER H/W PKG - 3/8 BOLT, WASHER & 3/8 P	1.000 EA

Accessories		
Part Number	Description	Multiplier
B26H71	BASE-HORIZONTAL POS. A/B 926	A8
B26V81	BASE-VERTICAL LOW POS. D/F 926	A8
B26V91	BASE-VERTICAL HIGH POS. C/E 926	A8
B26J92	BASE-INPUT VERTICAL POS. X/Y 926	A8
FL26HK	OUTPUT FLANGE KIT, STAMP STEEL 926	A8
133-6FBA	INPUT BUSHING KIT 5/8 TO 7/8	A8
RBK26B5	RISER BLOCK KIT 56C/140TC 926	A8

GY0135A01

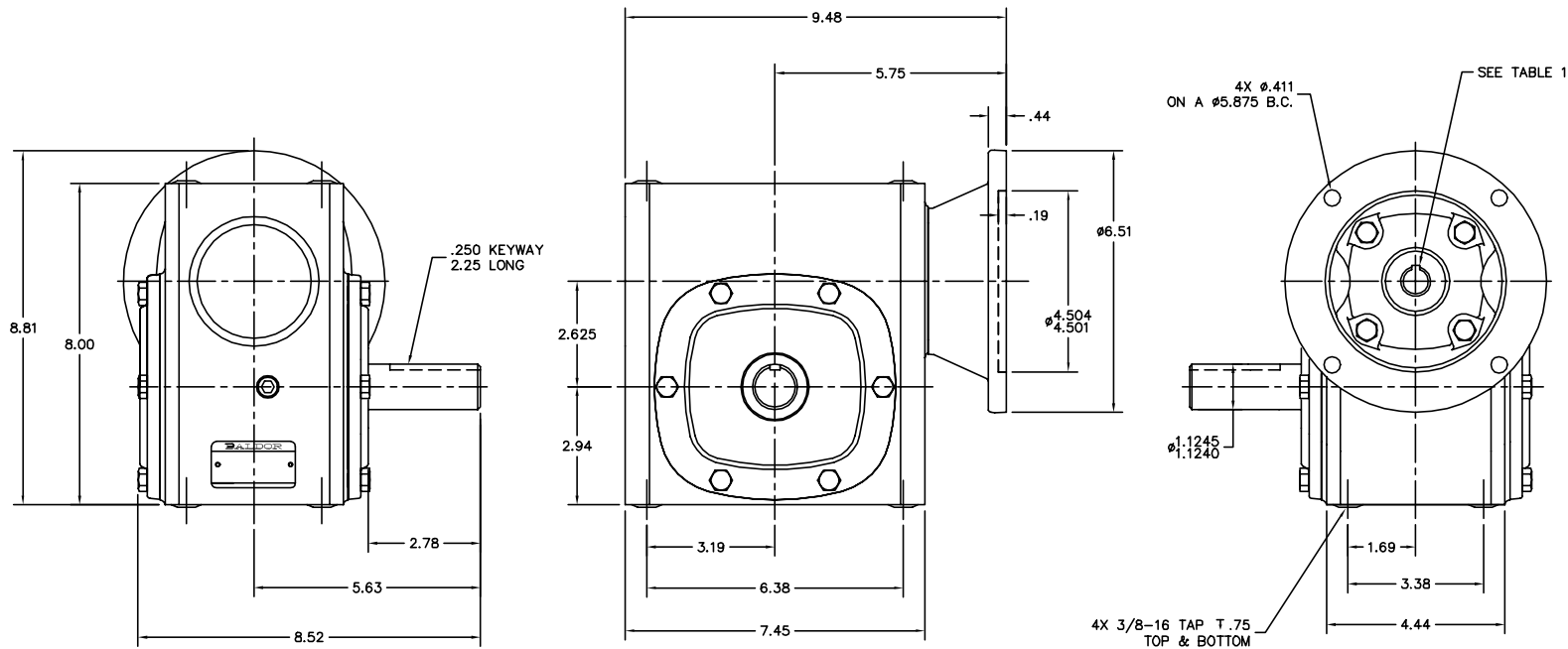


TABLE 1:

	BORE	KEYWAY
B5	.625	.188
B7	.875	.188

CUST. NAME:		CUST. P.O.:		REV. DESC: CHG HG0016A03 TO HG0016A08 WORMGEAR HOUSING			
MODEL:		CATALOG/SPEC NO.:		REV. LTR: A	BY: PAW	REVISED: 16:02:30 09/02/2004	TDR: 341884
RATIO:		MAX. INPUT HP:		OUTPUT TORQUE:		FILE: CKA00010113	REF: GY0135A01
RATINGS ARE AGMA CLASS 1 SERVICE AT 1750 RPM INPUT				CERTIFIED BY:		MTL: -	

**BALDOR ELECTRIC Co.**

F-926-B5/B7-G STANDARD MOUNTING

GY0135A01