

# **BALDOR**® • *RELIANCE*

## Product Information Packet

# GPP232110

G.M. R14NA 90V DC 19 RPM 90:1

Copyright © All product information within this document is subject to Baldor Electric Company copyright © protection, unless otherwise noted.

| Part Detail |      |             |       |                |          |               |            |
|-------------|------|-------------|-------|----------------|----------|---------------|------------|
| Revision:   | Z    | Status:     | PRD/A | Change #:      |          | Proprietary:  | No         |
| Type:       | DC   | Prod. Type: |       | Elec. Spec:    | 23WGZ002 | CD Diagram:   |            |
| Enclosure:  | TENV | Mfg Plant:  |       | Mech. Spec:    |          | Layout:       |            |
| Frame:      | PSSH | Mounting:   |       | Poles:         | ///      | Created Date: |            |
| Base:       |      | Rotation:   |       | Insulation:    | F        | Eff. Date:    | 04-11-2012 |
| Field Type: |      | Literature: |       | Elec. Diagram: |          | Replaced By:  |            |

**Nameplate NP1220A08**

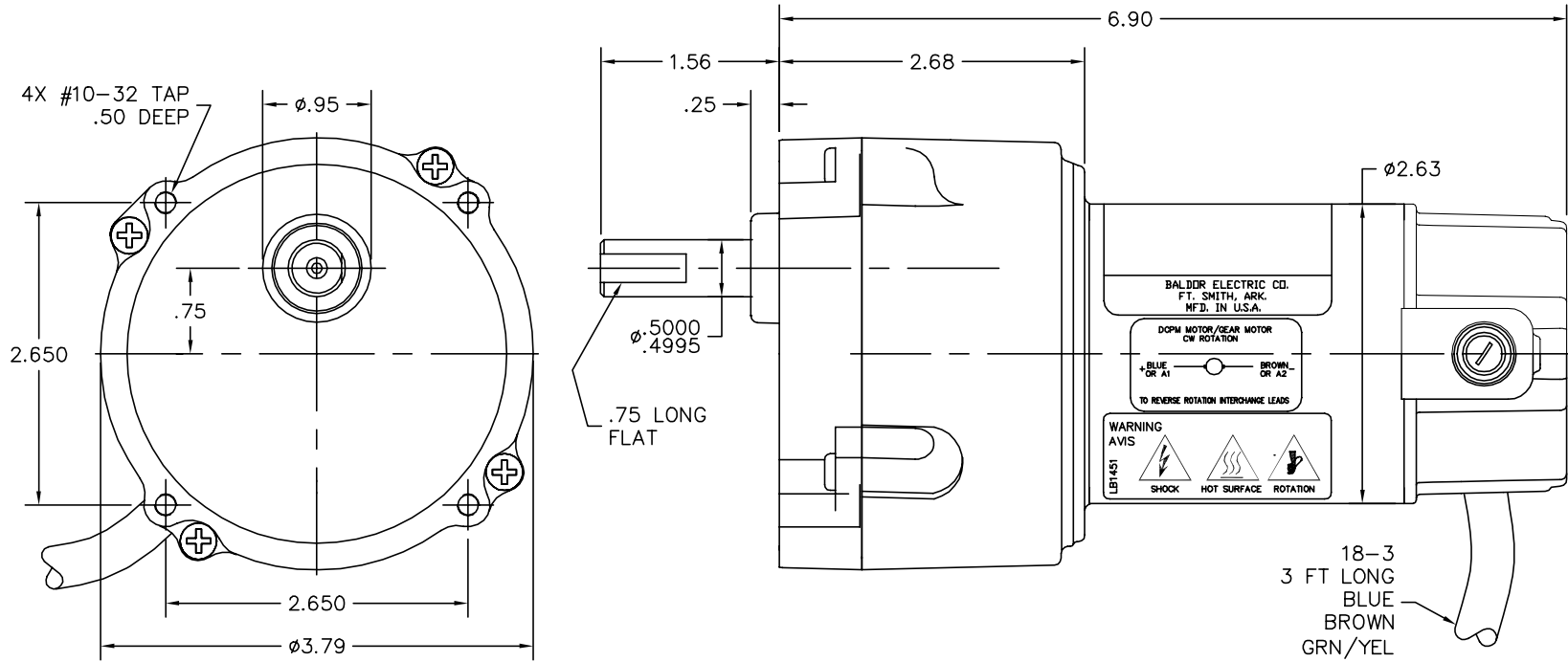
|            |              |    |  |  |          |  |       |
|------------|--------------|----|--|--|----------|--|-------|
| CAT.NO.    | GPP232110    |    |  |  |          |  |       |
| SER.NO     |              |    |  |  |          |  |       |
| SPEC.      | 23A276Z002G1 |    |  |  |          |  |       |
| FRAME      | PSSH         |    |  |  | TYPE     |  | 2314P |
| HP         | 1/21         | TE |  |  |          |  |       |
| VOLTS      | 90DC         |    |  |  |          |  |       |
| AMP        | .57          |    |  |  |          |  |       |
| F.F.       | 1.35         |    |  |  | CLASS    |  | F     |
| AMB.       | 40           |    |  |  | DUTY     |  | CONT  |
| BRUSHES    | 2/BP5060BD02 |    |  |  |          |  |       |
| R.P.M.     | 19           |    |  |  |          |  |       |
| TORQ/IN LB | 118          |    |  |  |          |  |       |
| RATIO      | 90:1         |    |  |  |          |  |       |
| APRV-CE    |              |    |  |  | APRV-CUL |  |       |

| Parts List   |  |          |
|--------------|--|----------|
| Part Number  | Description                              | Quantity |
| SA077850     | SA 23A276Z002G1                          | 1.000 EA |
| AA007577     | AA 23A276Z002G1                          | 1.000 EA |
| BP5060BD02SP | CARBON BRUSH-1/8X3/16-CARBONE # BAL-22   | 1.000 EA |
| MJ5005A02    | DYNA-WEIGHT COMPOUND BAL-1-FS,16#/KIT,   | 0.010 LB |
| HG0044A04BL  | HSG,PSSH EP STD 23 FRAME MOUNTING 4 BOR  | 1.000 EA |
| BMH1729      | WASHER,PREC 1.020"X.628"X.020"           | 1.000 EA |
| HW5002A42    | N5002-102 RET RING INTERNBEVELED F/6000  | 1.000 EA |
| HW3064E05    | 1/8 X 1/2 PIN DRIVE LOK TYPE H           | 1.000 EA |
| HW4600D28-01 | SEAL WITHOUT SPRING                      | 1.000 EA |
| MJ5082A02    | ADHESIVE,KIT PERMABOND TA04592K002L0101  | 0.002 EA |
| 23EP3108A01L | EP,23DC ODE CL 0.63 P4                   | 1.000 EA |
| HW5109A06    | WASHER, WAVE SPRING FOR 22MM BORE SMALLE | 1.000 EA |
| WD4102A01    | SR-6L-1 HEYCO STRN RELIEF OR 23MPO6L10 M | 1.000 EA |
| LD0110A29    | ASM,CABLE 40 18-3 BRN,BLU,G/Y (4) 23F    | 1.000 EA |
| 55XT0632G03  | 6-32 X 0.187 RD HD PHILLIPS, SERRATED    | 1.000 EA |
| BP4517       | BRUSH TUBE ASM                           | 2.000 EA |
| 80XN0632J03  | SCREW, 6-32 X 3/16", SHS, AS             | 2.000 EA |
| BP4515SP     | BRUSH CAP #AE-51                         | 1.000 EA |
| HA3170A09    | THRUBOLT,FLAT HD. #8-32 THDS X 4.187 LON | 1.000 EA |
| SG0047A21    | SHAFT,ASSY PSSH LONG INT1 4RED 2.0/5.0   | 1.000 EA |
| SG0047A22    | SHAFT,ASSY PSSH LONG INT2 4RED 3.0/2.0   | 1.000 EA |
| SG0047A05    | SHAFT,ASSY PSSH LONG INT3 4RED 3.0/3.0   | 1.000 EA |
| SG0047A23    | SHAFT,ASSY PSSH LONG OUTP 4RED 0.0/3.0   | 1.000 EA |
| CG0001A01BL  | HSG,PSSH CAP STD 4 BORE MACH.            | 1.000 EA |

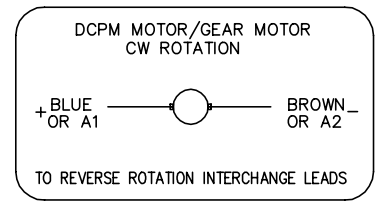
| Parts List (continued) |  |          |
|------------------------|--|----------|
| Part Number            | Description                              | Quantity |
| BH1163A02              | SCE88 INA NEEDLE ROL SM21                | 1.000 EA |
| HW4600C29              | SEAL, TCM #0507416 SCW .50X.75X.165 RB   | 1.000 EA |
| RM1020A21              | O-RING,3.240 I.D. X .052 BUNA (PGS) BGA4 | 1.000 EA |
| 15XM0832A08            | SCREW, 8-32X .500, THREAD FORMING        | 4.000 EA |
| MJ1000A81              | GREASE, SYN-TECH NS-8301-G               | 0.030 LB |
| LC0899A07              | CONNECTION LABEL, DCPM CW ROTATION CE CO | 1.000 EA |
| NP1220A08              | NP,DC STD AD NONE V GEAR MOTOR CE CUL    | 1.000 EA |
| LB1451                 | WARNING LABEL, CE WARNING SYMBOLS ONLY   | 1.000 EA |
| LB5040                 | INSTRUCTION TAG, AC & DC                 | 1.000 EA |
| CPA1000                | PACKING GROUP STD. SINGLE                | 1.000 EA |
| LB1171                 | LABEL CARTON 6X6 ON LINE BLANK ROLLS     | 1.000 EA |

| Accessories |   |            |
|-------------|---|------------|
| Part Number | Description                             | Multiplier |
| LB73        | "L" BRACKET KIT FOR PSSH GEARBOX-BLACK  | A8         |
| LB73GR      | "L" BRACKET KIT FOR PSSH GEARBOX-GRAY   | A8         |
| BC110       | FRAC DC ANALOG,115AC,50/60HZ,1.0A,1     | E9         |
| BC138       | KBWM-120 120VAC .25-HP SCR CTL, N       | E9         |
| BC140       | CS2934A,120/240VAC .5/1-HP SCR CTL,NEMA | E9         |
| BC140-FBR   | W/FOR BRAKE REV SWITCH                  | E9         |
| BR0250      | PLUG IN RESISTOR                        | E9         |

23A276Z002G1



18-3  
3 FT LONG  
BLUE  
BROWN  
GRN/YEL



CUSTOMER IS RESPONSIBLE FOR DETERMINING THAT BALDOR'S PRODUCT WILL PERFORM SUITABLY IN THE INTENDED APPLICATION.

|                       |                              |                   |
|-----------------------|------------------------------|-------------------|
| REV. DESC: ADD LB1451 |                              |                   |
| REV. LTR: F           | VERSION: 06                  | TDR: 000000717003 |
| FILE: \CKA\00022\478  | REVISED: 02:33:25 10/17/2011 |                   |
| MTL: -                | BY: CKAPRBO                  |                   |

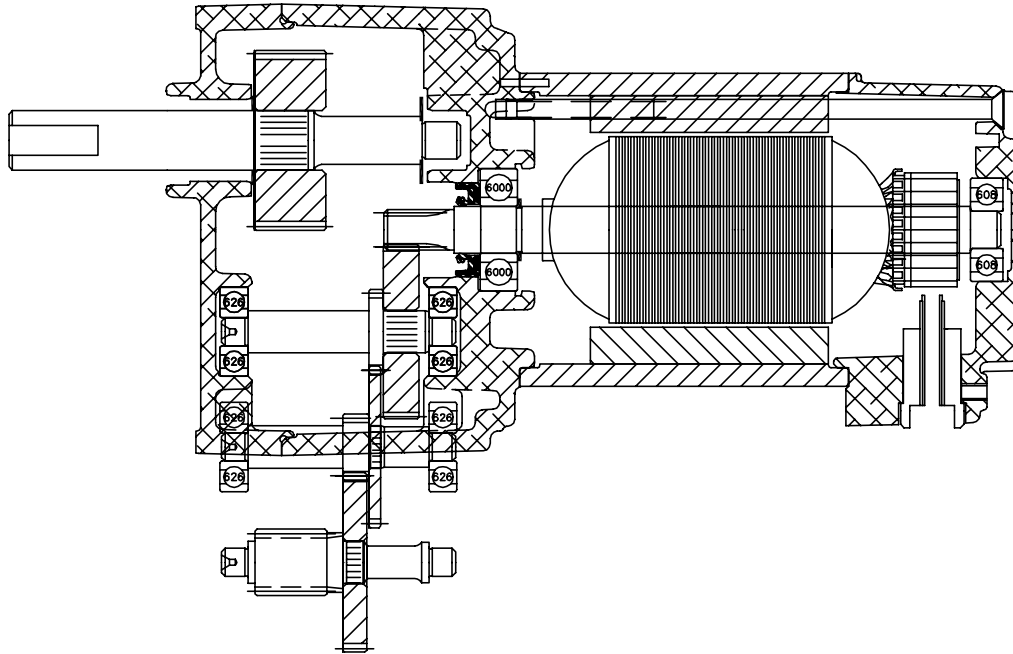
**BALDOR • DODGE • RELIANCE**

LY,23DC PSSH DOM TENV .50X1.56 EXT W/FLAT

SH 1 of 2

23A276Z002G1

23A276Z002G1



23A276Z002G1

CUSTOMER IS RESPONSIBLE FOR DETERMINING THAT BALDOR'S PRODUCT WILL PERFORM SUITABLY IN THE INTENDED APPLICATION.

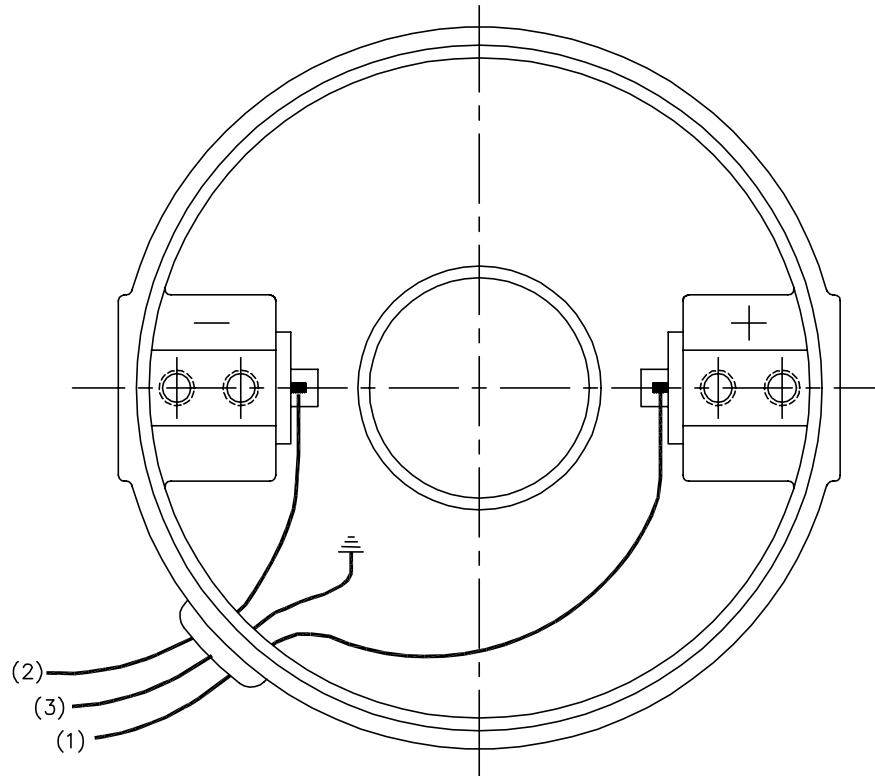
|                       |             |                             |  |
|-----------------------|-------------|-----------------------------|--|
| REV. DESC: ADD LB1451 |             | TDR: 000000717003           |  |
| REV. LTR: F           | VERSION: 06 | REVISD: 02:33:25 10/17/2011 |  |
| FILE: \CKA\00022\478  |             | BY: CKAPRBO                 |  |
| MTL: -                |             |                             |  |

**BALDOR • DODGE • RELIANCE**

LY,23DC PSSH DOM TENV .50X1.56 EXT W/FLAT

SH 2 of 2

CD1899



(1) COLOR MAY BE  
RED  
WHT  
BLU

(2) COLOR MAY BE  
BLK  
BRN

(3) COLOR WHEN REQ.  
GRN  
GRN/YEL

VIEWED FROM  
DRIVE END

|                |         |                              |             |
|----------------|---------|------------------------------|-------------|
| REV. DESC: NEW |         |                              |             |
| REV. LTR: -    | BY: PAW | REVISED: 09:06:34 09/16/2004 | TDR: 341564 |
| 668100         |         | FILE: CKA00025830            | REF: CD1899 |
|                |         | MTL: -                       |             |

**BALDOR ELECTRIC Co.**

PM,2LD,REV,TANG,CK

CD1899