

# **BALDOR**® • ***RELIANCE***

## **Product Information Packet**

# **GS1518G**

**S-918-15-G**

Copyright © All product information within this document is subject to Baldor Electric Company copyright © protection, unless otherwise noted.

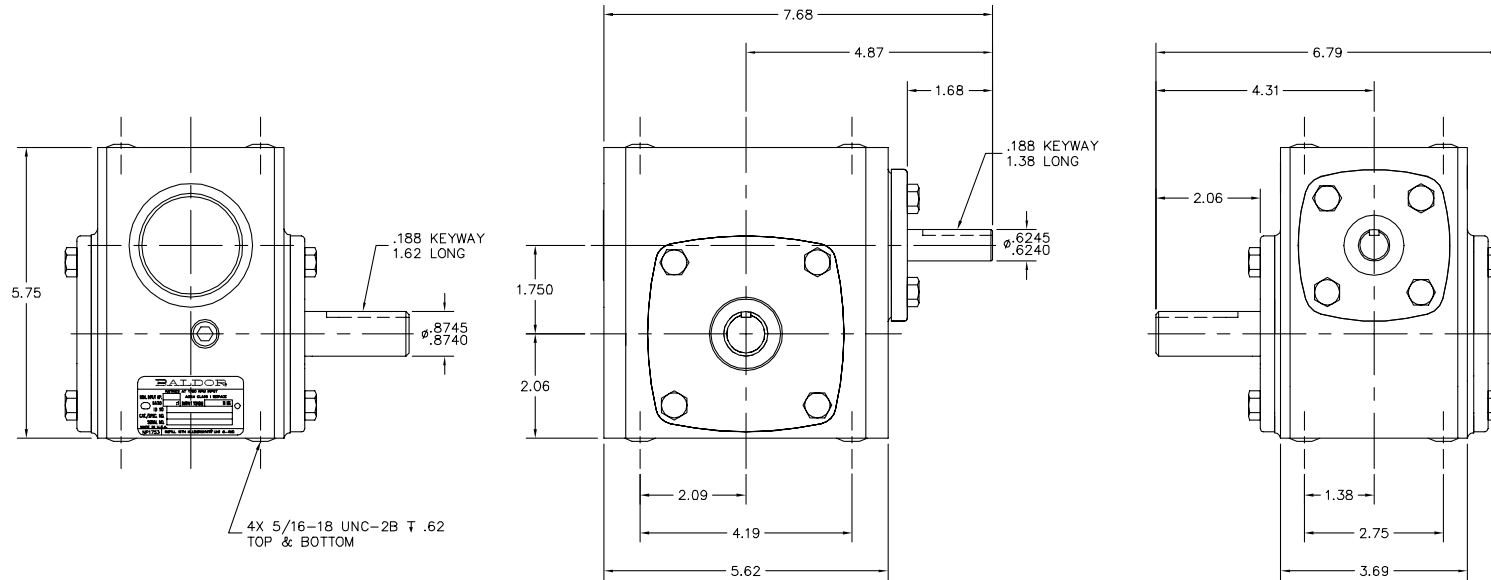
Nameplate NP1753L				
INPUT H.P.	.976			
RATIO	15	R TORQ-INLB	448	
	S-918-15-G			
CAT./SPEC	GS1518G		GR0089C004	
DATE CODE				

Parts List		
Part Number	Description	Quantity
HG0015A16	918 WMGR HSG-SYMM, SEALED	1.000 EA
133-18	1/4 NPTF-HX SOC PIPE PLG 3/4 TAPER	1.000 EA
HW5000A94	N5000-206 RETAINER RING	2.000 EA
918-615	918 EXT WORM 15:1 RATIO	1.000 EA
BG6304A01	6304 OPEN,C3,SLUSH	1.000 EA
918-11-10	I/P BRG SHIM (.010" THICK)	1.000 EA
918-11-3	I/P BRG SHIM (.003" THICK)	3.000 EA
HA3555A04	EXPANSION PLUG 2.053/2.049 X 9/32	1.000 EA
BG6304A01	6304 OPEN,C3,SLUSH	1.000 EA
HW4600D05	SEAL .625 X 1.375 X .250 SGL LIP, CR #63	1.000 EA
918-3	918 STD INPUT BRG SUPP	1.000 EA
10XN3118K14	5/16-18 X .88 HEX MACH SCREW, GRADE 5	4.000 EA
HW1001A31	LOCKWASHER 5/16, ZINC PLT.591 OD, .319 I	4.000 EA
BS0014A02	918-5 BEARING SUPPORT, OPEN-FOR SYMM HSG	1.000 EA
GS0034A01	WORMGEAR GASKET, .003 (GREEN), 3.15 ID X	1.000 EA
GS0034A02	WORMGEAR GASKET, .005 (BLUE), 3.15 ID X	2.000 EA
GS0034A03	WORMGEAR GASKET, .010 (BROWN), 3.15 ID X	2.000 EA
HW4600C86	0.875 X 1.375 X 0.250 DBLLIP	1.000 EA
10XN3118K14	5/16-18 X .88 HEX MACH SCREW, GRADE 5	4.000 EA
SG0016B09	918 GEAR SHAFT ASSY 15:1, SGL O/P, W/COM	1.000 EA
BS0046A02	918 BEARING SUPPORT MACH. CLOSED	1.000 EA
GS0034A01	WORMGEAR GASKET, .003 (GREEN), 3.15 ID X	1.000 EA
GS0034A02	WORMGEAR GASKET, .005 (BLUE), 3.15 ID X	2.000 EA
GS0034A03	WORMGEAR GASKET, .010 (BROWN), 3.15 ID X	2.000 EA

Parts List (continued)		
Part Number	Description	Quantity
10XN3118K14	5/16-18 X .88 HEX MACH SCREW, GRADE 5	4.000 EA
HA3557A01	ALLIANCE #1-5/16 MTG HOLE PLUG (YELLOW)	4.000 EA
MJ1000A90	KLUBERSYNTH UH1-6-460 WORMGEAR OIL	0.125 GA
MJ5019A01	ADHESIVE LOCTITE #680 WAS BAD4525	0.001 EA
MJ5004A35	ADHESIVE LOCTITE #243-31 50 ML	0.001 EA
MJ5001A19	LOCTITE #598 ULTRA BLACK, 50 LB PAIL, IT	0.010 LB
MG1000G28SPP	400-0096 Haps Free Met. Gray Lacq.	0.010 GA
LB5042	TOE TAG, OIL PREFILL KLUBERSYN (250/pk)	1.000 EA
LT0066A08	REDUCER INSTALL/MAINT - KLUBE 11/05	1.000 EA
NP1753L	RIVETED LASER NP, GEAR REDUCER, UH1 6-46	1.000 EA
LB1242	ADHESIVE PATCH 1.10 X 2.03 X .045 THICK	1.000 EA
35PA1000	PACKING GROUP	1.000 EA
HW2513A03	KEY .188 X 1.000 1018 STEEL	1.000 EA
HW2513A05	KEY .188 X 1.250 1018 STEEL	1.000 EA
MP1009A01	4 X 4 ZIP POLYBAG, 2 MIL	1.000 EA

<b>Accessories</b>		
<b>Part Number</b>	<b>Description</b>	<b>Multiplier</b>
B18H71	BASE-HORIZONTAL POS. A/B 918	A8
B18V81	BASE-VERTICAL LOW POS. D/F 915/918	A8
B18V91	BASE-VERTICAL HIGH POS. C/E 915/918	A8
B18J92	BASE-INPUT VERTICAL POS. X/Y 915/918	A8
FL18HK	OUTPUT FLANGE KIT, STAMP STEEL 918	A8
SFL918B5	NEMA C-FLG.KIT,COUPLING TYPE	A8
RBK18B5	RISER BLOCK KIT 56C/140TC 918	A8

GY0089A01



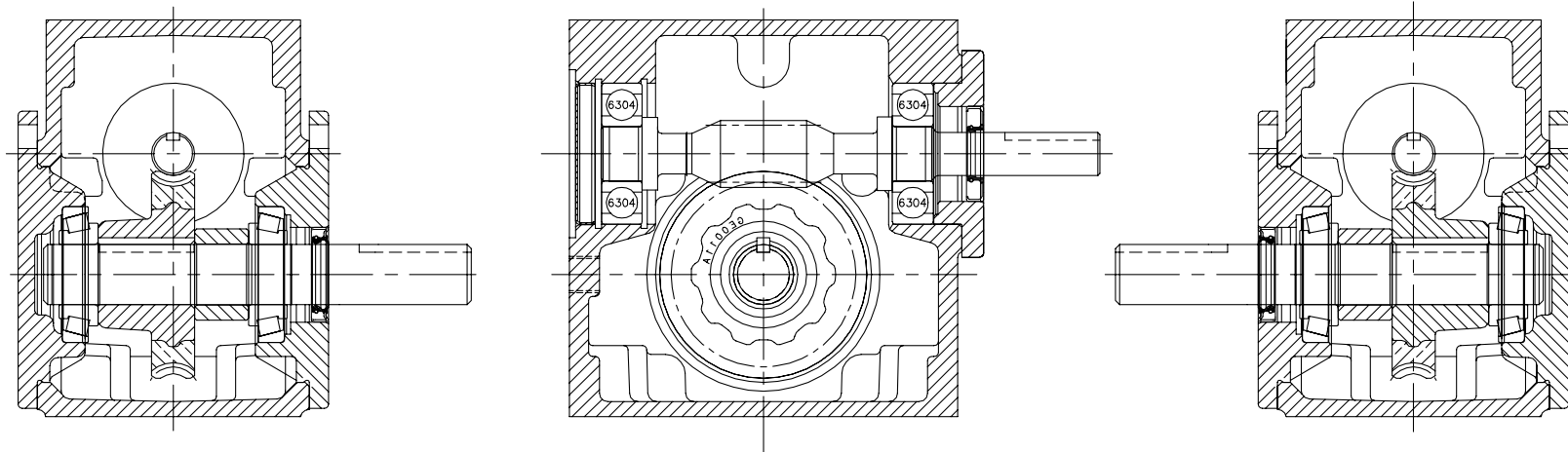
GY0089A01

REV. DESC: ADD SECTION VIEW		
REV. LTR: B	VERSION: 02	TDR: 000000435804
FILE: \CKA\00009\673	REVISED: 07:59:25 06/27/2007	BY: CKPHIWO
MTL: -		

**Baldor • Dodge • Reliance**

S-918-G STANDARD MOUNTING

GY0089A01



GY0089A01

REV. DESC: ADD SECTION VIEW		
REV. LTR: B	VERSION: 02	TDR: 000000435804
FILE: \CKA\00009\673	REVISED: 07:59:26 06/27/2007	BY: CKPHIWO
MTL: -		

**Baldor • Dodge • Reliance**

S-918-G STANDARD MOUNTING