

# **BALDOR**® • **RELIANCE**

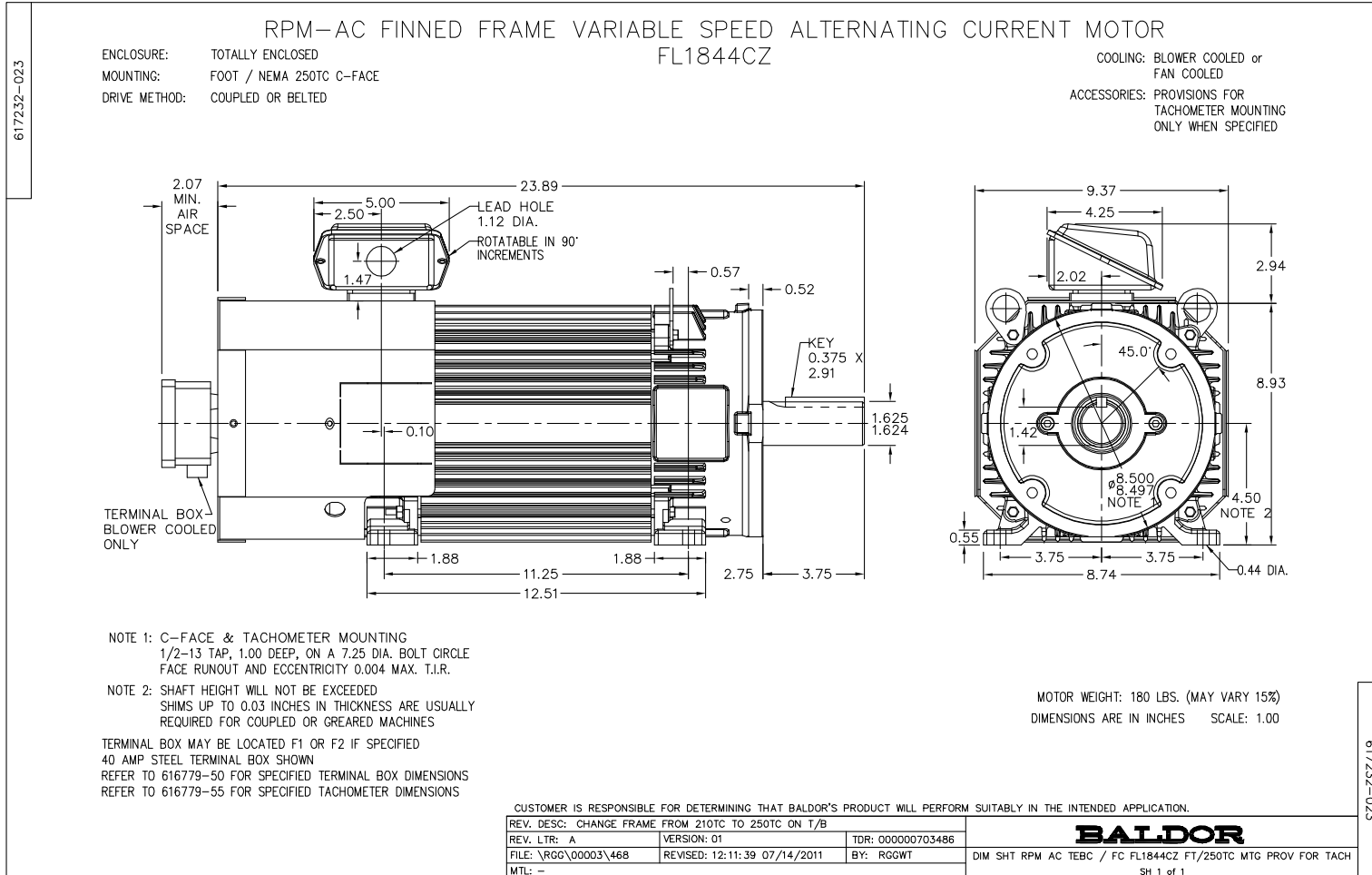
## **Product Information Packet**

# **IDBRPM18154C**

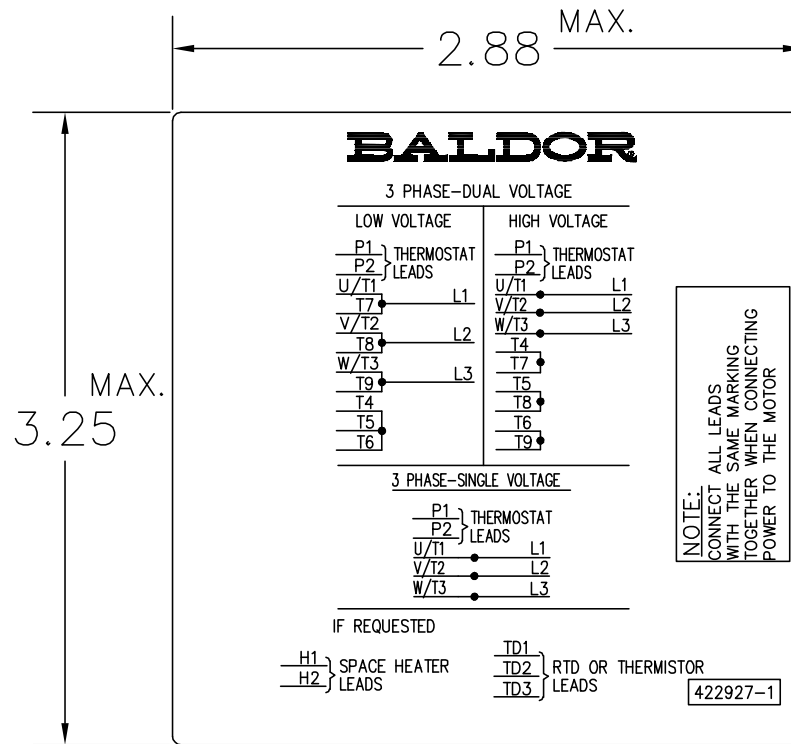
**15HP,1760RPM,3PH,60HZ,1844C,TEBC,FT/250**

Copyright © All product information within this document is subject to Baldor Electric Company copyright © protection, unless otherwise noted.

Part Detail			
Model Number:	IDBRPM18154C	Environment:	General Purpose
Voltage:	460	HP:	15
RPM:	1760/3510	Efficiency:	NA
Phase:	3	Frequency:	N/A
Inverter Duty:	Y	Enclosure:	TEBC
Frame Group:	180	Frame Size:	FL1844CZ
Features:	RPM AC	Mounting:	Foot Mounted
Service Factor:	1	Enclosure Group:	TEBC
Weight:	0	Price Symbol:	E2
Speed Range:		Insulation Class:	H
Nema Design:		Encl. Enhancement:	
Catalog Page:	B-194	Dimension Sheet:	617232-23
Connection Diagram:	422927-1	Electric Design:	L3220A
Single HP:	15	Get Notes:	RPM AC
Revision:		Instruction Manual:	
Application:	Variable Speed-V*S	Epact:	?
Scaled Drawing:		Obsolete:	N
Last Data Source:	RGG,MADD	Bearing Type:	
Electrical Type:		Mounting Pos.:	
Ambient:	40	Duty:	
Amps:		Nominal Eff.:	
Kva Code:		Power Factor:	
Poles:	00	Literature:	



422927-001



NOTE:  
DATA TO BE SIZED  
SO THAT IT FITS INTO  
MATERIAL DECAL  
DIMENSIONS. MAKE  
LETTERS & NUMBERS  
AS LARGE AS POSSIBLE.

MATERIAL: CERAMATIC DGF-P4  
PERMA GRIP ADHESIVE  
ALL LETTERS, NUMBERS  
AND LINES TO BE BLACK  
ON GOLD BACKGROUND.

422927-001

REV. DESC: CHANGE LOGO TO BALDOR		
REV. LTR: A	VERSION: 01	TDR: 000000556744
FILE: \RGG\00000\203	REVISED: 02:51:59 09/02/2010	
MTL: -	BY: RGGWT	

**BALDOR**

EXTERNAL CONNECTION LABEL  
SH 1 of 1

REL. S.O. -  
 FRAME FL1844  
 HP 15  
 BASE SPEED 1760  
 PHASE/HERTZ 3/60

VOLTS 460  
 AMPS 21  
 DUTY CONT  
 S.F. 1.0  
 AMB °C/INSUL 40/H

ENCLOSURE TEBC  
 MAX SAFE RPM 7200  
 IM (AMPS) 12  
 P.F.@NL/FL .061/.776  
 WK<sup>2</sup> (LB-FT<sup>2</sup>) .645

WYE CONN EQ CKT OHMS PER PHASE (AT BASE RATING, 25 °C)  
 R1 .348 X1 1.18  
 R2 .245 X2 1.30  
 XM 22.9

**RATED FULL LOAD DATA**

	RPM	HP	TORQUE LB-FT	FUND VOLTS	FREQ-HZ	AMPS
BASE SPEED	1758	15.0	45	460	60	21.0
MAX SPEED	3508	15.0	22	460	120	19.1
MIN SPEED	0	0	45	20.9	1.39	21.0


**LOAD PERFORMANCE AT BASE SPEED**

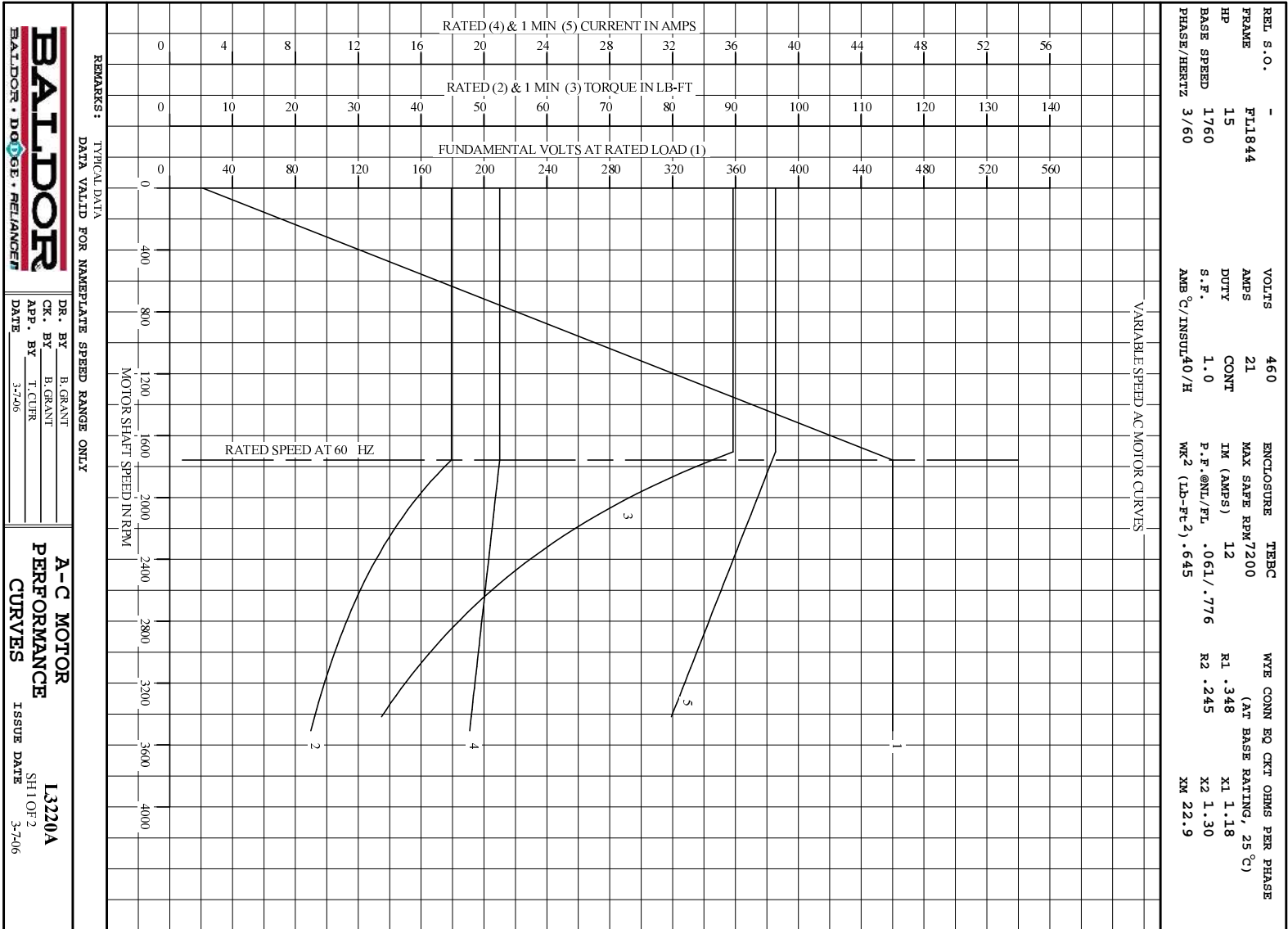
	RPM	HP	TORQUE LB-FT	FUND VOLTS	FREQ-HZ	AMPS
NO LOAD	1800	0	0	460	60	11.7
1/4	1790	3.75	11	460	60	12.8
1/2	1780	7.51	22	460	60	14.6
3/4	1769	11.2	33	460	60	17.5
FULL LOAD	1758	15.0	45	460	60	21.0
O/L	1705	29.1	90	460	60	38.5

**BLOWER DATA**

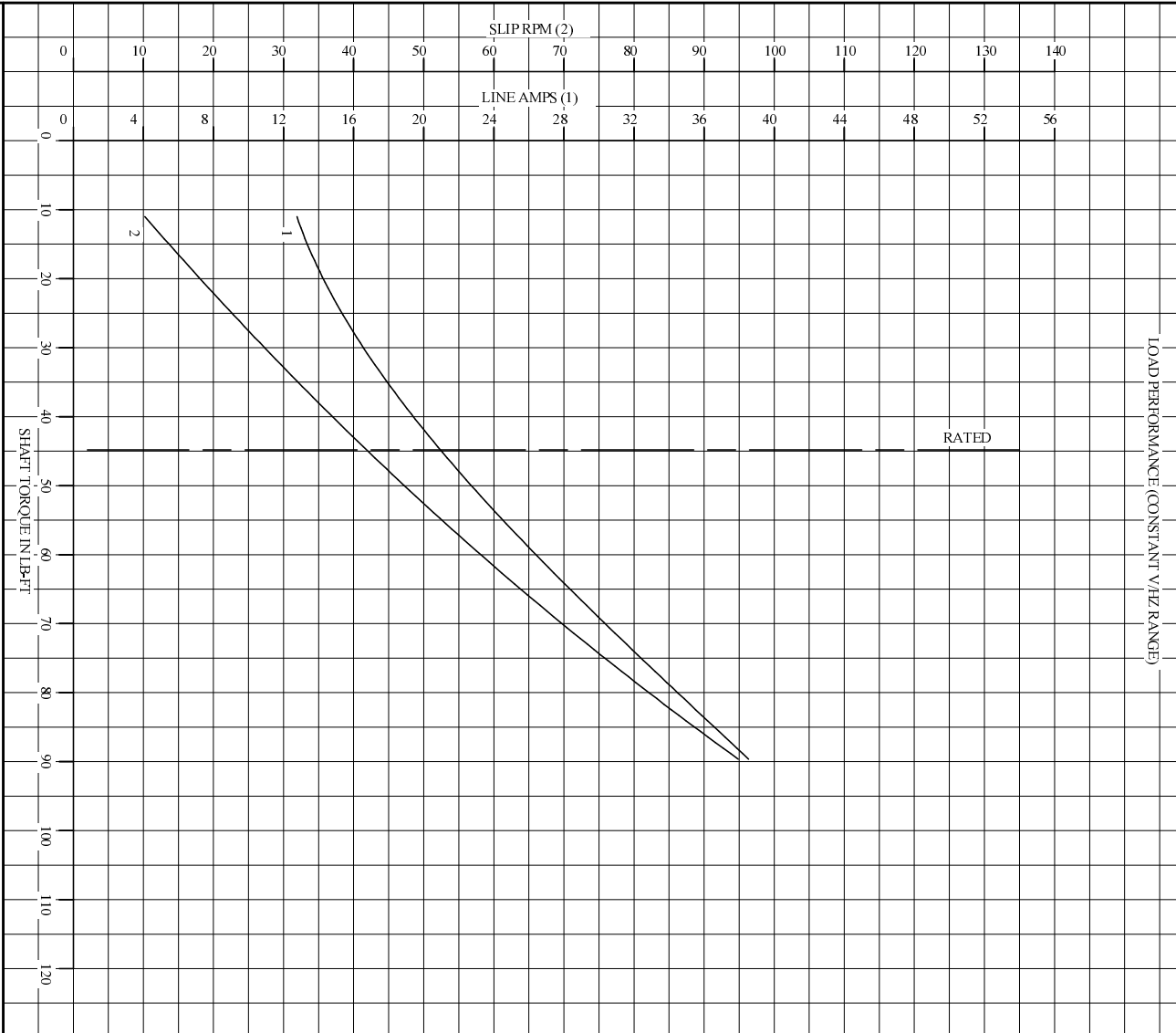
VOLTS	PH/HZ	FL AMPS	LR AMPS	FRAME	CFM

REMARKS: TYPICAL DATA

	DR. BY B. GRANT	<b>A-C MOTOR PERFORMANCE DATA</b> L3220A ISSUE DATE 3-7-06
	CK. BY T. CUER APP. BY 3-7-06	



REL. S.O.	-	VOLTS	460	ENCLOSURE	TEBC	WYE CONN	EQ	CKT OHMS	PER PHASE
FRAME	FL1844	AMPS	21	MAX SAFE RPM	7200	(AT BASE RATING, 25°C)			
HP	15	DUTY	CONT	IM (AMPS)	12	R1	.348	X1	1.18
BASE SPEED	1760	S.F.	1.0	P.F.@NL/FL	.061/.776	R2	.245	X2	1.30
PHASE/HERTZ	3/60	AMB C/INSUL	40/H	WK <sup>2</sup> (LB-FC <sup>2</sup> )	.645			XN	22.9



REMARKS: TYPICAL DATA  
DATA VALID FOR NAMEPLATE SPEED RANGE ONLY

<b>BALDOR</b> BALDOR • DOUG • RELIANCE	DR. BY	B. GRANT	<b>A-C MOTOR</b> <b>PERFORMANCE</b> <b>CURVES</b>	L3220A
	CK. BY	B. GRANT		
	APP. BY	T. CURR	SH20F2	
	DATE	3-7-06	ISSUE DATE	3-7-06