

BALDOR® • *RELIANCE*

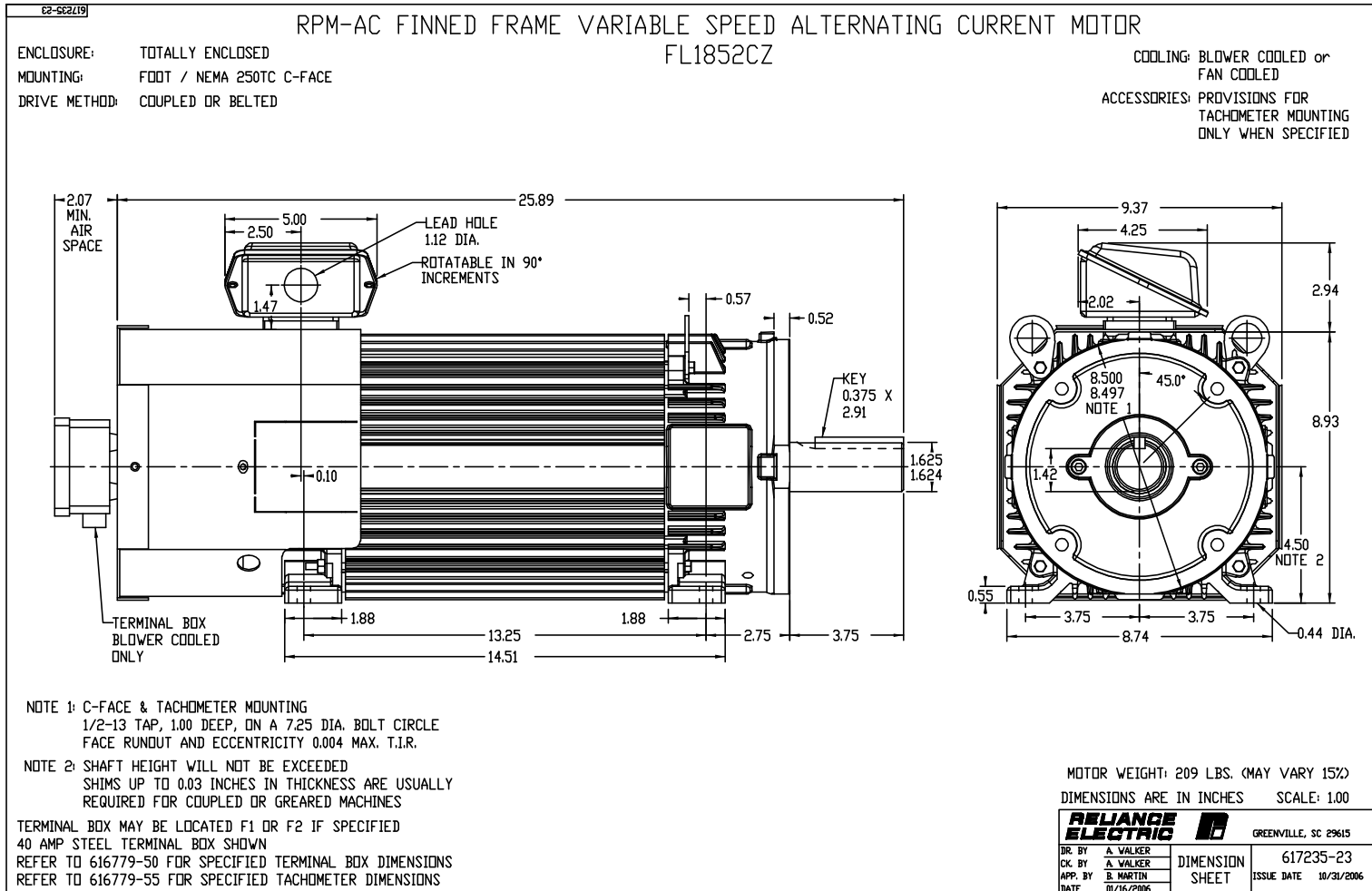
Product Information Packet

IDBRPM18204C

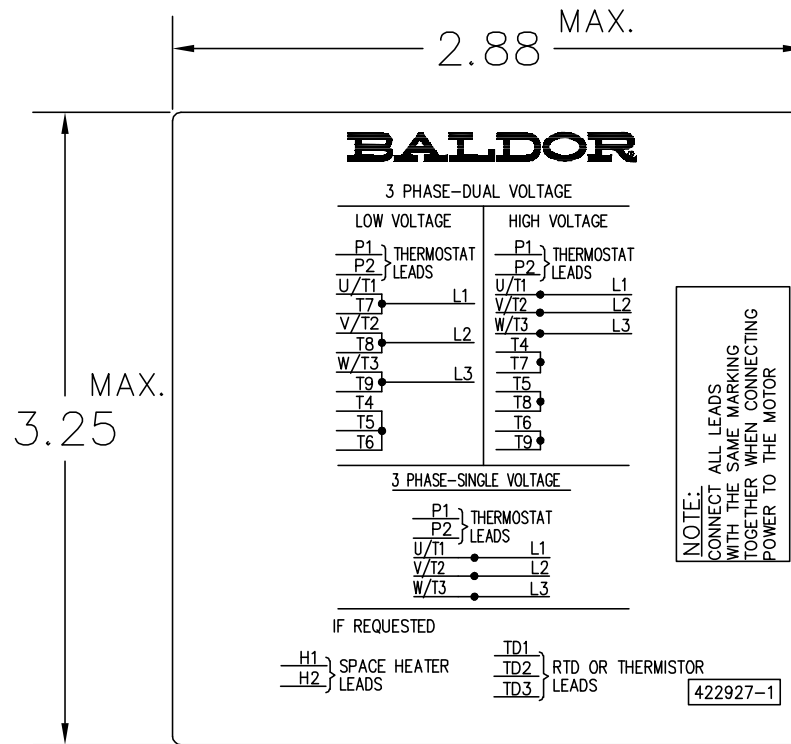
20HP,1755RPM,3PH,60HZ,1852C,TEBC,FT/250

Copyright © All product information within this document is subject to Baldor Electric Company copyright © protection, unless otherwise noted.

Part Detail			
Model Number:	IDBRPM18204C	Environment:	General Purpose
Voltage:	460	HP:	20
RPM:	1755/3505	Efficiency:	NA
Phase:	3	Frequency:	N/A
Inverter Duty:	Y	Enclosure:	TEBC
Frame Group:	180	Frame Size:	FL1852CZ
Features:	RPM AC	Mounting:	Foot Mounted
Service Factor:	1	Enclosure Group:	TEBC
Weight:	0	Price Symbol:	E2
Speed Range:		Insulation Class:	H
Nema Design:		Encl. Enhancement:	
Catalog Page:	M-211,	Dimension Sheet:	617235-23
Connection Diagram:	422927-1	Electric Design:	L3218A
Single HP:	20	Get Notes:	RPM AC
Revision:		Instruction Manual:	
Application:	Variable Speed-V*S	Epact:	
Scaled Drawing:		Obsolete:	N
Last Data Source:	RGG,MADD	Bearing Type:	
Electrical Type:		Mounting Pos.:	
Ambient:	40	Duty:	
Amps:		Nominal Eff.:	
Kva Code:		Power Factor:	
Poles:	00	Literature:	



422927-001



NOTE:
DATA TO BE SIZED SO THAT IT FITS INTO MATERIAL DECAL DIMENSIONS. MAKE LETTERS & NUMBERS AS LARGE AS POSSIBLE.

MATERIAL: CERAMATIC DGF-P4
PERMA GRIP ADHESIVE
ALL LETTERS, NUMBERS AND LINES TO BE BLACK ON GOLD BACKGROUND.

422927-1

422927-001

REV. DESC: CHANGE LOGO TO BALDOR		
REV. LTR: A	VERSION: 01	TDR: 000000556744
FILE: \RGG\00000\203	REVISED: 02:51:59 09/02/2010	
MTL: -	BY: RGGWT	

BALDOR

EXTERNAL CONNECTION LABEL
SH 1 of 1

REL. S.O.	-	VOLTS	460	ENCLOSURE	TEBC	WYE CONN EQ CKT OHMS PER PHASE
FRAME	Fl1852	AMPS	27	MAX SAFE RPM	7200	(AT BASE RATING, 25 °C)
HP	20	DUTY	CONT	IM (AMPS)	14.6	R1 .258 X1 .906
BASE SPEED	1755	S.F.	1.0	P.F.@NL/FL	.060/.796	R2 .191 X2 1.03
PHASE/HERTZ	3/60	AMB °C/INSUL	40/H	WK ² (LB-FT ²)	.8	XM 18.9

RATED FULL LOAD DATA

	RPM	HP	TORQUE LB-FT	FUND VOLTS	FREQ-HZ	AMPS
BASE SPEED	1757	20.0	60	460	60	27.1
MAX SPEED	3504	20.0	30	460	120	25.2
MIN SPEED	0	0	60	20.2	1.44	27.1


LOAD PERFORMANCE AT BASE SPEED

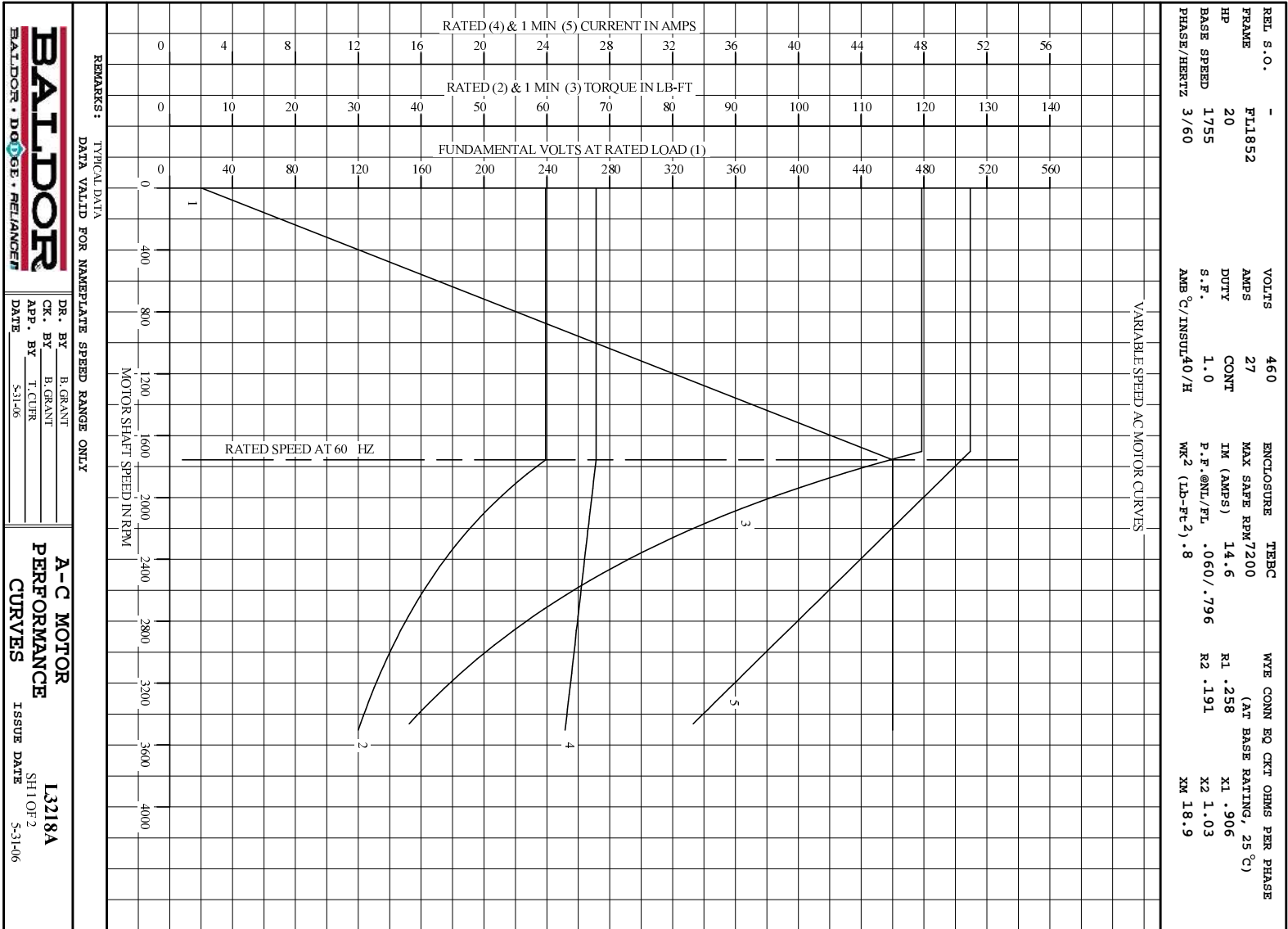
	RPM	HP	TORQUE LB-FT	FUND VOLTS	FREQ-HZ	AMPS
NO LOAD	1800	0	0	460	60	14.3
1/4	1790	5.01	15	460	60	15.5
1/2	1779	10.0	30	460	60	18.5
3/4	1769	15.0	45	460	60	22.3
FULL LOAD	1757	20.0	60	460	60	27.1
O/L	1701	38.8	120	460	60	50.9

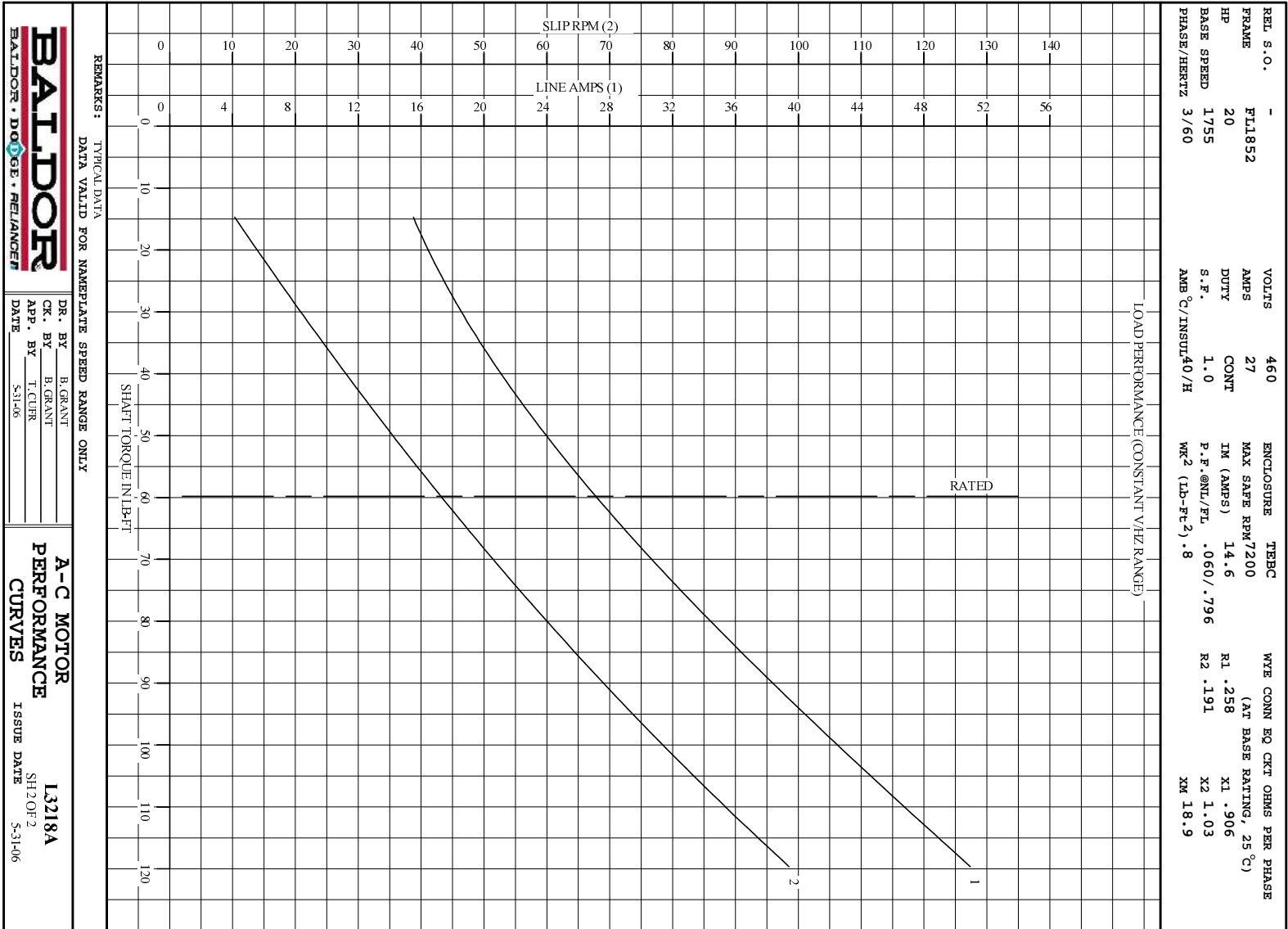
BLOWER DATA

VOLTS	PH/HZ	FL AMPS	LR AMPS	FRAME	CFM

REMARKS: TYPICAL DATA

	DR. BY	B. GRANT	A-C MOTOR PERFORMANCE DATA L3218A ISSUE DATE 5-31-06
	CK. BY	T. CUER	
	APP. BY	5-31-06	





BALDOR
BALDOR • DOUGLASS • RELIANCE

DR. BY B. GRANT
CK. BY B. GRANT
APP. BY T. CURR
DATE 5-31-06

A-C MOTOR
PERFORMANCE
CURVES
ISSUE DATE 5-31-06
L3218A
SH20F2