

# **BALDOR**® • **RELIANCE**

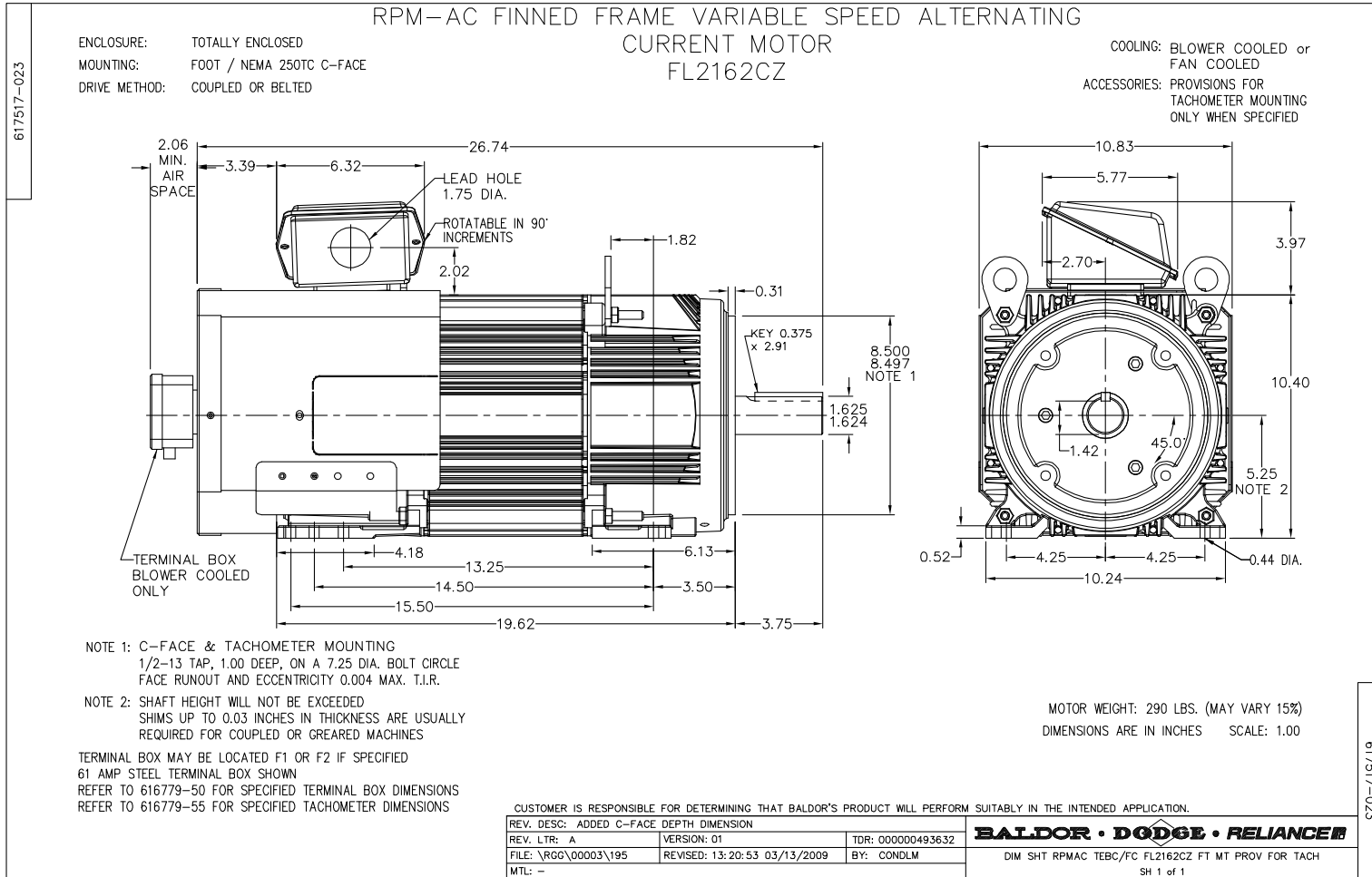
## **Product Information Packet**

# **IDBRPM21254C**

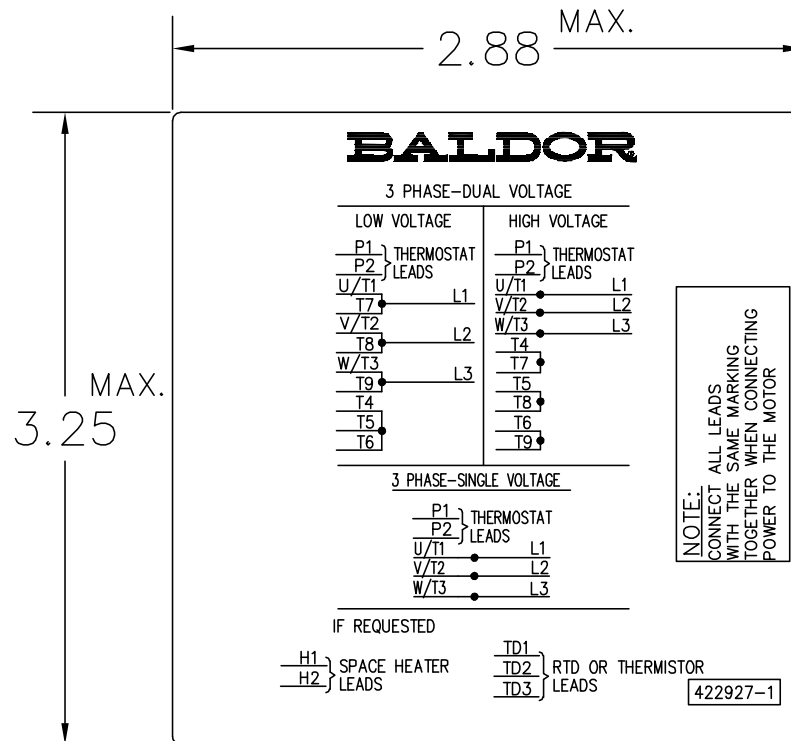
**25 HP 1750 TEBC FL2162C (250TC)**

Copyright © All product information within this document is subject to Baldor Electric Company copyright © protection, unless otherwise noted.

Part Detail			
Model Number:	IDBRPM21254C	Environment:	General Purpose
Voltage:	460	HP:	25
RPM:	1770/3535	Efficiency:	NA
Phase:	3	Frequency:	N/A
Inverter Duty:	Y	Enclosure:	TEBC
Frame Group:	210	Frame Size:	FL2162CZ
Features:	RPM AC	Mounting:	Foot Mounted
Service Factor:	1	Enclosure Group:	TEBC
Weight:	0	Price Symbol:	E2
Speed Range:		Insulation Class:	H
Nema Design:		Encl. Enhancement:	
Catalog Page:	B-194	Dimension Sheet:	617517-23
Connection Diagram:	422927-1	Electric Design:	L3306A
Single HP:	25	Get Notes:	RPM AC
Revision:		Instruction Manual:	
Application:	Variable Speed-V*S	Epact:	
Scaled Drawing:		Obsolete:	N
Last Data Source:	RGG,MADD	Bearing Type:	
Electrical Type:		Mounting Pos.:	
Ambient:	40	Duty:	
Amps:		Nominal Eff.:	
Kva Code:		Power Factor:	
Poles:	00	Literature:	



422927-001



NOTE:  
DATA TO BE SIZED  
SO THAT IT FITS INTO  
MATERIAL DECAL  
DIMENSIONS. MAKE  
LETTERS & NUMBERS  
AS LARGE AS POSSIBLE.

MATERIAL: CERAMATIC DGF-P4  
PERMA GRIP ADHESIVE  
ALL LETTERS, NUMBERS  
AND LINES TO BE BLACK  
ON GOLD BACKGROUND.

422927-001

REV. DESC: CHANGE LOGO TO BALDOR		
REV. LTR: A	VERSION: 01	TDR: 000000556744
FILE: \RGG\00000\203	REVISED: 02:51:59 09/02/2010	
MTL: -	BY: RGGWT	

**BALDOR**

EXTERNAL CONNECTION LABEL

SH 1 of 1

REL. S.O.	-	VOLTS	460	ENCLOSURE	TEBC	WYE CONN EQ CKT OHMS PER PHASE (AT BASE RATING, 25 °C)
FRAME	FL2162	AMPS	40	MAX SAFE RPM	5000	
HP	25	DUTY	CONT	IM (AMPS)	19	R1 .177 X1 .736
BASE SPEED	1770	S.F.	1.0	P.F.@NL/FL	.066/.779	R2 .107 X2 .887
PHASE/HERTZ	3/60	AMB °C/INSUL	40/H	WK <sup>2</sup> (LB-FT <sup>2</sup> )	1.92	XM 14.6

**RATED FULL LOAD DATA**


	RPM	HP	TORQUE LB-FT	FUND VOLTS	FREQ-HZ	AMPS
BASE SPEED	1771	25.0	74	460	60	33.8
MAX SPEED	3536	25.0	37	460	120	30.5
MIN SPEED	0	0	74	17.1	.976	33.8

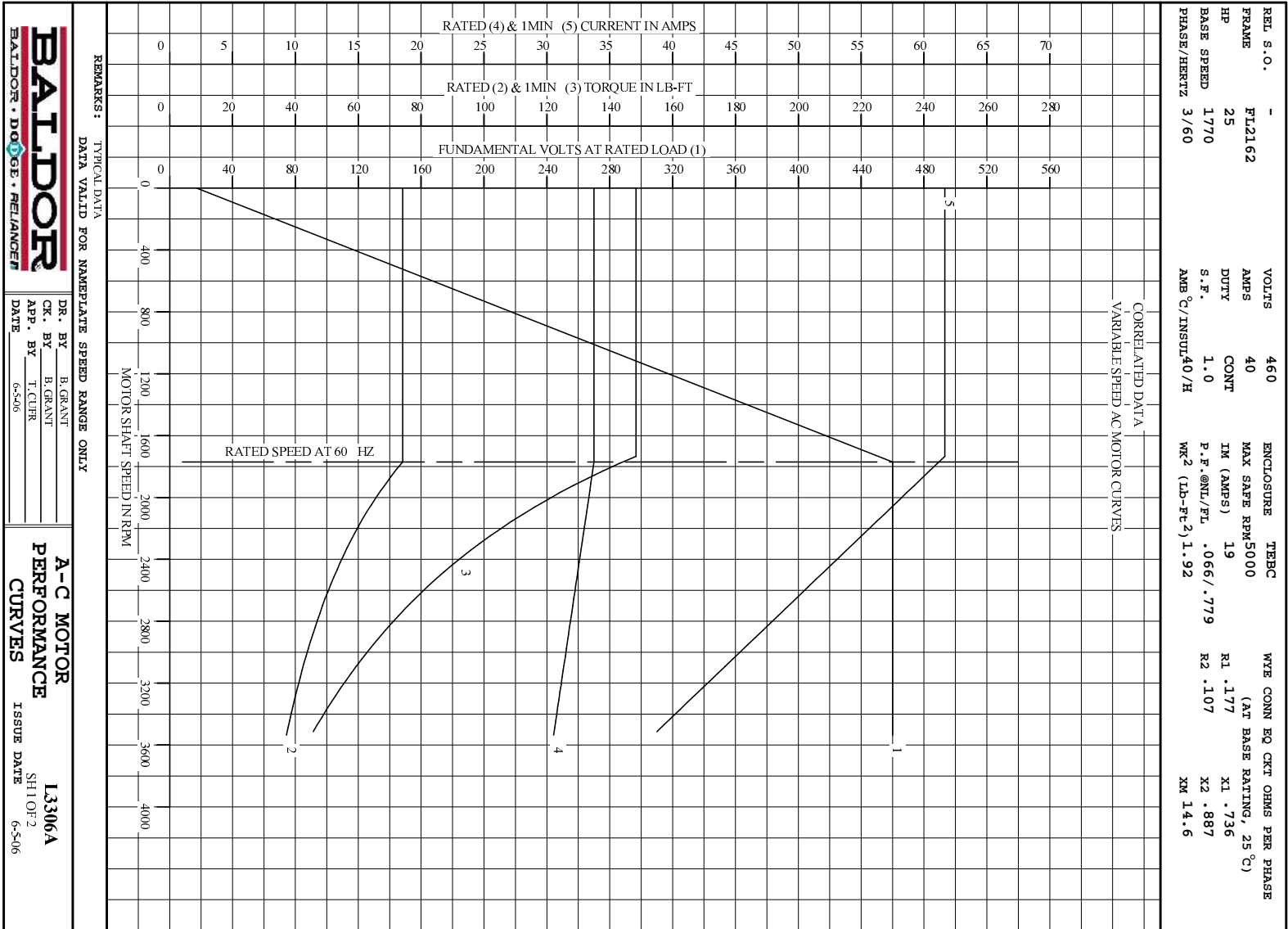
**LOAD PERFORMANCE AT BASE SPEED**

	RPM	HP	TORQUE LB-FT	FUND VOLTS	FREQ-HZ	AMPS
NO LOAD	1800	0	0	460	60	18.1
1/4	1793	6.26	18	460	60	19.9
1/2	1786	12.5	37	460	60	23.2
3/4	1779	18.8	55	460	60	28.0
FULL LOAD	1771	25.0	74	460	60	33.8
O/L	1734	49.0	148	460	60	61.6

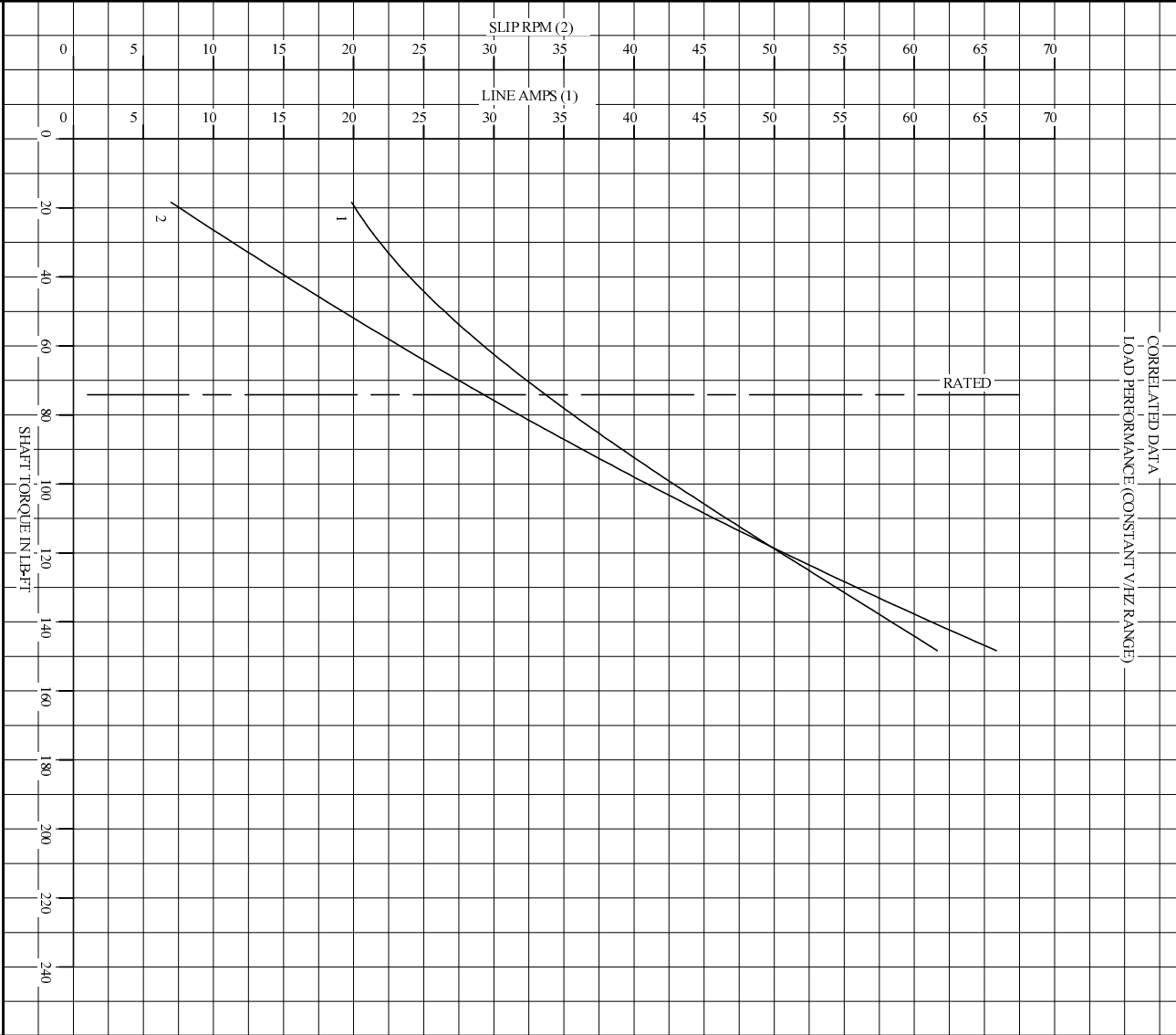
BLOWER DATA	VOLTS	PH/HZ	FL AMPS	LR AMPS	FRAME	CFM

REMARKS: TYPICAL DATA  
CORRELATED DATA

	DR. BY	B. GRANT	<b>A-C MOTOR PERFORMANCE DATA</b>
	CK. BY	T. CUER	
	APP. BY	6-5-06	ISSUE DATE
	DATE	6-5-06	6-5-06



REL S.O.	-	VOLTS	460	ENCLOSURE	TEBC	WYE CONN EQ CKT OHMS PER PHASE
FRAME	FL2162	AMPS	40	MAX SAFE RPM	5000	(AT BASE RATING, 25°C)
HP	25	DUTY	CONT	IM (AMPS)	19	R1 .177
BASE SPEED	1770	S.F.	1.0	P.F.@NL/FL	.066/.779	R2 .107
PHASE/HERTZ	3/60	AMB C/INSUL	40/H	WK <sup>2</sup> (LB-FC <sup>2</sup> )	1.92	X1 .736
						R2 .887
						XN 14.6



REMARKS: TYPICAL DATA  
DATA VALID FOR NAMEPLATE SPEED RANGE ONLY

<b>BALDOR</b> BALDOR • DOUGLASS • RELIANCE	DR. BY	B. GRANT	<b>A-C MOTOR</b> <b>PERFORMANCE</b> <b>CURVES</b>	L3306A SH20F2 ISSUE DATE 6-5-06
	CK. BY	B. GRANT		
	APP. BY	T. CURR		
	DATE	6-5-06		