

# **BALDOR**® • *RELIANCE*

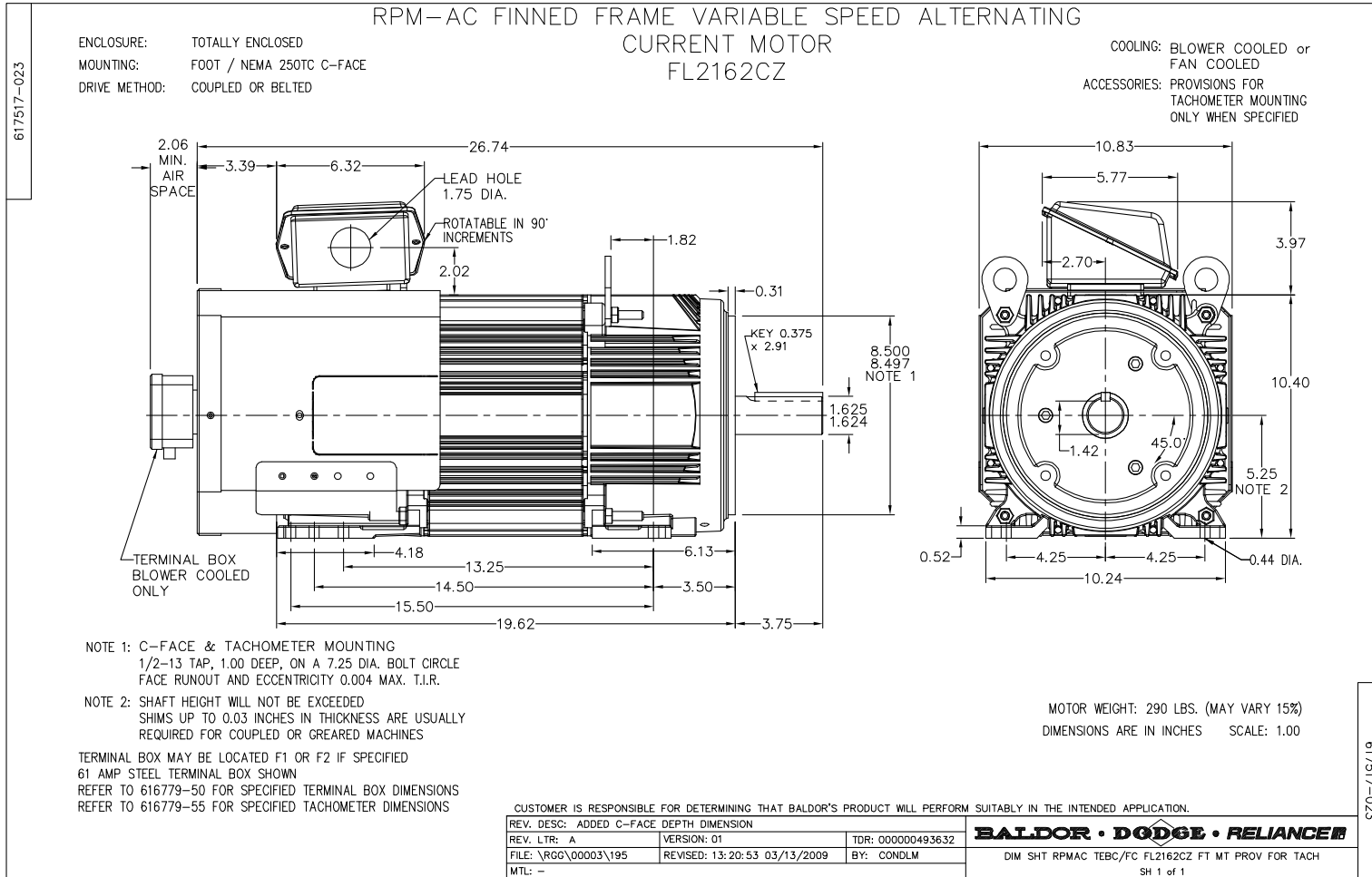
## **Product Information Packet**

# **IDBRPM21304C**

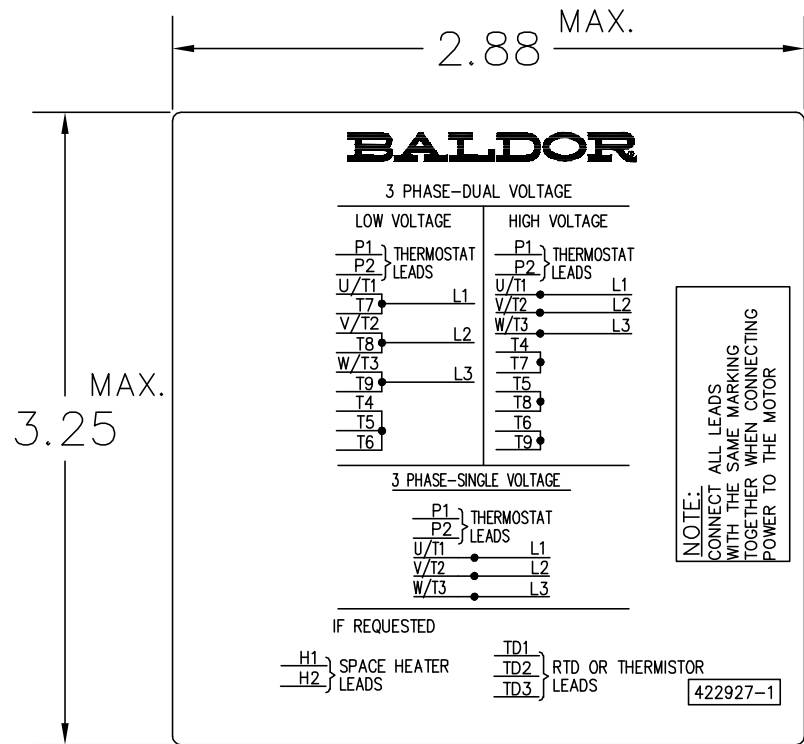
**30 HP 1750 TEBC FL2162C (250TC)**

Copyright © All product information within this document is subject to Baldor Electric Company copyright © protection, unless otherwise noted.

Part Detail			
Model Number:	IDBRPM21304C	Environment:	General Purpose
Voltage:	460	HP:	30
RPM:	1765/3525	Efficiency:	NA
Phase:	3	Frequency:	N/A
Inverter Duty:	Y	Enclosure:	TEBC
Frame Group:	210	Frame Size:	FL2162CZ
Features:	RPM AC	Mounting:	Foot Mounted
Service Factor:	1	Enclosure Group:	TEBC
Weight:	0	Price Symbol:	E2
Speed Range:		Insulation Class:	H
Nema Design:		Encl. Enhancement:	
Catalog Page:	B-194	Dimension Sheet:	617517-23
Connection Diagram:	422927-1	Electric Design:	L3310A
Single HP:	30	Get Notes:	RPM AC
Revision:		Instruction Manual:	
Application:	Variable Speed-V*S	Epact:	
Scaled Drawing:		Obsolete:	N
Last Data Source:	RGG,MADD	Bearing Type:	
Electrical Type:		Mounting Pos.:	
Ambient:	40	Duty:	
Amps:		Nominal Eff.:	
Kva Code:		Power Factor:	
Poles:	00	Literature:	



422927-001



NOTE:  
DATA TO BE SIZED SO THAT IT FITS INTO MATERIAL DECAL DIMENSIONS. MAKE LETTERS & NUMBERS AS LARGE AS POSSIBLE.

MATERIAL: CERAMATIC DGF-P4  
PERMA GRIP ADHESIVE  
ALL LETTERS, NUMBERS AND LINES TO BE BLACK ON GOLD BACKGROUND.

NOTE:  
CONNECT ALL LEADS WITH THE SAME MARKING TOGETHER WHEN CONNECTING POWER TO THE MOTOR

422927-1

422927-001

REV. DESC: CHANGE LOGO TO BALDOR		
REV. LTR: A	VERSION: 01	TDR: 000000556744
FILE: \RGG\00000\203	REVISED: 02:51:59 09/02/2010	
MTL: -	BY: RGGWT	

**BALDOR**

EXTERNAL CONNECTION LABEL  
SH 1 of 1

REL. S.O.	-	VOLTS	460	ENCLOSURE	TEBC	WYE CONN EQ CKT OHMS PER PHASE (AT BASE RATING, 25 °C)
FRAME	FL2162	AMPS	40	MAX SAFE RPM	5000	
HP	30	DUTY	CONT	IM (AMPS)	20	R1 .157 X1 .701
BASE SPEED	1765	S.F.	1.0	P.F.@NL/FL	.064/.797	R2 .102 X2 .791
PHASE/HERTZ	3/60	AMB °C/INSUL	40/H	WK <sup>2</sup> (LB-FT <sup>2</sup> )	1.92	XM 13.4

**RATED FULL LOAD DATA**


	RPM	HP	TORQUE LB-FT	FUND VOLTS	FREQ-HZ	AMPS
BASE SPEED	1766	30.0	89	460	60	39.6
MAX SPEED	3523	30.0	45	460	120	37.1
MIN SPEED	0	0	89	18.1	1.14	39.6

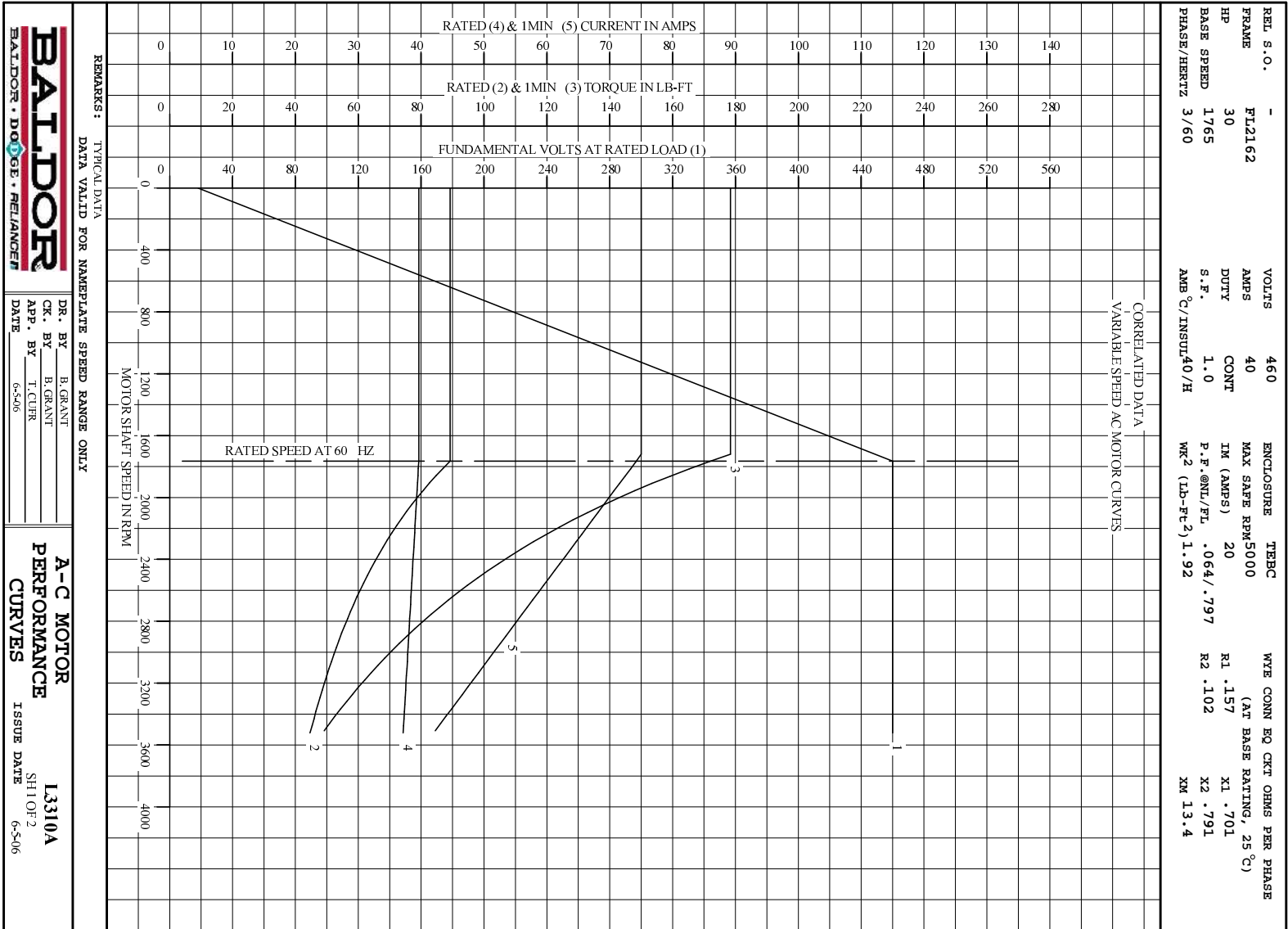
**LOAD PERFORMANCE AT BASE SPEED**

	RPM	HP	TORQUE LB-FT	FUND VOLTS	FREQ-HZ	AMPS
NO LOAD	1800	0	0	460	60	19.8
1/4	1792	7.52	22	460	60	22.1
1/2	1784	15.0	44	460	60	26.3
3/4	1775	22.5	67	460	60	32.3
FULL LOAD	1766	30.0	89	460	60	39.6
O/L	1721	58.5	178	460	60	75.0

BLOWER DATA	VOLTS	PH/HZ	FL AMPS	LR AMPS	FRAME	CFM

REMARKS: TYPICAL DATA  
CORRELATED DATA

	DR. BY	B. GRANT	<b>A-C MOTOR PERFORMANCE DATA</b>
	CK. BY	T. CUER	
	APP. BY	6-5-06	
	DATE	6-5-06	

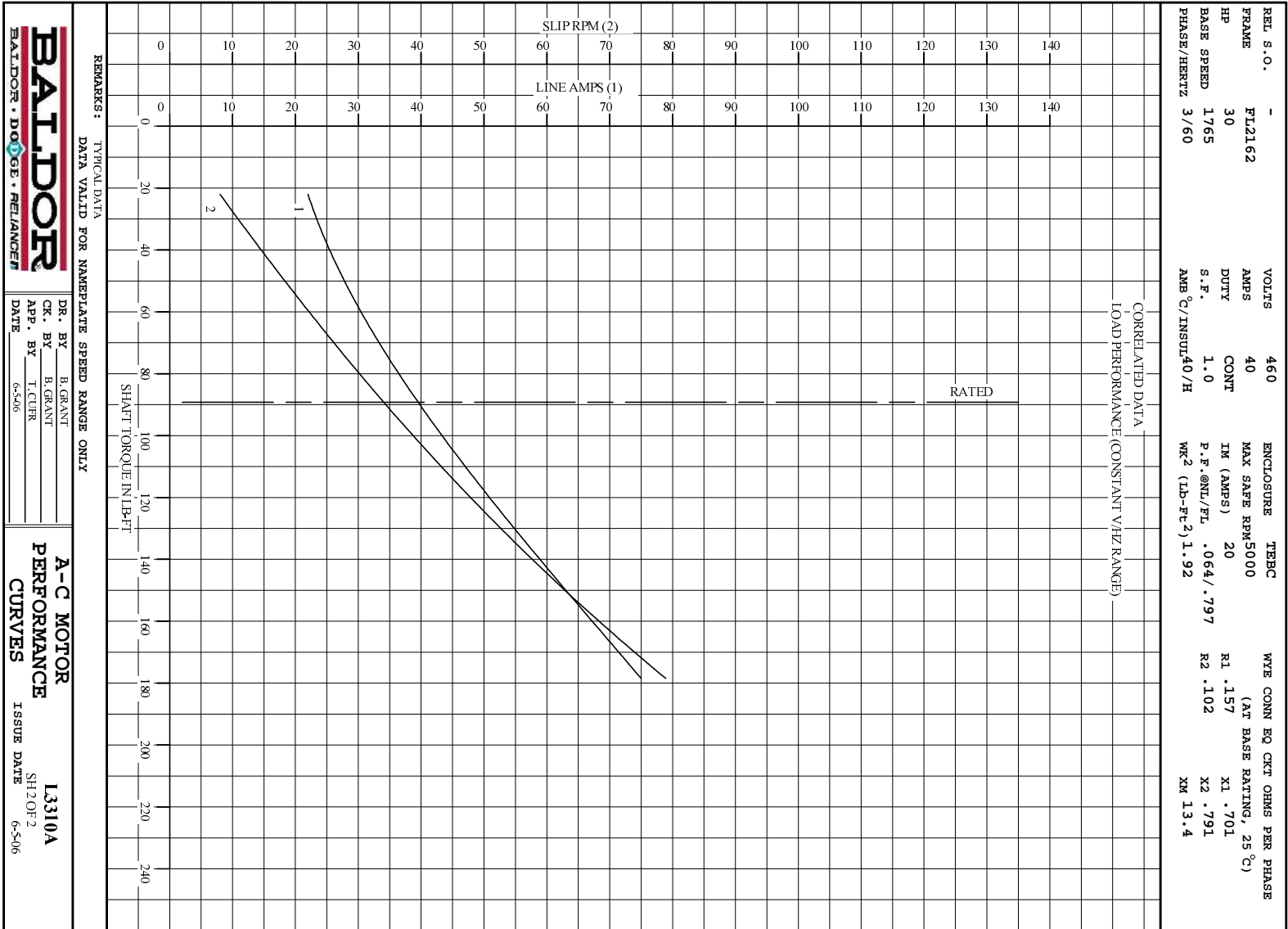


**BALDOR**  
 BALDOR • DOUGLASS • RELIANCE

DR. BY B. GRANT  
 CK. BY B. GRANT  
 APP. BY T. CURR  
 DATE 6-5-06

**A-C MOTOR**  
**PERFORMANCE**  
**CURVES**

L3310A  
 SH 1 OF 2  
 ISSUE DATE 6-5-06



**BALDOR**  
BALDOR • DOUG • RELIANCE

DR. BY B. GRANT  
CK. BY B. GRANT  
APP. BY T. CURR  
DATE 6-5-06

**A-C MOTOR PERFORMANCE CURVES**  
L3310A  
SH20F2  
ISSUE DATE 6-5-06