

BALDOR® • *RELIANCE*

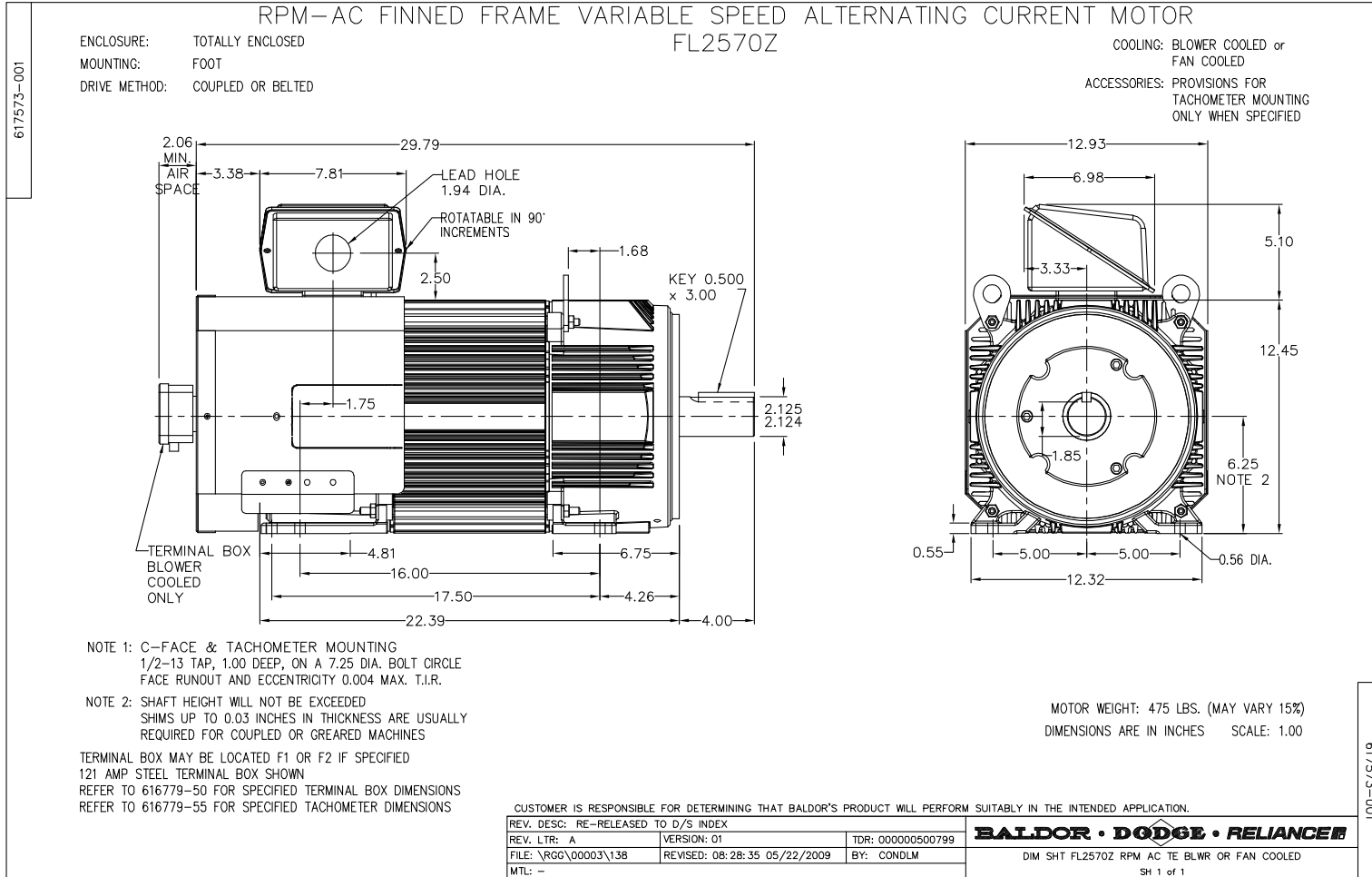
Product Information Packet

IDBRPM25504

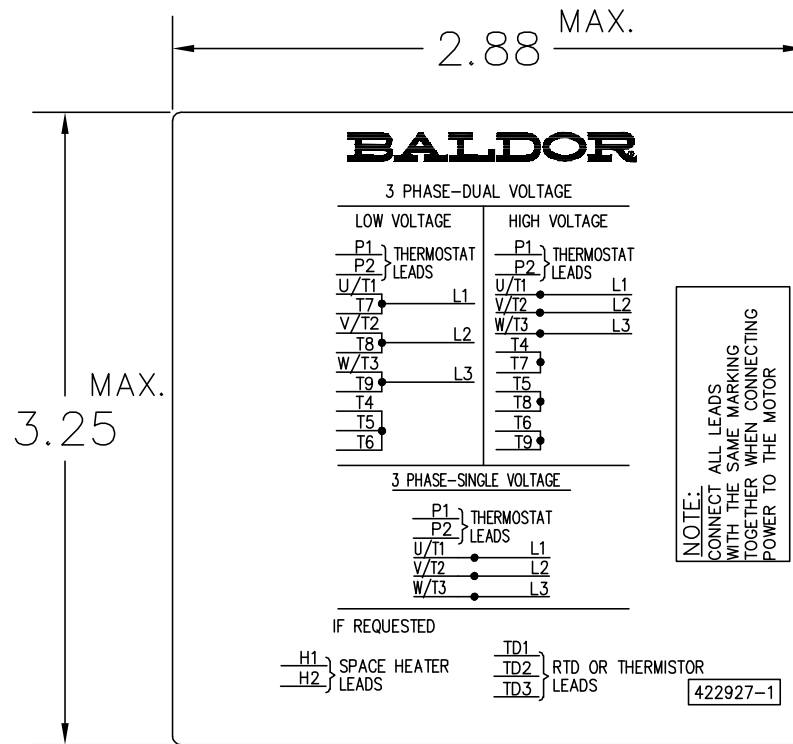
50 HP 1750 TEBC FL2570 460V

Copyright © All product information within this document is subject to Baldor Electric Company copyright © protection, unless otherwise noted.

Part Detail			
Model Number:	IDBRPM25504	Environment:	General Purpose
Voltage:	460	HP:	50
RPM:	1775/3545	Efficiency:	NA
Phase:	3	Frequency:	N/A
Inverter Duty:	Y	Enclosure:	TEBC
Frame Group:	250	Frame Size:	FL2570Z
Features:	RPM AC	Mounting:	Foot Mounted
Service Factor:	1	Enclosure Group:	TEBC
Weight:	0	Price Symbol:	E2
Speed Range:		Insulation Class:	H
Nema Design:		Encl. Enhancement:	
Catalog Page:	B-194	Dimension Sheet:	617573-1
Connection Diagram:	422927-1	Electric Design:	L3380A
Single HP:	50	Get Notes:	RPM AC
Revision:		Instruction Manual:	
Application:	Variable Speed-V*S	Epact:	
Scaled Drawing:		Obsolete:	N
Last Data Source:	RGG,MADD	Bearing Type:	
Electrical Type:		Mounting Pos.:	
Ambient:	40	Duty:	
Amps:		Nominal Eff.:	
Kva Code:		Power Factor:	
Poles:	00	Literature:	



422927-001



NOTE:
DATA TO BE SIZED
SO THAT IT FITS INTO
MATERIAL DECAL
DIMENSIONS. MAKE
LETTERS & NUMBERS
AS LARGE AS POSSIBLE.

MATERIAL: CERAMATIC DGF-P4
PERMA GRIP ADHESIVE
ALL LETTERS, NUMBERS
AND LINES TO BE BLACK
ON GOLD BACKGROUND.

NOTE:
CONNECT ALL LEADS
WITH THE SAME MARKING
TOGETHER WHEN CONNECTING
POWER TO THE MOTOR

422927-1

422927-001

REV. DESC: CHANGE LOGO TO BALDOR		
REV. LTR: A	VERSION: 01	TDR: 000000556744
FILE: \RGG\00000\203	REVISED: 02:51:59 09/02/2010	
MTL: -	BY: RGGWT	

BALDOR

EXTERNAL CONNECTION LABEL

SH 1 of 1

REL. S.O.	-	VOLTS	460	ENCLOSURE	TEBC	WYE CONN EQ CKT OHMS PER PHASE
FRAME	FL2570	AMPS	65	MAX SAFE RPM	5000	(AT BASE RATING, 25 °C)
HP	50	DUTY	CONT	IM (AMPS)	34	R1 .0778 X1 .380
BASE SPEED	1775	S.F.	1.0	P.F.@NL/FL	.049/.795	R2 .0486 X2 .480
PHASE/HERTZ	3/60	AMB °C/INSUL	40/H	WK ² (LB-FT ²)	3.84	XM 8.13

RATED FULL LOAD DATA


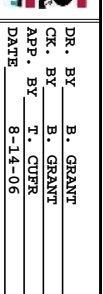
	RPM	HP	TORQUE LB-FT	FUND VOLTS	FREQ-HZ	AMPS
BASE SPEED	1774	50.0	148	460	60	65.1
MAX SPEED	3542	50.0	74	460	120	59.8
MIN SPEED	0	0	148	14.6	.875	65.1

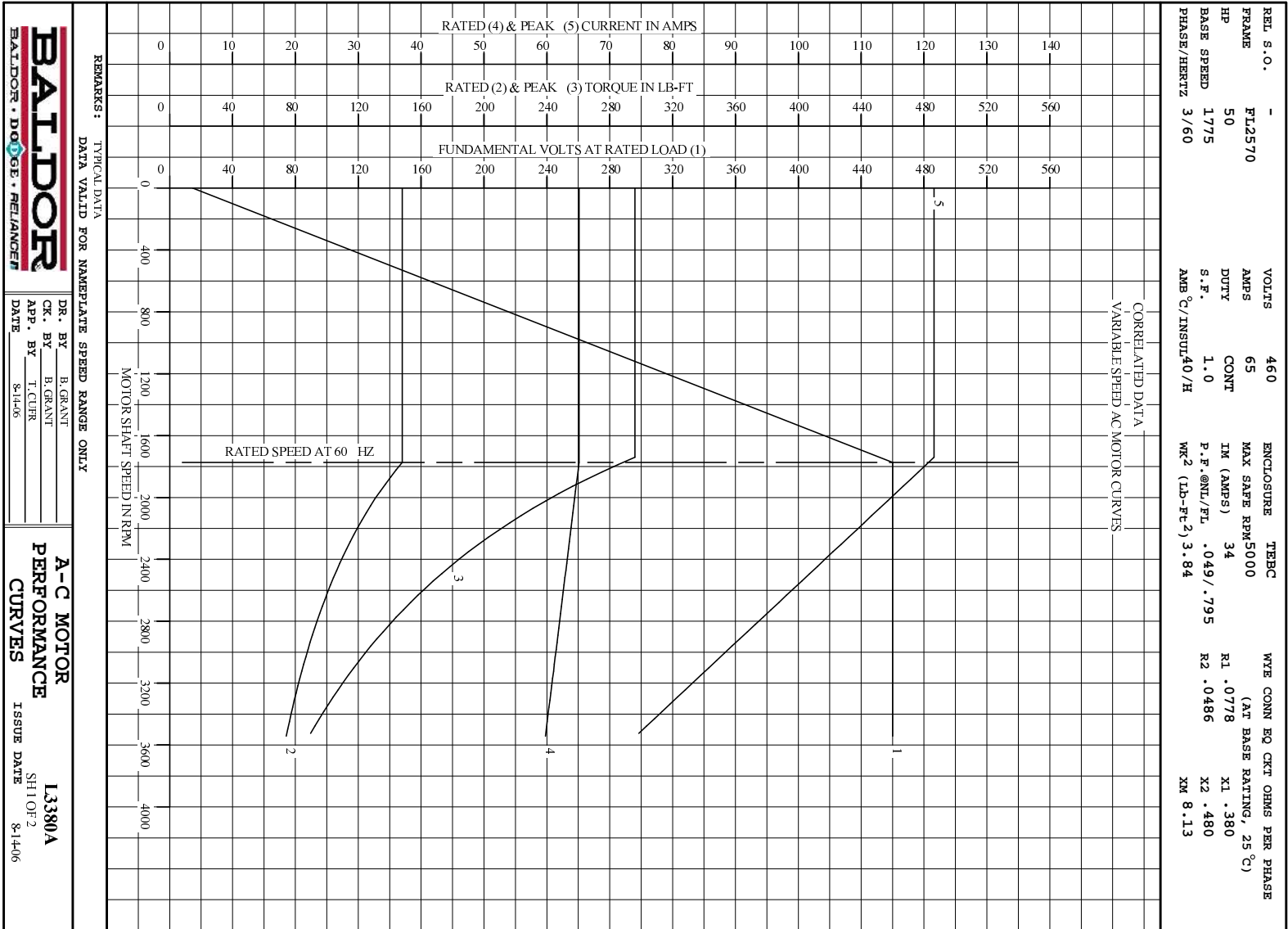
LOAD PERFORMANCE AT BASE SPEED

	RPM	HP	TORQUE LB-FT	FUND VOLTS	FREQ-HZ	AMPS
NO LOAD	1800	0	0	460	60	33.0
1/4	1794	12.5	37	460	60	36.0
1/2	1787	25.0	74	460	60	43.4
3/4	1781	37.5	111	460	60	53.4
FULL LOAD	1774	50.0	148	460	60	65.1
O/L	1741	98.1	296	460	60	122

BLOWER DATA	VOLTS	PH/HZ	FL AMPS	LR AMPS	FRAME	CFM

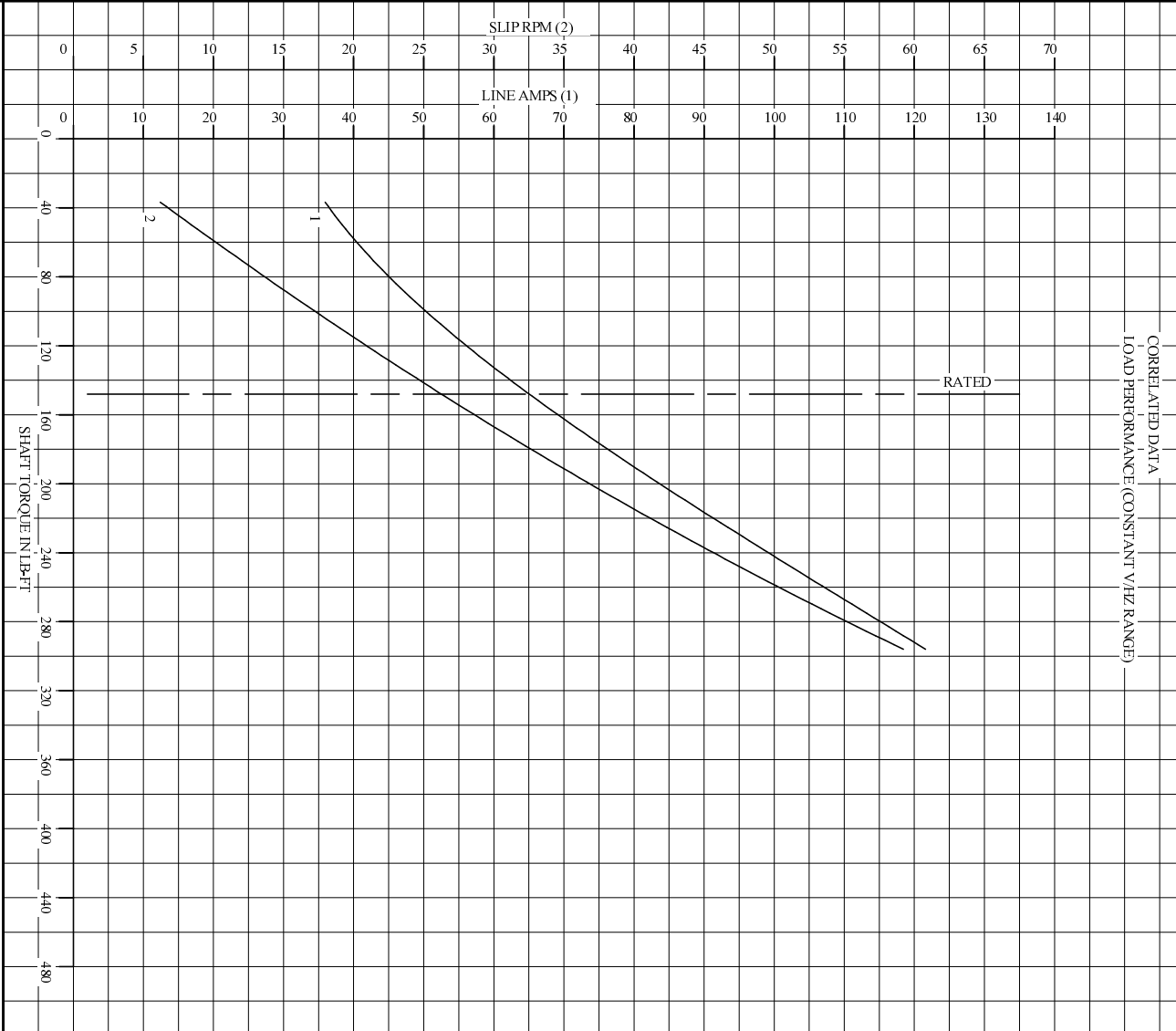
REMARKS: TYPICAL DATA
CORRELATED DATA

	DR. BY	B. GRANT	A-C MOTOR PERFORMANCE DATA
	CK. BY	T. CUER	
	APP. BY	8-14-06	
		DATE	L3380A ISSUE DATE 8-14-06



1

REL. S.O.	-	VOLTS	460	ENCLOSURE	TEBC	WYE CONN EQ CKT OHMS PER PHASE
FRAME	FL2570	AMPS	65	MAX SAFE RPM	5000	(AT BASE RATING, 25°C)
HP	50	DUTY	CONT	IM (AMPS)	34	R1 .0778 X1 .380
BASE SPEED	1775	S.F.	1.0	P.F.@NL/FL	.049/.795	R2 .0486 X2 .480
PHASE/HERTZ	3/60	AMB C/INSUL	40/H	WK ² (LB-FL ²)	3.84	XM 8.13



REMARKS: TYPICAL DATA
DATA VALID FOR NAMEPLATE SPEED RANGE ONLY

BALDOR • DOUG • RELIANCE

A-C MOTOR PERFORMANCE CURVES

DR. BY B. GRANT
CK. BY B. GRANT
APP. BY T. CURR
DATE 8-14-06

L3380A

SH20F2
ISSUE DATE 8-14-06