

BALDOR® • *RELIANCE*

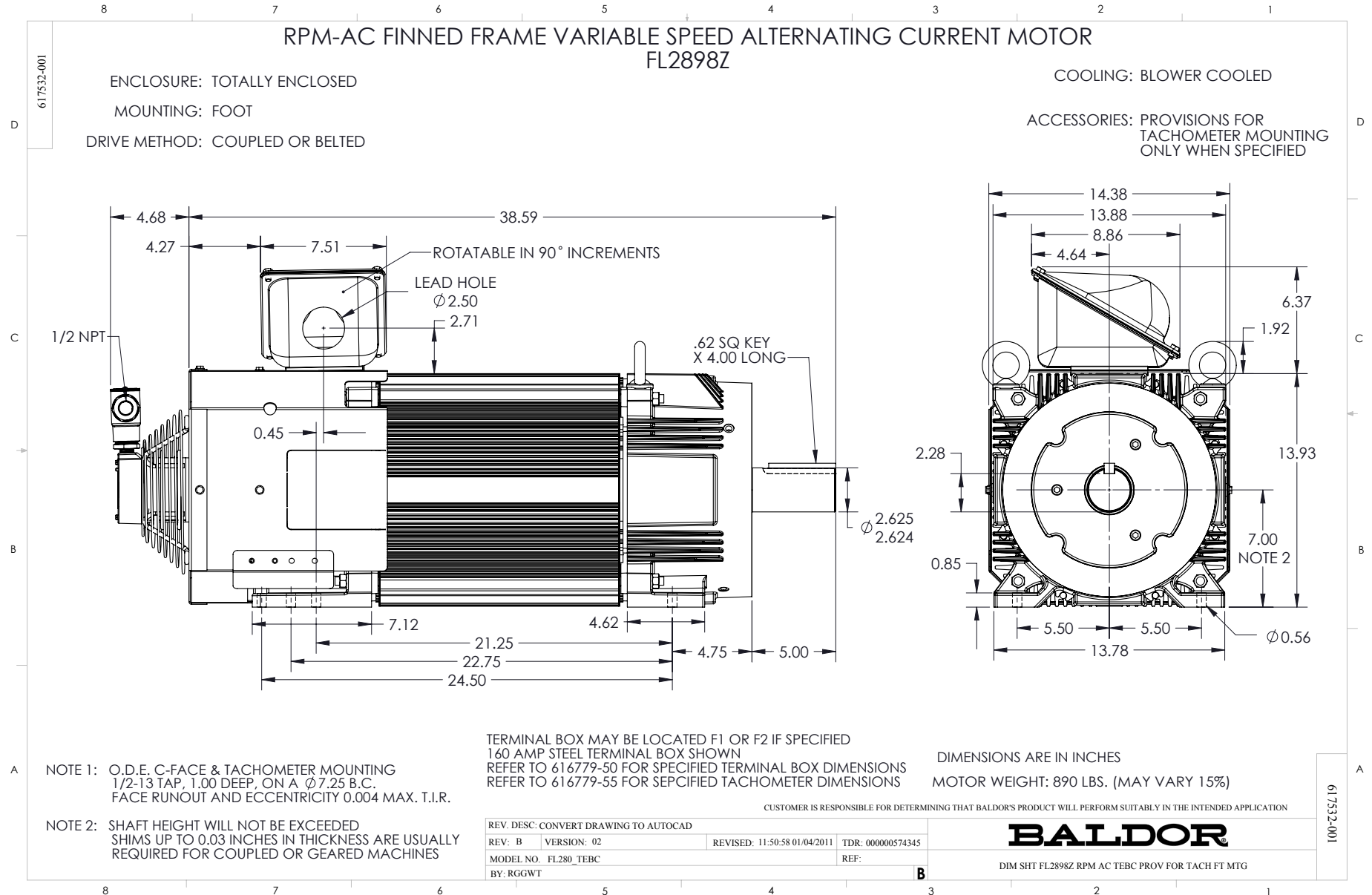
Product Information Packet

IDBRPM281254

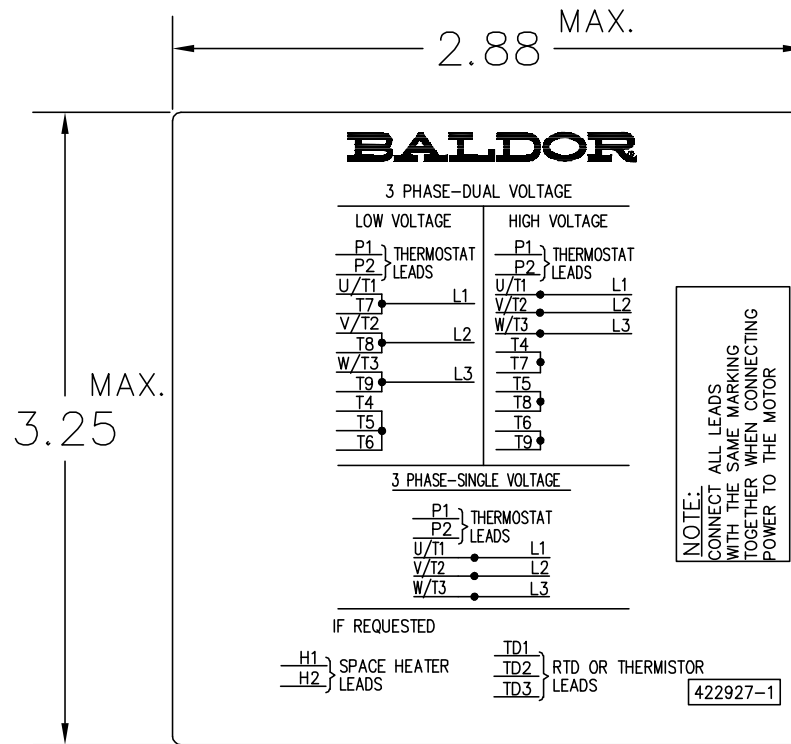
125HP, 1750/3550, 3PH, FL2898, TEBC, F3

Copyright © All product information within this document is subject to Baldor Electric Company copyright © protection, unless otherwise noted.

Part Detail			
Model Number:	IDBRPM281254	Environment:	
Voltage:	460	HP:	125
RPM:	1780/3555	Efficiency:	
Phase:	3	Frequency:	60
Inverter Duty:	*	Enclosure:	TEBC
Frame Group:	280	Frame Size:	FL2898
Features:		Mounting:	
Service Factor:	1	Enclosure Group:	TEBC
Weight:	0	Price Symbol:	
Speed Range:		Insulation Class:	H
Nema Design:		Encl. Enhancement:	
Catalog Page:		Dimension Sheet:	617532-1
Connection Diagram:	422927-1	Electric Design:	L4053A
Single HP:	125	Get Notes:	
Revision:		Instruction Manual:	
Application:		Epact:	
Scaled Drawing:		Obsolete:	N
Last Data Source:	RGG,MADD	Bearing Type:	
Electrical Type:		Mounting Pos.:	
Ambient:	40	Duty:	
Amps:		Nominal Eff.:	
Kva Code:		Power Factor:	
Poles:	00	Literature:	



422927-001



NOTE:
DATA TO BE SIZED
SO THAT IT FITS INTO
MATERIAL DECAL
DIMENSIONS. MAKE
LETTERS & NUMBERS
AS LARGE AS POSSIBLE.

MATERIAL: CERAMATIC DGF-P4
PERMA GRIP ADHESIVE
ALL LETTERS, NUMBERS
AND LINES TO BE BLACK
ON GOLD BACKGROUND.

NOTE:
CONNECT ALL LEADS
WITH THE SAME MARKING
TOGETHER WHEN CONNECTING
POWER TO THE MOTOR

422927-1

422927-001

REV. DESC: CHANGE LOGO TO BALDOR		
REV. LTR: A	VERSION: 01	TDR: 000000556744
FILE: \RGG\00000\203	REVISED: 02:51:59 09/02/2010	
MTL: -	BY: RGGWT	

BALDOR

EXTERNAL CONNECTION LABEL
SH 1 of 1