

BALDOR® • *RELIANCE*

Product Information Packet

IDCSWDM3710T

7.5HP, 1770RPM, 3PH, 60HZ, 213TC, 3739M, TEFC

Copyright © All product information within this document is subject to Baldor Electric Company copyright © protection, unless otherwise noted.

Part Detail							
Revision:	R	Status:	PRD/A	Change #:		Proprietary:	No
Type:	AC	Prod. Type:	3739M	Elec. Spec:	37WGT864	CD Diagram:	
Enclosure:	TEFC	Mfg Plant:		Mech. Spec:	37H885	Layout:	
Frame:	213TC	Mounting:	F1	Poles:	04	Created Date:	10-25-2006
Base:	RG	Rotation:	R	Insulation:	H	Eff. Date:	09-20-2012
Leads:	9#14	Literature:		Elec. Diagram:		Replaced By:	

Nameplate NP1608L

CAT NO	IDCSWDM3710T						
SPEC.	37H885T864G1						
FRAME	213TC	HP	7.5	TE			
VOLTS	230/460						
MAG CUR	8.8/4.4	FLA	19/9.5				
RPM	1770	RPM MAX	6000				
HZ	60	PH	3	CLASS	H		
SER.F.	1.00	DES	A	SL HZ	1		
NEMA-NOM-EFF	91.7	WK2	0.959				
BLWR V		PH		HZ		A	
RATING	40C AMB-CONT						
DE BRG	6307	ODE BRG	6206				
CC	010A	SN					

Parts List		
Part Number	Description	Quantity
SA151215	SA 37H885T864G1	1.000 EA
RA140041	RA 37H885T864G1	1.000 EA
37FN3002B01	EXFN, PLASTIC, 7.50 OD, 1.155 ID	1.000 EA
HW3200S01	EYEBOLT 3/8-16 X3/4 S.S. TDR #35988	1.000 EA
37CB3000A40MU	K.O. BOX-MODEL 37 NEMA 213-5 .75 NPT LEA	1.000 EA
37GS1015	GASKET, FOR 37 WD KOBX'S (SANTOPRENE)	1.000 EA
51XW2520A12	.25-20 X .75, TAPTITE II, HEX WSHR SLTD	2.000 EA
11XW1032G06	10-32 X .38, TAPTITE II, HEX WSHR SLTD U	1.000 EA
HW3001B01	003SS CUP WASHER, FOR #8 SCREW	1.000 EA
37EP3101A49MU	FR EP 37 L & M TEFC (FOR S.P. #9D)	1.000 EA
HW4500A33	1/8 NPT STAINLESS,HOLO-KROME #13002,PRES	3.000 EA
HW5100A06	W2420-025 WVY WSHR (WB)	1.000 EA
37EP3300A25MU	FACE MT EP-ENCL-307 BRG-213TC-215TC NO G	1.000 EA
HW4500A33	1/8 NPT STAINLESS,HOLO-KROME #13002,PRES	3.000 EA
HW4606A04	JM CLIPPER/SEAL (LWE-1376-2125-AL45)	1.000 EA
10XN2520S30	1/4-20 X 1 7/8 HEX HEAD SS	4.000 EA
XY3118S12	5/16-18 HEX NUT, STAINLESS STEEL	4.000 EA
51XB1214A20	12-14X1.25 HXWSSLD SERTYB	1.000 EA
37FH4000A45	STAINLESS FAN COVER, NO GREASER SLOT (FO	1.000 EA
11XW1032S06	10-32 X .38, TAPTITE II, HEX WSHR SLTD U	3.000 EA
36CB4517	36 LIPPED CB LID #304 STAINLESS STEEL	1.000 EA
37GS3010SP	1/16"WHITE LID GASKET	1.000 EA
59XW0832S07	TAPTITE II,HEX WSHR UNSLTD SER,410 S.S.,	4.000 EA
HA1005A02SP	SLINGER, OD 2.00, ID 1.14, 206 BRG,	1.000 EA

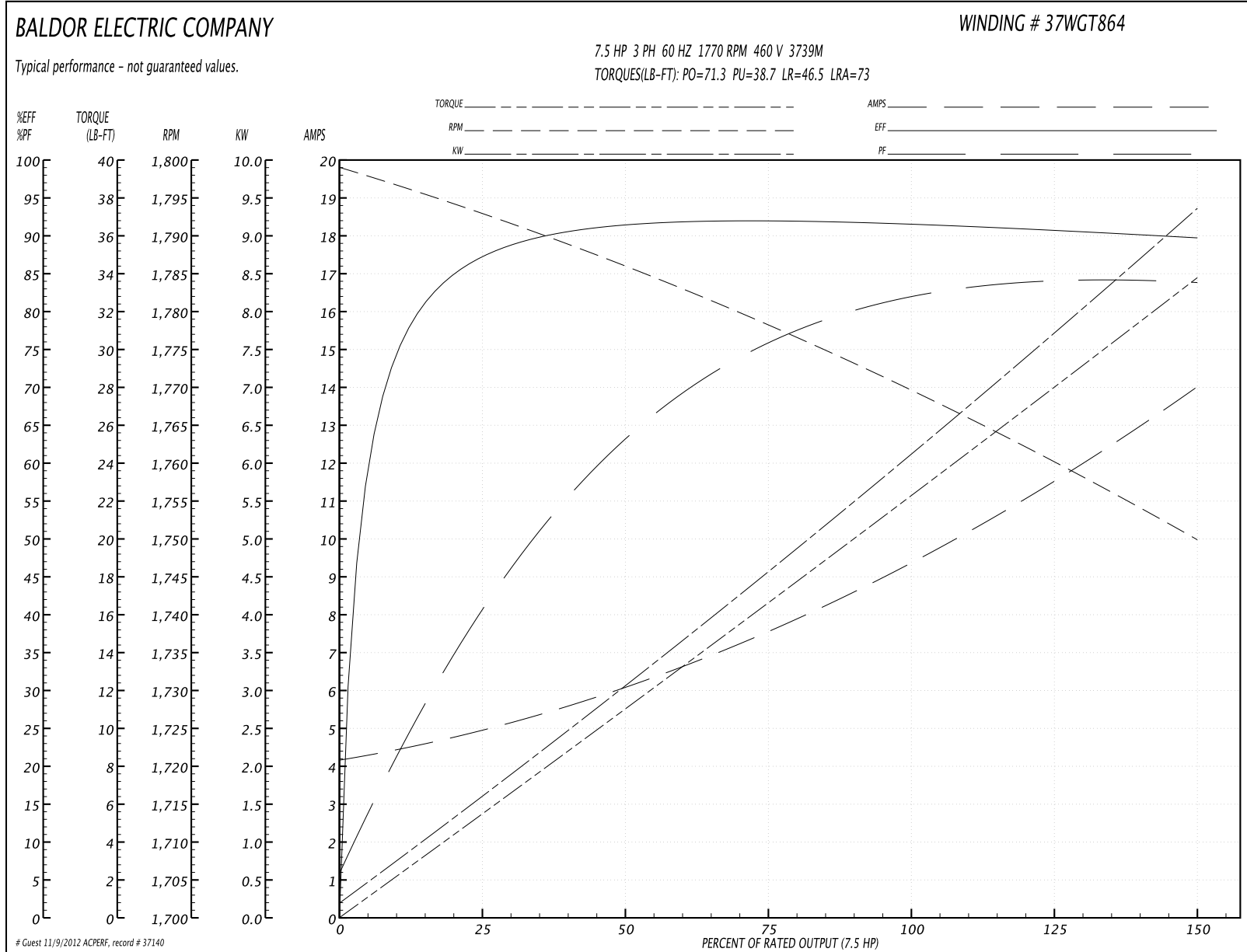
Parts List (continued)		
Part Number	Description	Quantity
HW2502F21	#303 SS,SQ KEY 5/16 X 2.375	1.000 EA
HA7000A02	KEY RETAINER RING, 1 1/8 DIA, 1 3/8 DIA	1.000 EA
MJ5001A02	732 CL SEALANT 3 OZ DIXIE BEARING 289100	0.001 EA
MJ5001A05	CHEM-CALK 900 WHITE #75 BOSTICK CONSTRU	0.001 EA
85XU0407S04	4X1/4 U DRIVE PIN STAINLESS	2.000 EA
LB1115	LABEL,LIFTING DEVICE	1.000 EA
LB1164	LABEL,WARNING AND DRAIN	1.000 EA
MJ1000A75	GREASE, POLYREX EM EXXON	0.050 LB
HA3104S17	THRUBOLT 13.250LG SS	4.000 EA
LB1125C01	STD (STOCK) CARTON LABEL BALDOR WITH FLA	1.000 EA
LC0145B01	CONNECTION LABEL	1.000 EA
NP1608L	SS WD INV UL CSA CC REV MTG	1.000 EA
G0PA1000	PACKAGING GROUP	1.000 EA

Performance Data at 460V, 60Hz, 7.5HP (Typical performance - Not guaranteed values)

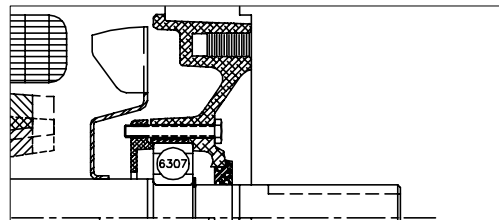
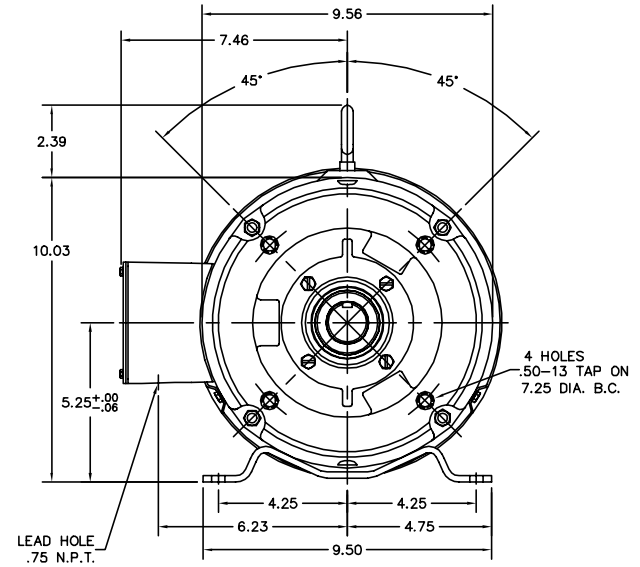
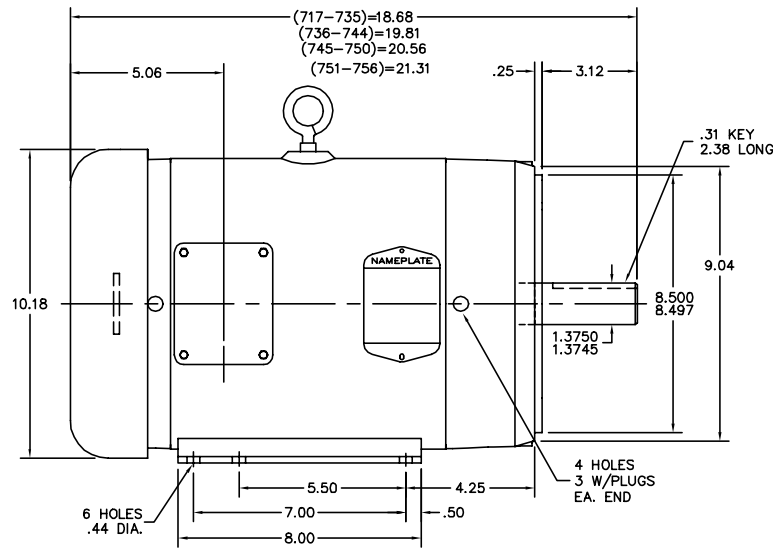
General Characteristics			
Full Load Torque:	22.3 LB-FT	Start Configuration:	DOL
No-Load Current:	4.3 Amps	Break-Down Torque:	71.3 LB-FT
Line-line Res. @ 25°C.:	1.34 Ohms A Ph / 0.0 Ohms B Ph	Pull-Up Torque:	38.7 LB-FT
Temp. Rise @ Rated Load:	69 C	Locked-Rotor Torque:	46.5 LB-FT
Temp. Rise @ S.F. Load:		Starting Current:	73.0 Amps

Load Characteristics							
% of Rated Load	25	50	75	100	125	150	S.F.
Power Factor:	42.0	65.0	75.0	81.0	83.0	85.0	0.0
Efficiency:	86.9	91.1	92.1	91.7	90.8	89.7	0.0
Speed:	1793.0	1786.0	1778.0	1770.0	1760.0	1750.0	0.0
Line Amperes:	4.8	5.95	7.62	9.47	11.6	13.9	0.0

Performance Graph at 460V, 60Hz, 7.5HP Typical performance - Not guaranteed values



37LYH885



PULLEY END SECTION

CUSTOMER IS RESPONSIBLE FOR DETERMINING THAT MOTOR PERFORMANCE IS SUITABLE IN THE APPLICATION.

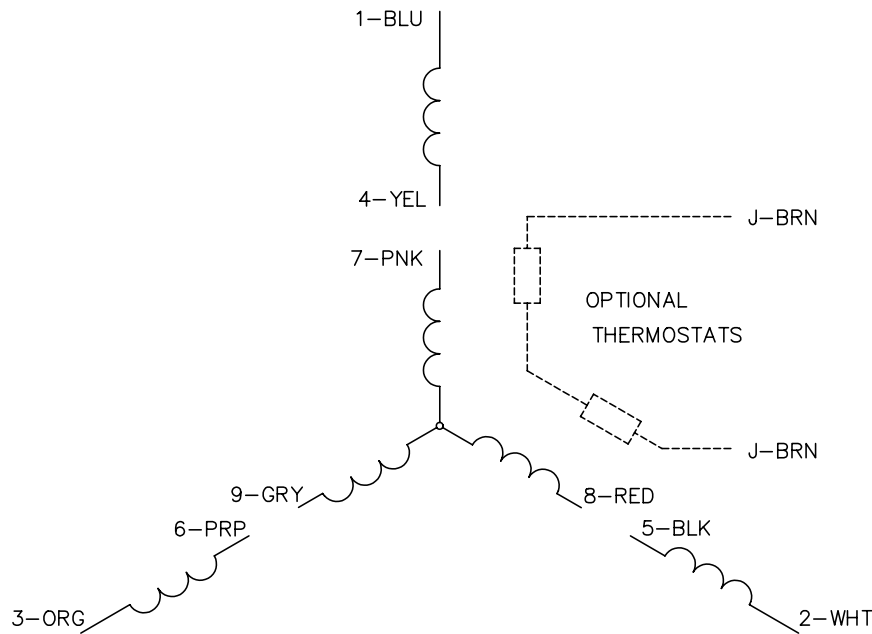
REV. DESC: ADDED DRAIN PLUGS		
REV. LTR: B	VERSION: 02	TDR: 000000374458
FILE: \AAA\00093\295	REVISED: 14:37:45 08/26/2005	BY: ENKENTO
MTL: -		

BALDOR ELECTRIC Co.

HORZ 213-5TC TEFC 37M WD2 (PAINT FREE) INVERTER RAISED LTR

37LYH885

CD0005



LOW VOLTAGE
(2Y)



LINE

HIGH VOLTAGE
(1Y)



LINE

NOTES:

1. INTERCHANGE ANY TWO LINE LEADS TO REVERSE ROTATION.
2. OPTIONAL THERMOSTATS ARE PROVIDED WHEN SPECIFIED.
3. ACTUAL NUMBER OF INTERNAL PARALLEL CIRCUITS MAY BE A MULTIPLE OF THOSE SHOWN ABOVE.
4. LEAD COLORS ARE OPTIONAL. LEADS MUST ALWAYS BE NUMBERED AS SHOWN.

REV. DESC: REVISE TO SHOW OPTIONAL COLORS			
REV. LTR: E	BY: JLP	REVISED: 01/19/99 10:15	TDR: 0171435
90000		FILE: AAA00005140	MDL: -
		MTL: -	

BALDOR ELECTRIC Co.

3PH, DV, 9 LEADS

CD0005