

# **BALDOR**® • *RELIANCE*

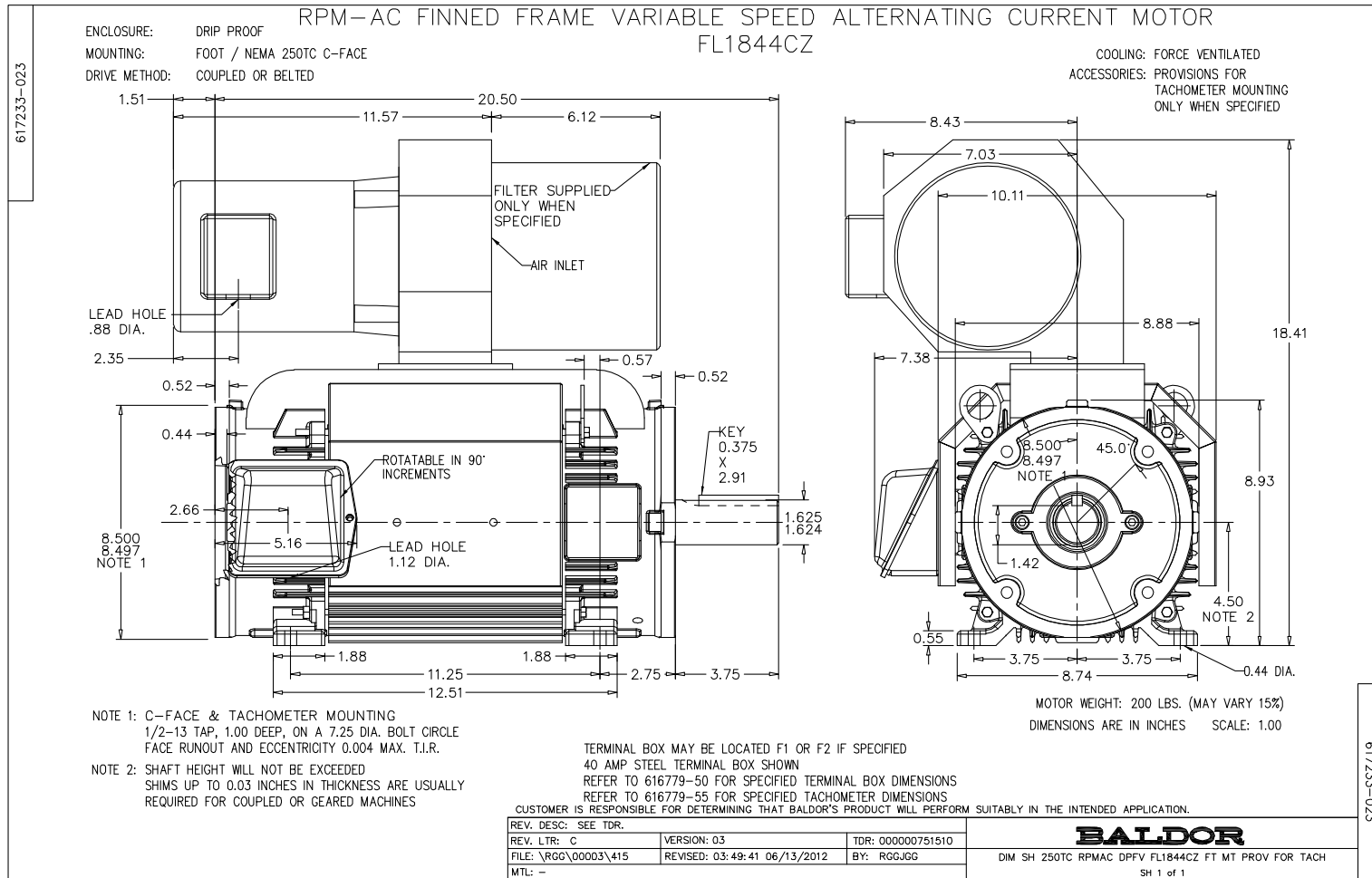
## **Product Information Packet**

# **IDDRPM18254C**

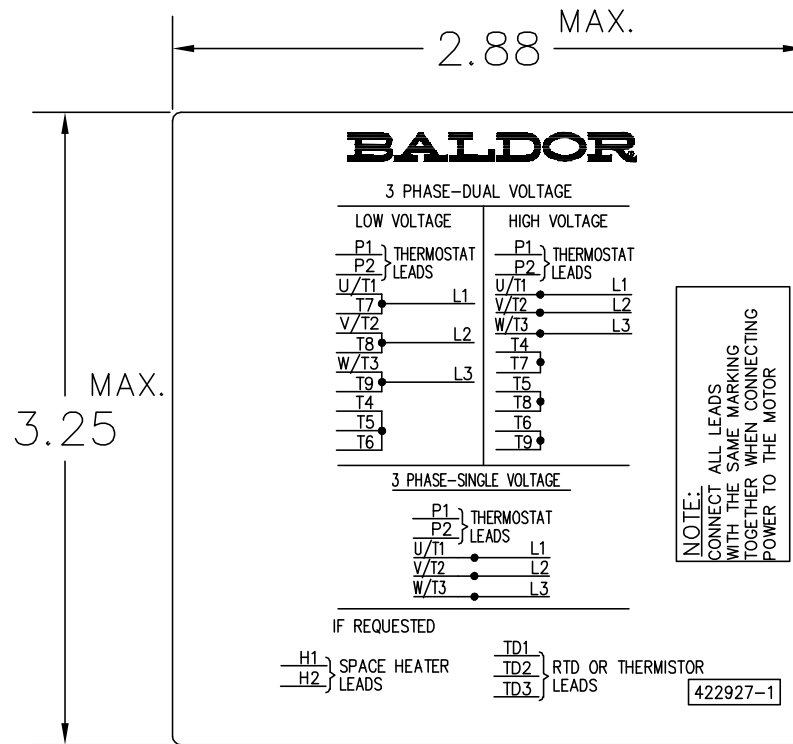
**25HP,1740RPM,3PH,60HZ,1844C,DPG-FV,FT/2**

Copyright © All product information within this document is subject to Baldor Electric Company copyright © protection, unless otherwise noted.

Part Detail			
Model Number:	IDDRPM18254C	Environment:	General Purpose
Voltage:	460	HP:	25
RPM:	1740/2610	Efficiency:	NA
Phase:	3	Frequency:	N/A
Inverter Duty:	Y	Enclosure:	DPFV
Frame Group:	180	Frame Size:	FL1844CZ
Features:	RPM AC	Mounting:	Foot Mounted
Service Factor:	1	Enclosure Group:	DPG-FV
Weight:	0	Price Symbol:	E2
Speed Range:		Insulation Class:	H
Nema Design:		Encl. Enhancement:	
Catalog Page:	M-212,	Dimension Sheet:	617233-23
Connection Diagram:	422927-1	Electric Design:	L3346A
Single HP:	25	Get Notes:	RPM AC
Revision:		Instruction Manual:	
Application:	Variable Speed-V*S	Epact:	?
Scaled Drawing:		Obsolete:	N
Last Data Source:	RGG,MADD	Bearing Type:	
Electrical Type:		Mounting Pos.:	
Ambient:	40	Duty:	
Amps:		Nominal Eff.:	
Kva Code:		Power Factor:	
Poles:	00	Literature:	



422927-001



NOTE:  
DATA TO BE SIZED  
SO THAT IT FITS INTO  
MATERIAL DECAL  
DIMENSIONS. MAKE  
LETTERS & NUMBERS  
AS LARGE AS POSSIBLE.

MATERIAL: CERAMATIC DGF-P4  
PERMA GRIP ADHESIVE  
ALL LETTERS, NUMBERS  
AND LINES TO BE BLACK  
ON GOLD BACKGROUND.

NOTE:  
CONNECT ALL LEADS  
WITH THE SAME MARKING  
TOGETHER WHEN CONNECTING  
POWER TO THE MOTOR

422927-1

422927-001

REV. DESC: CHANGE LOGO TO BALDOR		
REV. LTR: A	VERSION: 01	TDR: 000000556744
FILE: \RGG\00000\203	REVISED: 02:51:59 09/02/2010	
MTL: -	BY: RGGWT	

**BALDOR**  
EXTERNAL CONNECTION LABEL  
SH 1 of 1

REL. S. O.	-	VOLTS	460	ENCLOSURE	DPFV	WYE CONN EQ CKT OHMS PER PHASE (AT BASE RATING, 25 °C)
FRAME	FL1844	AMPS	33	MAX SAFE RPM	7200	
HP	25	DUTY	CONT	IM (AMPS)	14	R1 .279 X1 .949
BASE SPEED	1740	S.F.	1.0	P.F. @NL/FL	.080/.839	R2 .198 X2 .903
PHASE/HERTZ	3/60	AMB °C/INSUL	40/H	WK <sup>2</sup> (LB-FT <sup>2</sup> )	.645	XM 15.4

**RATED FULL LOAD DATA**

	RPM	HP	TORQUE LB-FT	FUND VOLTS	FREQ-HZ	AMPS
BASE SPEED	1741	25.0	75	460	60	34.3
MAX SPEED	3152	25.0	42	460	109	31.6
MIN SPEED	0	0	75	28.1	1.97	34.3


**LOAD PERFORMANCE AT BASE SPEED**

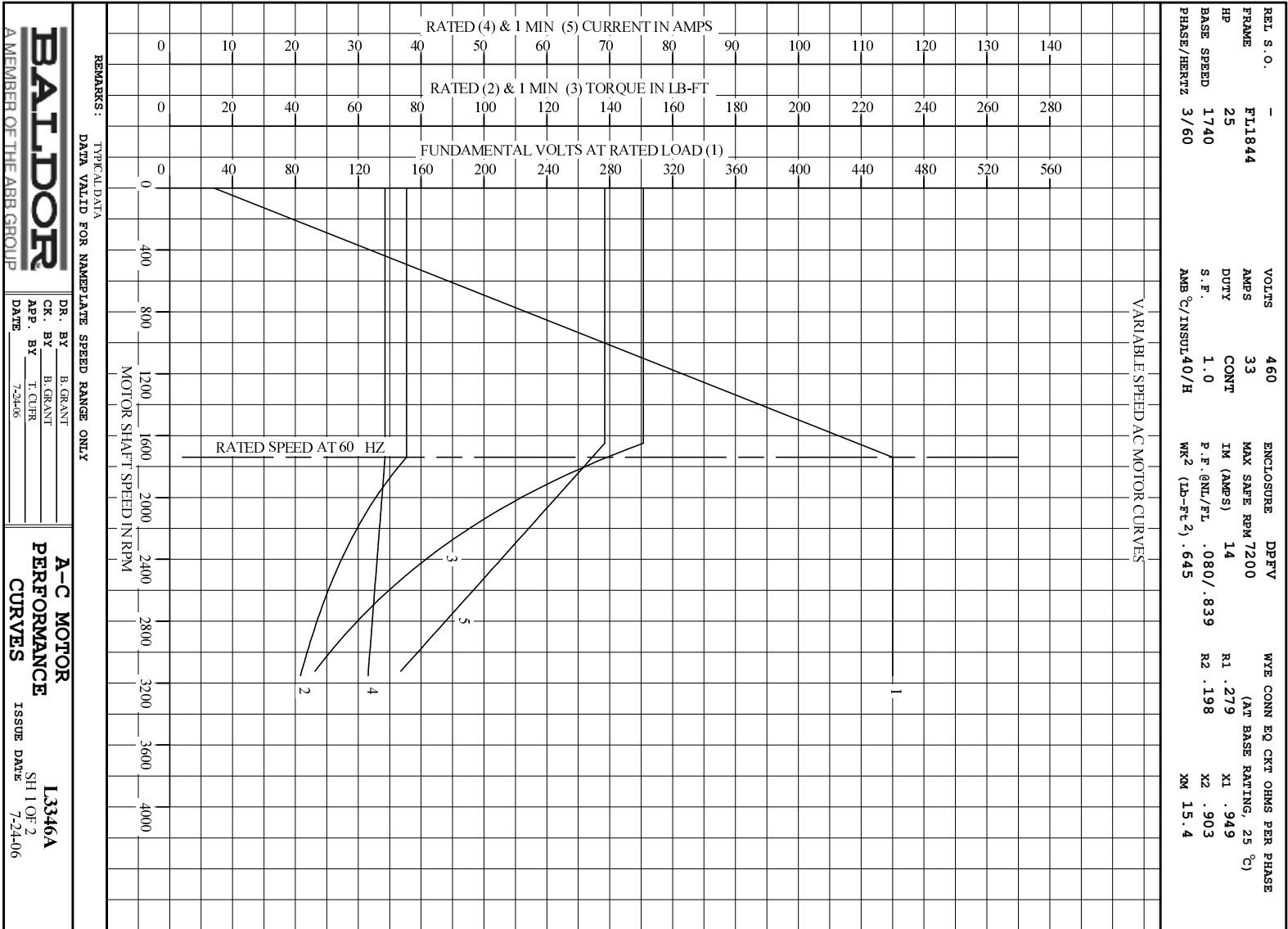
	RPM	HP	TORQUE LB-FT	FUND VOLTS	FREQ-HZ	AMPS
NO LOAD	1800	0	0	460	60	17.6
1/4	1787	6.25	18	460	60	19.0
1/2	1773	12.5	37	460	60	22.6
3/4	1758	18.7	56	460	60	27.8
FULL LOAD	1741	25.0	75	460	60	34.3
O/L	1650	47.4	151	460	60	69.2

**BLOWER DATA**

VOLTS	PH/HZ	FL AMPS	LR AMPS	FRAME	CFM

REMARKS: TYPICAL DATA

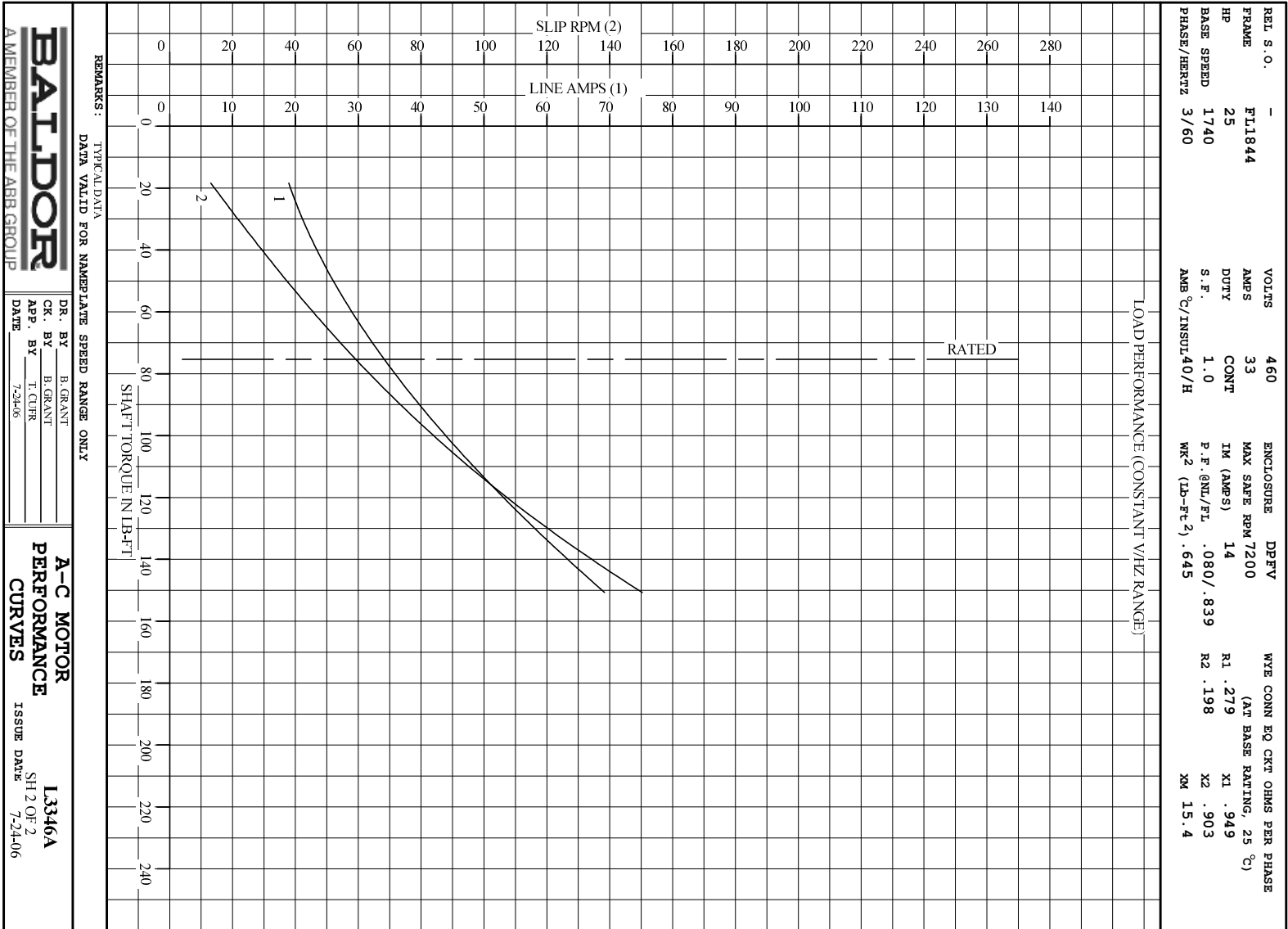
	DR. BY	B. GRANT	<b>A-C MOTOR PERFORMANCE DATA</b>
	CK. BY	B. GRANT	
	APP. BY	T. COFF	<b>L3346A</b>
	DATE	7-24-06	



**BALDOR**  
A MEMBER OF THE ABB GROUP

DR. BY B. GRANT  
 CK. BY B. GRANT  
 APP. BY T. CURR  
 DATE 7-24-06

**A-C MOTOR**  
**PERFORMANCE**  
**CURVES**  
 L3346A  
 SH 1 OF 2  
 ISSUE DATE 7-24-06



REMARKS: TYPICAL DATA  
DATA VALID FOR NAMEPLATE SPEED RANGE ONLY

<p><b>BALDOR</b> A MEMBER OF THE ABB GROUP</p> <p>DR. BY B. GRANT CK. BY B. GRANT APP. BY T. CURR DATE 7-24-06</p>	<p><b>A-C MOTOR</b> PERFORMANCE CURVES</p> <p style="text-align: right;">L3346A SH 2 OF 2 ISSUE DATE 7-24-06</p>
--	--