

# **BALDOR® • RELIANCE**

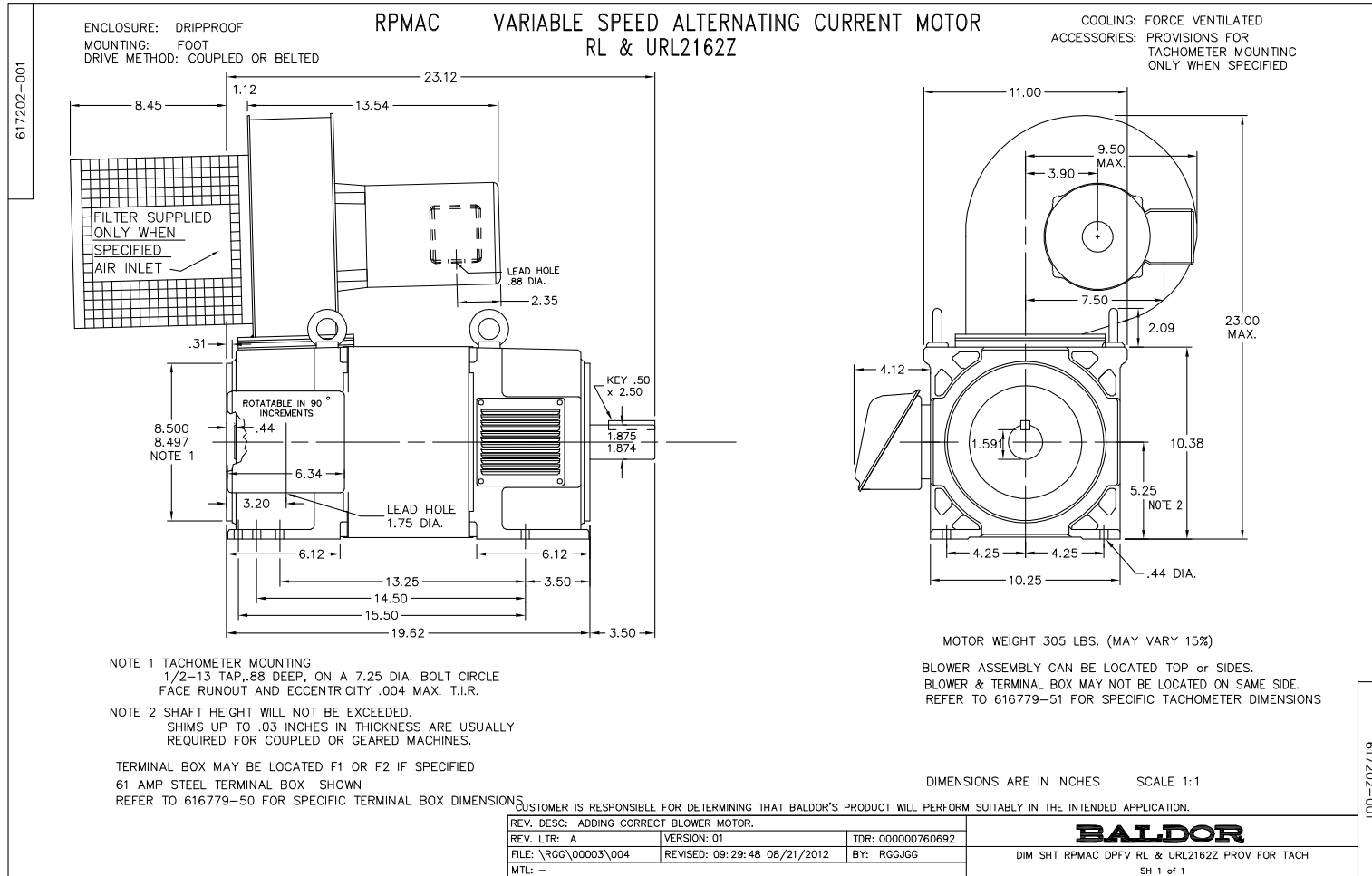
## **Product Information Packet**

### **IDDRPM21404**

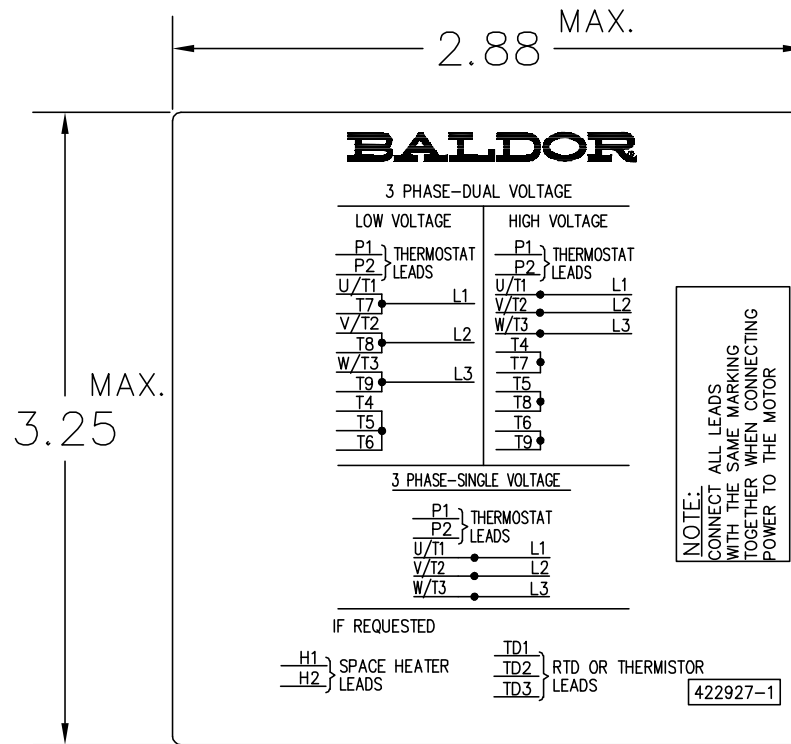
**40HP, 1750RPM, 3PH, N/AHZ, 2162, DPG-FV,**

Copyright © All product information within this document is subject to Baldor Electric Company copyright © protection, unless otherwise noted.

Part Detail			
Model Number:	IDDRPM21404	Environment:	General Purpose
Voltage:	460	HP:	40
RPM:	1750/2000	Efficiency:	NA
Phase:	3	Frequency:	N/A
Inverter Duty:	Y	Enclosure:	DPG-FV
Frame Group:	210	Frame Size:	RL2162
Features:	RPM AC	Mounting:	
Service Factor:	1	Enclosure Group:	DPG-FV
Weight:	0	Price Symbol:	E2
Speed Range:		Insulation Class:	H
Nema Design:	A	Encl. Enhancement:	
Catalog Page:	M-213,	Dimension Sheet:	617202-1
Connection Diagram:	422927-1	Electric Design:	L0231A
Single HP:	40	Get Notes:	RPM AC
Revision:		Instruction Manual:	B-3682
Application:	Variable Speed-V*S	Epact:	?
Scaled Drawing:		Obsolete:	N
Last Data Source:	RGG,MADD	Bearing Type:	
Electrical Type:		Mounting Pos.:	
Ambient:	40	Duty:	
Amps:		Nominal Eff.:	
Kva Code:		Power Factor:	
Poles:	00	Literature:	



422927-001



NOTE:  
DATA TO BE SIZED  
SO THAT IT FITS INTO  
MATERIAL DECAL  
DIMENSIONS. MAKE  
LETTERS & NUMBERS  
AS LARGE AS POSSIBLE.

MATERIAL: CERAMATIC DGF-P4  
PERMA GRIP ADHESIVE  
ALL LETTERS, NUMBERS  
AND LINES TO BE BLACK  
ON GOLD BACKGROUND.

422927-1

422927-001

REV. DESC: CHANGE LOGO TO BALDOR		
REV. LTR: A	VERSION: 01	TDR: 000000556744
FILE: \RGG\00000\203	REVISED: 02:51:59 09/02/2010	
MTL: -	BY: RGGWT	

**BALDOR**

EXTERNAL CONNECTION LABEL  
SH 1 of 1

REL. S. O. -  
 FRAME RL2162  
 HP 40  
 BASE SPEED 1750  
 PHASE/HERTZ 3/60

VOLTS 460  
 AMPS 49.26  
 DUTY CONT 1.0  
 S.F. P.F. .089/.872  
 AMB °C/INSUL 40/H WK<sup>2</sup> (LB-FT<sup>2</sup>) 1.99

ENCLOSURE IM (AMPS) 5000  
 MAX SAFE RPM 15.52  
 P.F. @NL/FL .113  
 WR<sup>2</sup> (LB-FT<sup>2</sup>) 1.99

WYE CONN EQ CKT OHMS PER PHASE (AT BASE RATING, 25 °C)  
 R1 .177 X1 .748  
 R2 .113 X2 .717  
 XM 17.6


**RATED FULL LOAD DATA**

	RPM	HP	TORQUE LB-FT	FUND VOLTS	FREQ-HZ	AMPS
BASE SPEED	1747	40.0	120	460	60	49.6
MAX SPEED	2007	40.0	105	460	69	48.9
MIN SPEED	0	0	120	26.7	1.78	49.6

**LOAD PERFORMANCE AT BASE SPEED**

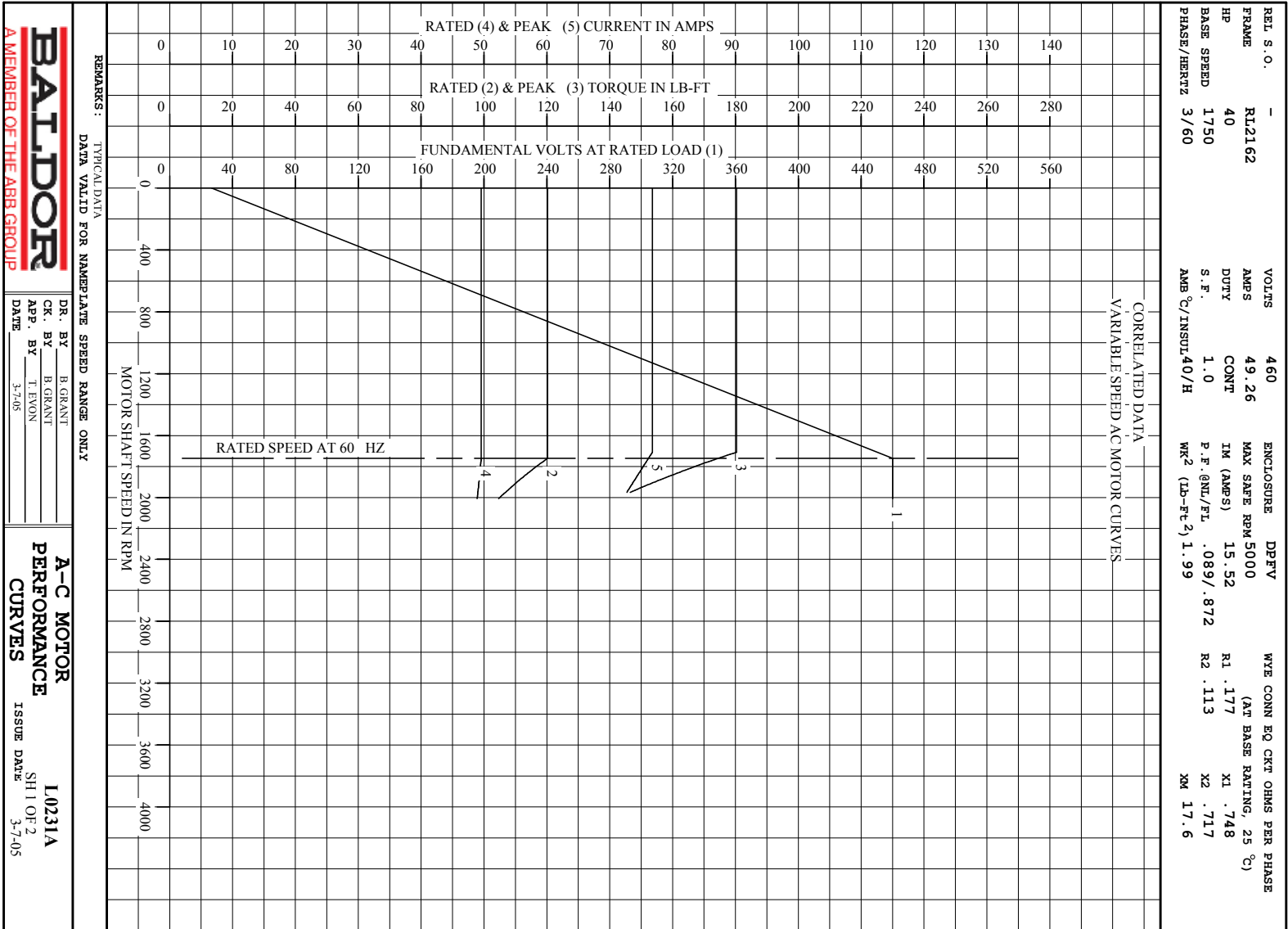
	RPM	HP	TORQUE LB-FT	FUND VOLTS	FREQ-HZ	AMPS
NO LOAD	1800	0	0	460	60	15.3
1/4	1788	10.0	29	460	60	19.4
1/2	1776	20.0	59	460	60	27.6
3/4	1762	30.0	89	460	60	37.7
FULL LOAD	1747	40.0	120	460	60	49.6
O/L	1707	58.6	180	460	60	76.8

REMARKS: TYPICAL DATA  
 CORRELATED DATA

 <p><b>A MEMBER OF THE ABB GROUP</b></p>	DR. BY B. GRANT	<p><b>A-C MOTOR                  PERFORMANCE                  DATA</b></p> <p>ISSUE DATE 3-7-05</p>
	CK. BY B. GRANT APP. BY T. EVON DATE 3-7-05	

C/R 393520

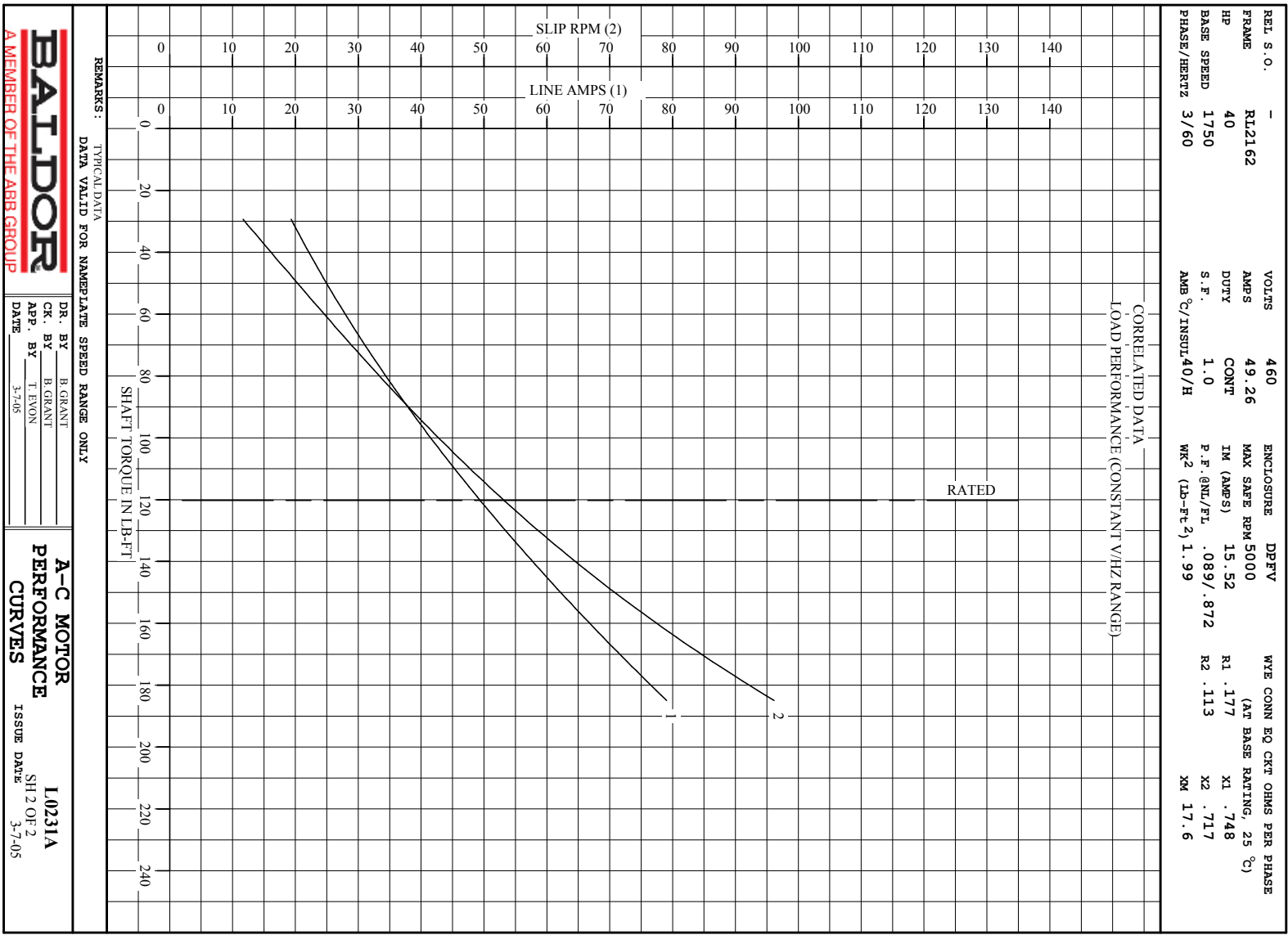
Printed on 12/14/11 12:02 @ 199



REMARKS: TYPICAL DATA  
DATA VALID FOR NAMEPLATE SPEED RANGE ONLY

<p><b>BALDOR</b> A MEMBER OF THE ABB GROUP</p> <p>DR. BY B. GRANT CK. BY B. GRANT APP. BY T. EVON DATE 3-7-05</p>	<p><b>A-C MOTOR PERFORMANCE CURVES</b></p> <p>L0231A SH 1 OF 2 ISSUE DATE 3-7-05</p>
---	--

C/R 393520



REMARKS: TYPICAL DATA  
DATA VALID FOR NAMEPLATE SPEED RANGE ONLY

**BALDOR**  
A MEMBER OF THE ABB GROUP

DR. BY B. GRANT  
CK. BY B. GRANT  
APP. BY T. EVON  
DATE 3-7-05

**A-C MOTOR**  
**PERFORMANCE**  
**CURVES**

L0231A  
SH 2 OF 2  
ISSUE DATE 3-7-05

C/R 393520