

# **BALDOR® • RELIANCE**

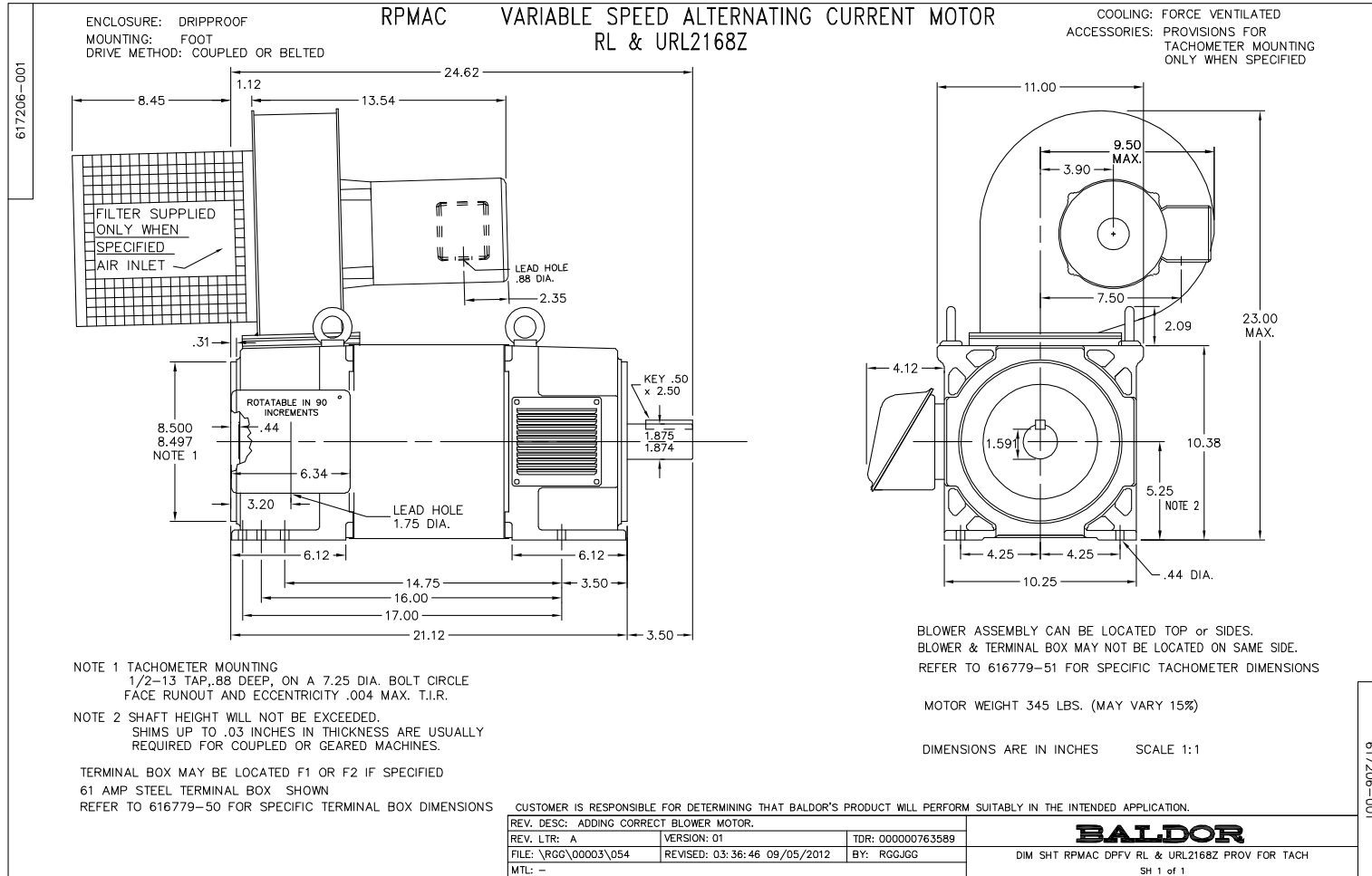
## **Product Information Packet**

### **IDDRPM21504**

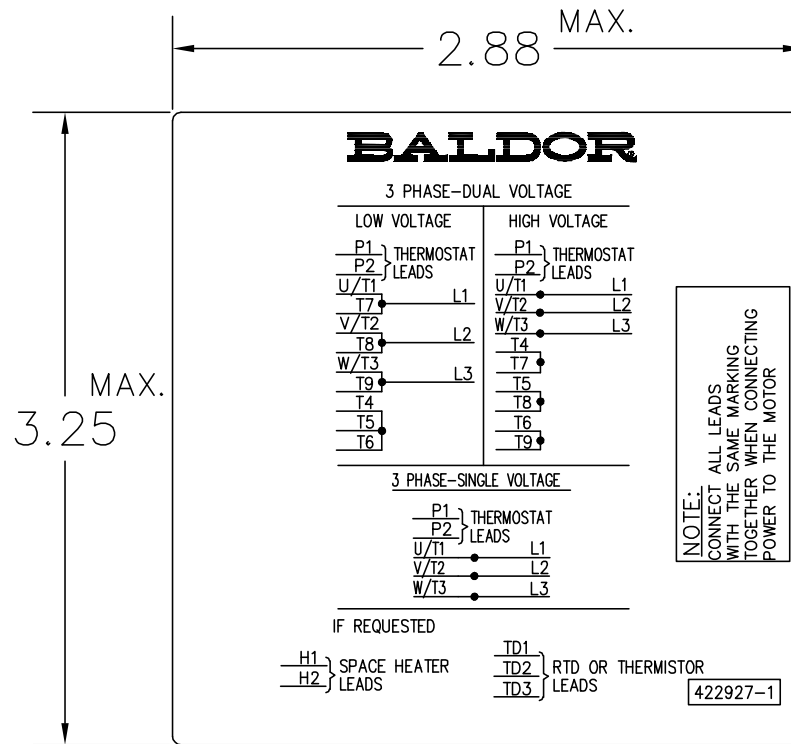
**50HP, 1760RPM, 3PH, N/AHZ, 2168, DPG-FV,**

Copyright © All product information within this document is subject to Baldor Electric Company copyright © protection, unless otherwise noted.

Part Detail			
Model Number:	IDDRPM21504	Environment:	General Purpose
Voltage:	460	HP:	50
RPM:	1760/2010	Efficiency:	NA
Phase:	3	Frequency:	N/A
Inverter Duty:	Y	Enclosure:	DPG-FV
Frame Group:	210	Frame Size:	RL2168
Features:	RPM AC	Mounting:	
Service Factor:	1	Enclosure Group:	DPG-FV
Weight:	0	Price Symbol:	E2
Speed Range:		Insulation Class:	H
Nema Design:	A	Encl. Enhancement:	
Catalog Page:	M-214,	Dimension Sheet:	617206-1
Connection Diagram:	422927-1	Electric Design:	L1757A
Single HP:	50	Get Notes:	RPM AC
Revision:		Instruction Manual:	B-3682
Application:	Variable Speed-V*S	Epact:	?
Scaled Drawing:		Obsolete:	N
Last Data Source:	RGG,MADD	Bearing Type:	
Electrical Type:		Mounting Pos.:	
Ambient:	40	Duty:	
Amps:		Nominal Eff.:	
Kva Code:		Power Factor:	
Poles:	00	Literature:	



422927-001



NOTE:  
DATA TO BE SIZED  
SO THAT IT FITS INTO  
MATERIAL DECAL  
DIMENSIONS. MAKE  
LETTERS & NUMBERS  
AS LARGE AS POSSIBLE.

MATERIAL: CERAMATIC DGF-P4  
PERMA GRIP ADHESIVE  
ALL LETTERS, NUMBERS  
AND LINES TO BE BLACK  
ON GOLD BACKGROUND.

422927-001

REV. DESC: CHANGE LOGO TO BALDOR		
REV. LTR: A	VERSION: 01	TDR: 000000556744
FILE: \RGG\00000\203	REVISED: 02:51:59 09/02/2010	
MTL: -	BY: RGGWT	

**BALDOR**

EXTERNAL CONNECTION LABEL  
SH 1 of 1

REL. S.O.	-	VOLTS	460	ENCLOSURE	DPFV	WYE CONN EQ CKT OHMS PER PHASE (AT BASE RATING, 25 °C)
FRAME	I2168	AMPS	62	MAX SAFE RPM	5000	
HP	50	DUTY	CONT	IM (AMPS)	23	R1 .106 X1 .508
BASE SPEED	1760	S.F.	1.0	P.F.@NL/FL	.083/.857	R2 .0797 X2 .514
PHASE/HERTZ	3/60	AMB °C/INSUL	40/H	WK <sup>2</sup> (LB-FT <sup>2</sup> )	2.32	XM 1.1.8

**RATED FULL LOAD DATA**


	RPM	HP	TORQUE LB-FT	FUND VOLTS	FREQ-HZ	AMPS
BASE SPEED	1756	50.0	150	460	60	61.8
MAX SPEED	2408	50.0	109	460	82.4	60.0
MIN SPEED	0	0	0	20.0	1.49	62.0

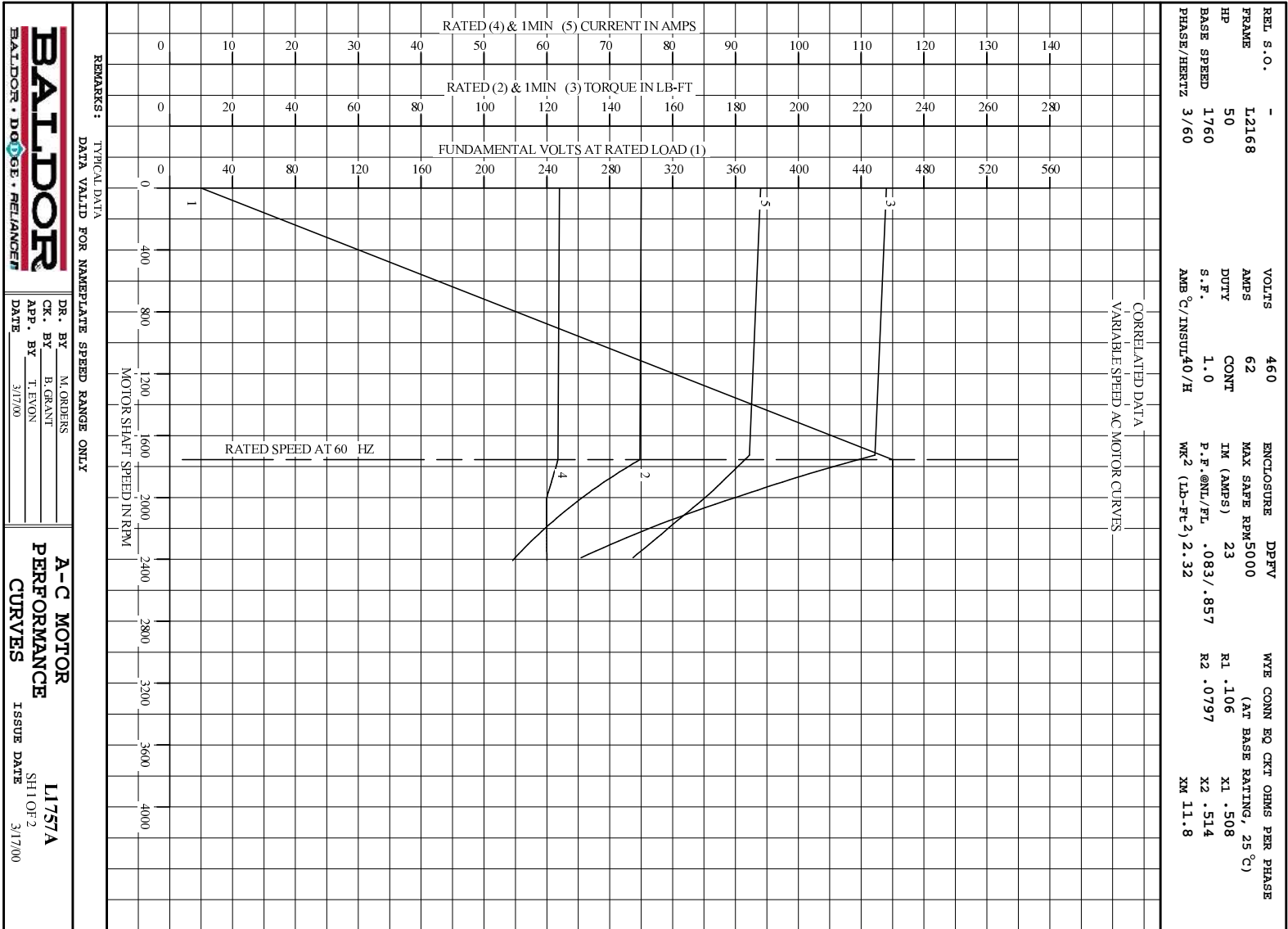
**LOAD PERFORMANCE AT BASE SPEED**

	RPM	HP	TORQUE LB-FT	FUND VOLTS	FREQ-HZ	AMPS
NO LOAD	1800	0	0	460	60	22.6
1/4	1790	12.5	37	460	60	27.2
1/2	1779	25.0	74	460	60	36.4
3/4	1768	37.5	111	460	60	48.2
FULL LOAD	1756	50.0	150	460	60	61.8
O/L	1727	73.8	224	460	60	92.2

BLOWER DATA	VOLTS	PH/HZ	FL AMPS	LR AMPS	FRAME	CFM

REMARKS: TYPICAL DATA  
CORRELATED DATA

	DR. BY	M. ORDERS	<b>A-C MOTOR PERFORMANCE DATA</b>	
	CK. BY	B. GRANT		
	APP. BY	T. EVON		
	DATE	3/17/00	ISSUE DATE	3/17/00

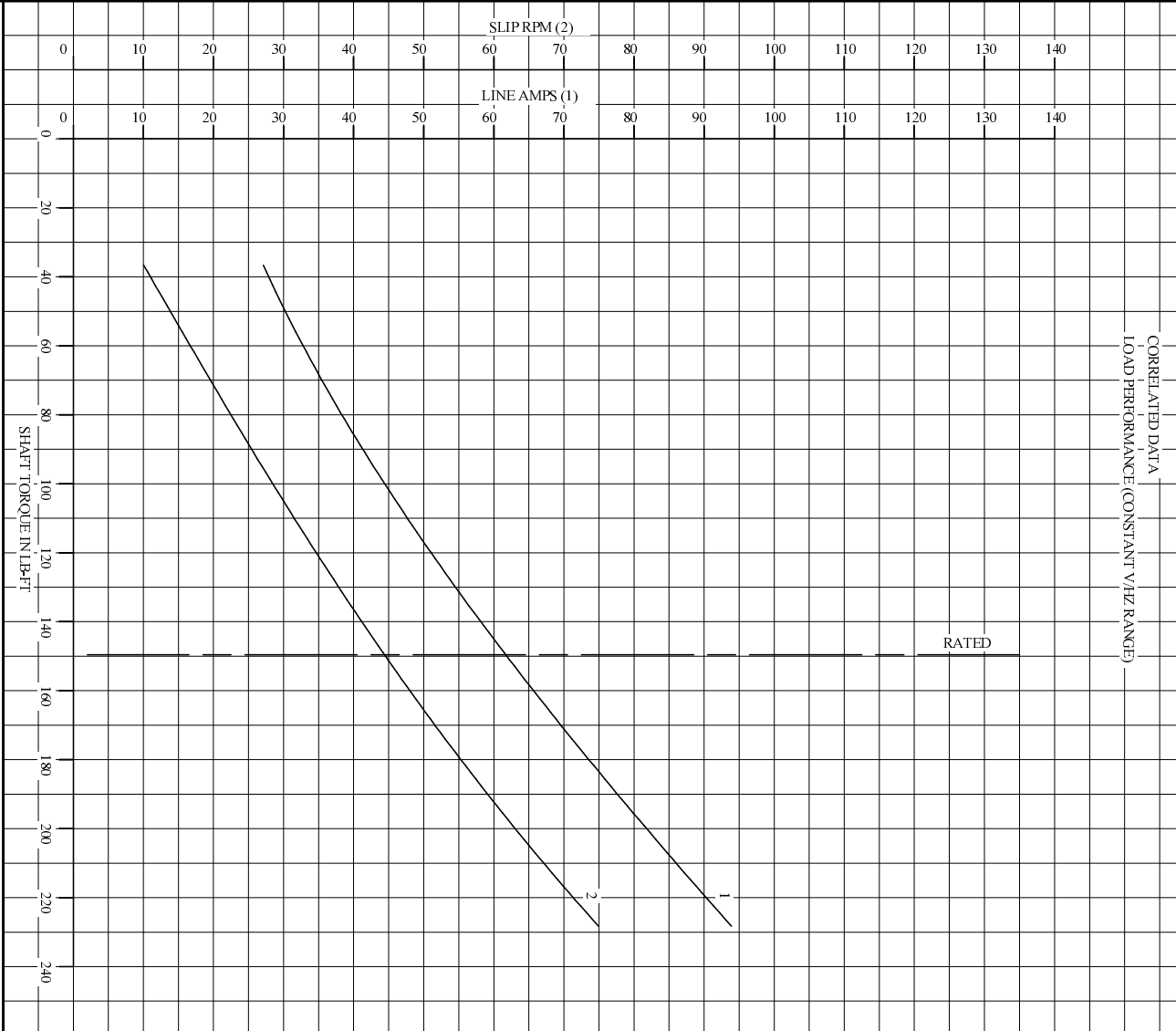


**BALDOR**  
BALDOR • DOUGLASS • RELIANCE

DR. BY M. ORDERS  
CK. BY B. GRANT  
APP. BY T. EVON  
DATE 3/17/00

**A-C MOTOR PERFORMANCE CURVES**  
L1757A  
SH1 OF 2  
ISSUE DATE 3/17/00

REL. S.O.	-	VOLTS	460	ENCLOSURE	DPFV	WYE CONN EQ CKT OHMS PER PHASE
FRAME	I2168	AMPS	62	MAX SAFE RPM	5000	(AT BASE RATING, 25°C)
HP	50	DUTY	CONT	IM (AMPS)	23	R1 .106
BASE SPEED	1760	S.F.	1.0	P.F.@NL/FL	.083/.857	R2 .0797
PHASE/HERTZ	3/60	AMB C/INSUL	40/H	WK <sup>2</sup> (LB-FT <sup>2</sup> )	2.32	X1 .508
						R2 .0797
						X2 .514
						XN 11.8



REMARKS: TYPICAL DATA  
DATA VALID FOR NAMEPLATE SPEED RANGE ONLY

**BALDOR**  
BALDOR • DOUGLASS • RELIANCE

DR. BY	M. ORDERS
CK. BY	B. GRANT
APP. BY	T. EVON
DATE	3/17/00

**A-C MOTOR PERFORMANCE CURVES**

L1757A  
SH20F2  
3/17/00