

BALDOR® • *RELIANCE*

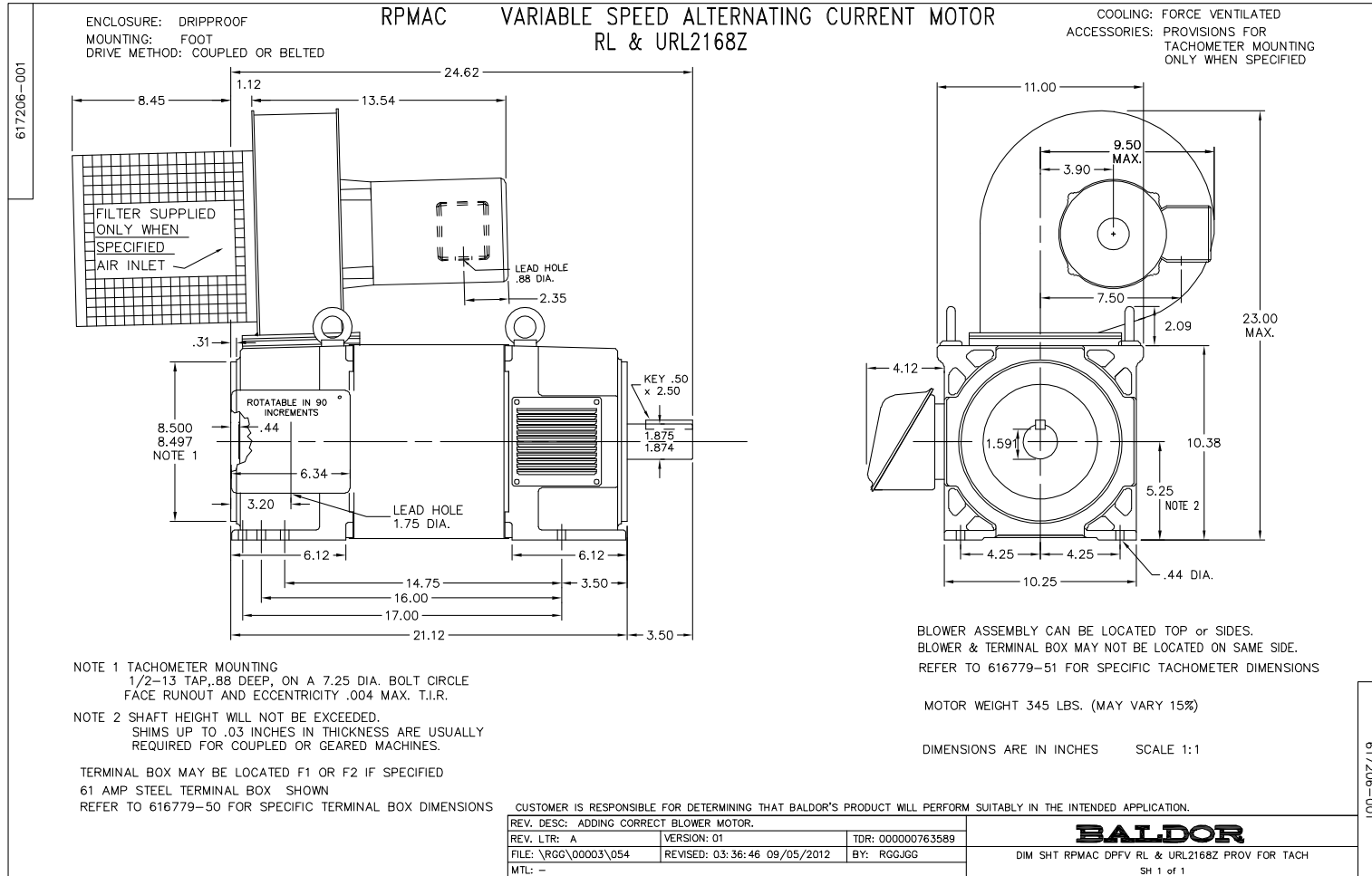
Product Information Packet

IDDRPM21604

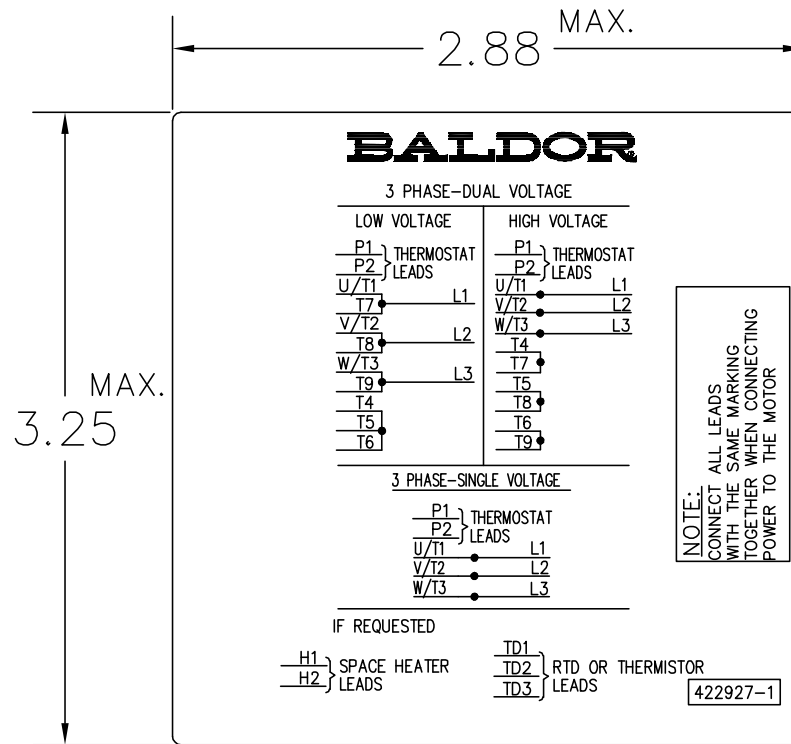
60HP, 1750RPM, 3PH, N/AHZ, 2168, DPG-FV,

Copyright © All product information within this document is subject to Baldor Electric Company copyright © protection, unless otherwise noted.

Part Detail			
Model Number:	IDDRPM21604	Environment:	General Purpose
Voltage:	460	HP:	60
RPM:	1750/2200	Efficiency:	NA
Phase:	3	Frequency:	N/A
Inverter Duty:	Y	Enclosure:	DPG-FV
Frame Group:	210	Frame Size:	RL2168
Features:	RPM AC	Mounting:	
Service Factor:	1	Enclosure Group:	DPG-FV
Weight:	0	Price Symbol:	E2
Speed Range:		Insulation Class:	H
Nema Design:	A	Encl. Enhancement:	
Catalog Page:	M-214,	Dimension Sheet:	617206-1
Connection Diagram:	422927-1	Electric Design:	L1765A
Single HP:	60	Get Notes:	RPM AC
Revision:		Instruction Manual:	B-3682
Application:	Variable Speed-V*S	Epact:	?
Scaled Drawing:		Obsolete:	N
Last Data Source:	RGG,MADD	Bearing Type:	
Electrical Type:		Mounting Pos.:	
Ambient:	40	Duty:	
Amps:		Nominal Eff.:	
Kva Code:		Power Factor:	
Poles:	00	Literature:	



422927-001



NOTE:
DATA TO BE SIZED
SO THAT IT FITS INTO
MATERIAL DECAL
DIMENSIONS. MAKE
LETTERS & NUMBERS
AS LARGE AS POSSIBLE.

MATERIAL: CERAMATIC DGF-P4
PERMA GRIP ADHESIVE
ALL LETTERS, NUMBERS
AND LINES TO BE BLACK
ON GOLD BACKGROUND.

NOTE:
CONNECT ALL LEADS
WITH THE SAME MARKING
TOGETHER WHEN CONNECTING
POWER TO THE MOTOR

422927-1

422927-001

REV. DESC: CHANGE LOGO TO BALDOR		
REV. LTR: A	VERSION: 01	TDR: 000000556744
FILE: \RGG\00000\203	REVISED: 02:51:59 09/02/2010	
MTL: -	BY: RGGWT	

BALDOR

EXTERNAL CONNECTION LABEL
SH 1 of 1

REL. S. O.	-	VOLTS	460	ENCLOSURE	DPFV	WYE CONN EQ CKT OHMS PER. PHASE
FRAME	RL2168	AMPS	74	MAX SAFE RPM	5000	(AT BASE RATING, 25 °C)
HP	60	DUTY	CONT	IM (AMPS)	23	R1 .106 X1 .509
BASE SPEED	1750	S.F.	1.0	P.F. @NL/FL	.083/.869	R2 .0797 X2 .479
PHASE/HERTZ	3/60	AMB °C/INSUL	40/H	WK ² (LB-FT ²)	2.32	XM 12.0


RATED FULL LOAD DATA

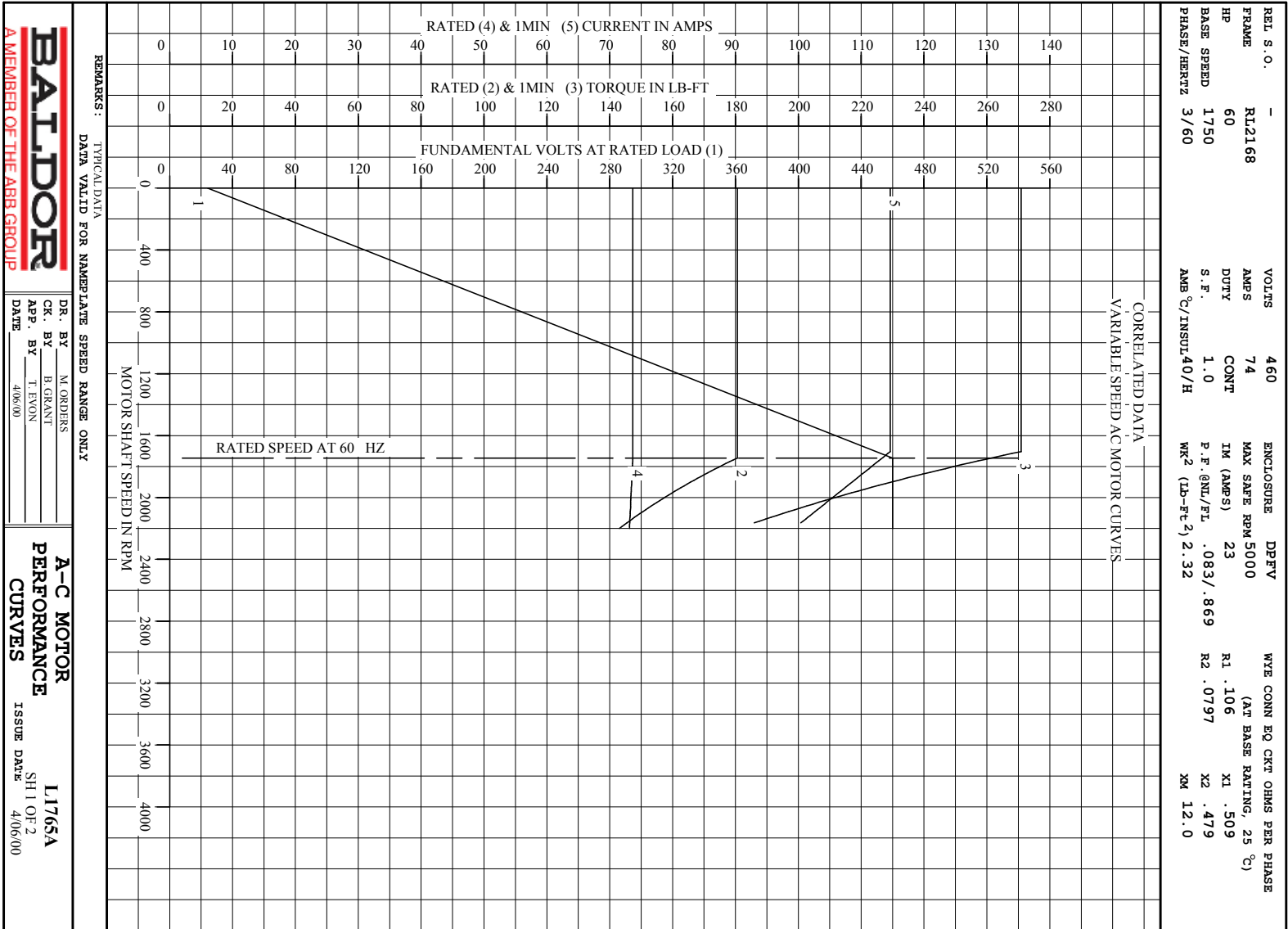
	RPM	HP	TORQUE LB-FT	FUND VOLTS	FREQ-HZ	AMPS
BASE SPEED	1745	60.0	181	460	60	73.7
MAX SPEED	2200	60.0	143	460	75.8	73.1
MIN SPEED	0	0	181	24.1	1.85	73.7

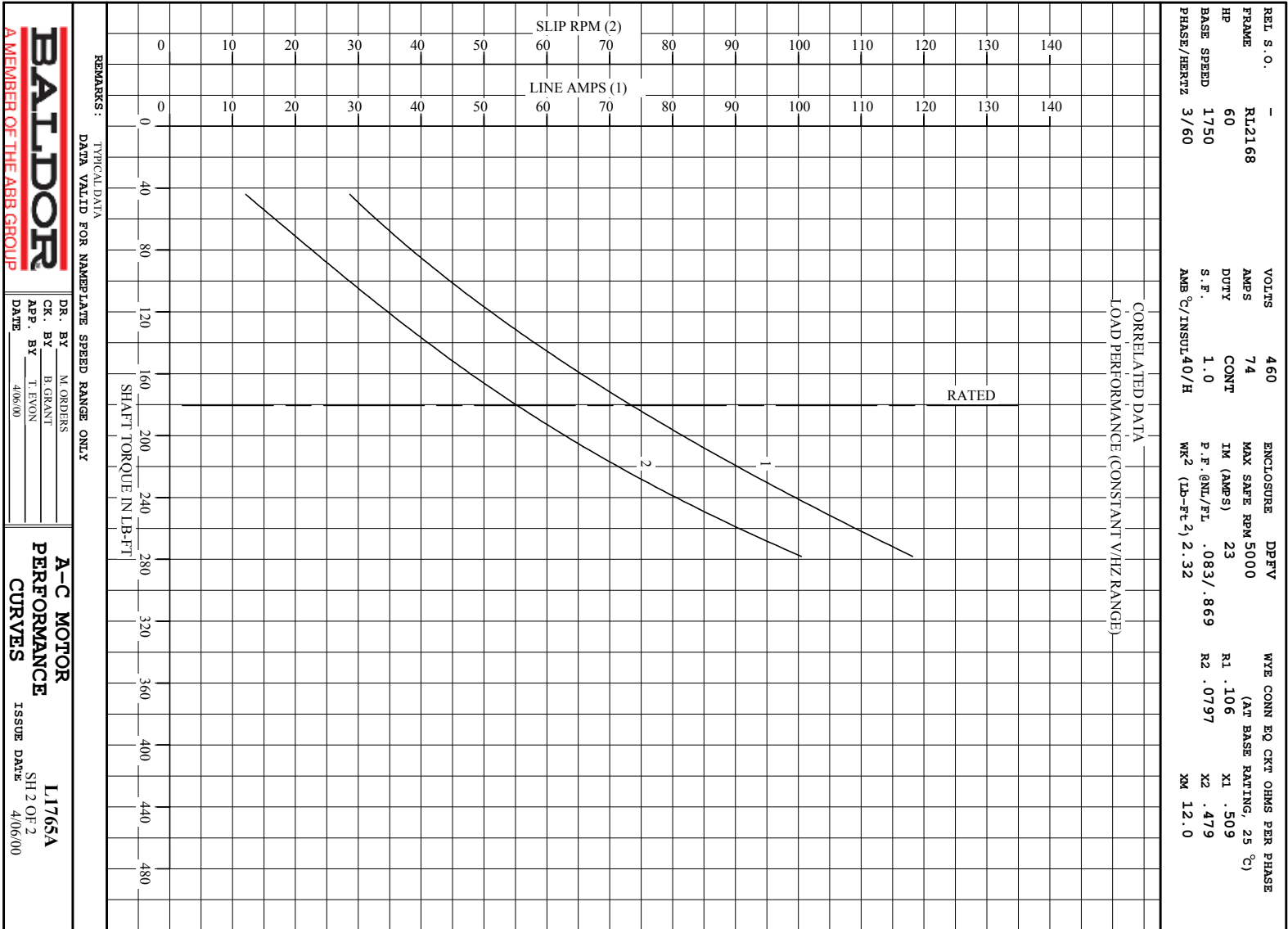
LOAD PERFORMANCE AT BASE SPEED

	RPM	HP	TORQUE LB-FT	FUND VOLTS	FREQ-HZ	AMPS
NO LOAD	1800	0	0	460	60	22.6
1/4	1788	15.0	44	460	60	28.7
1/2	1775	30.1	89	460	60	40.9
3/4	1761	45.0	134	460	60	56.1
FULL LOAD	1745	60.0	181	460	60	73.7
O/L	1703	87.9	271	460	60	115

REMARKS: TYPICAL DATA
CORRELATED DATA

 <p>A MEMBER OF THE ABB GROUP</p>	DR. BY _____ M. ORDERS	<p>A-C MOTOR PERFORMANCE DATA</p> <p>ISSUE DATE 4/06/00</p>
	CK. BY _____ B. GRANT	
	APP. BY _____ T. EVON	
DATE 4/06/00		





BALDOR
A MEMBER OF THE ABB GROUP

DR. BY M. ORDERS
CK. BY B. GRANT
APP. BY T. EVON
DATE 4/06/00

A-C MOTOR PERFORMANCE CURVES
L1765A
SH 2 OF 2
ISSUE DATE 4/06/00