

# **BALDOR® • RELIANCE**

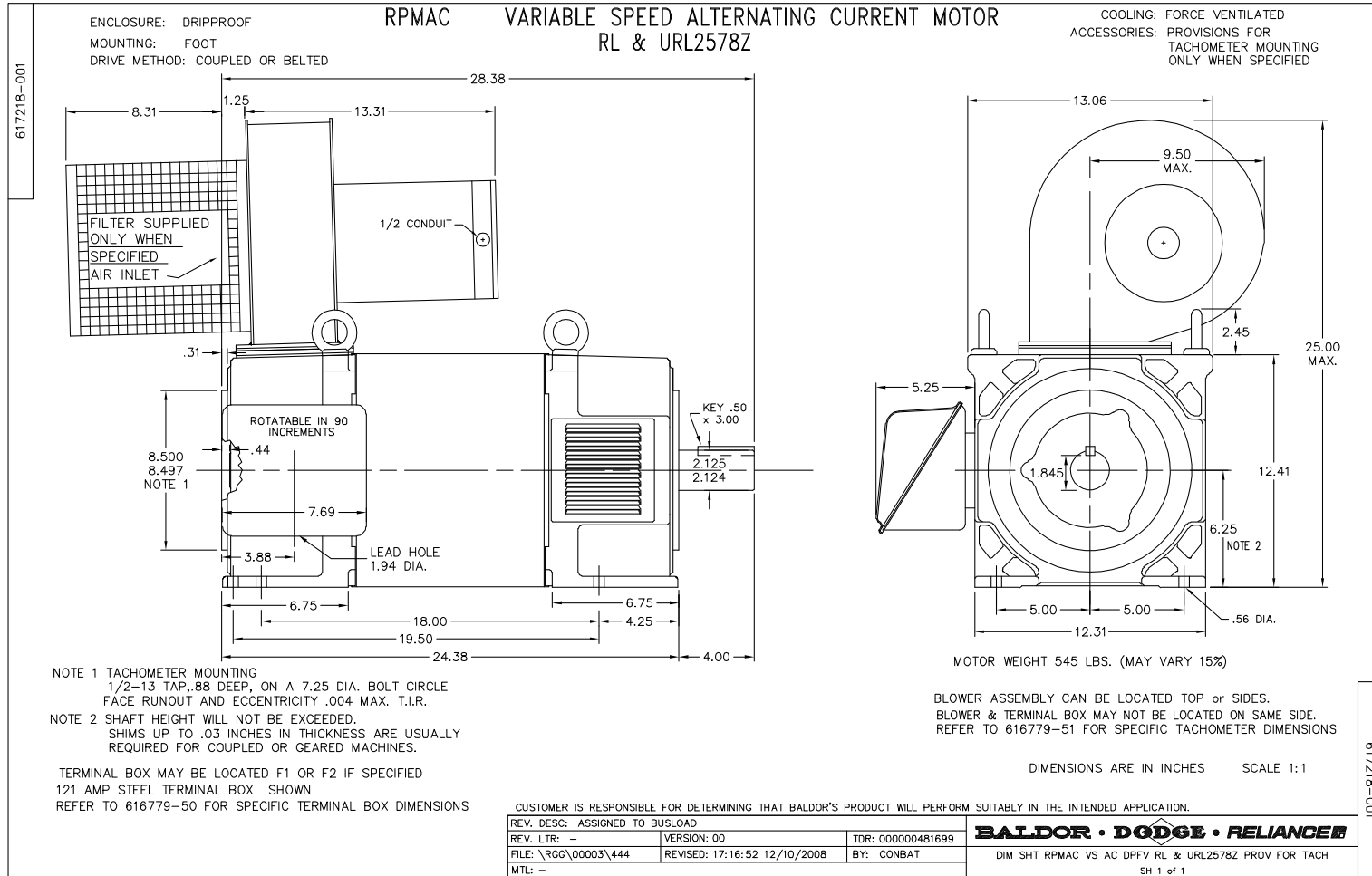
## **Product Information Packet**

# **IDDRPM251004**

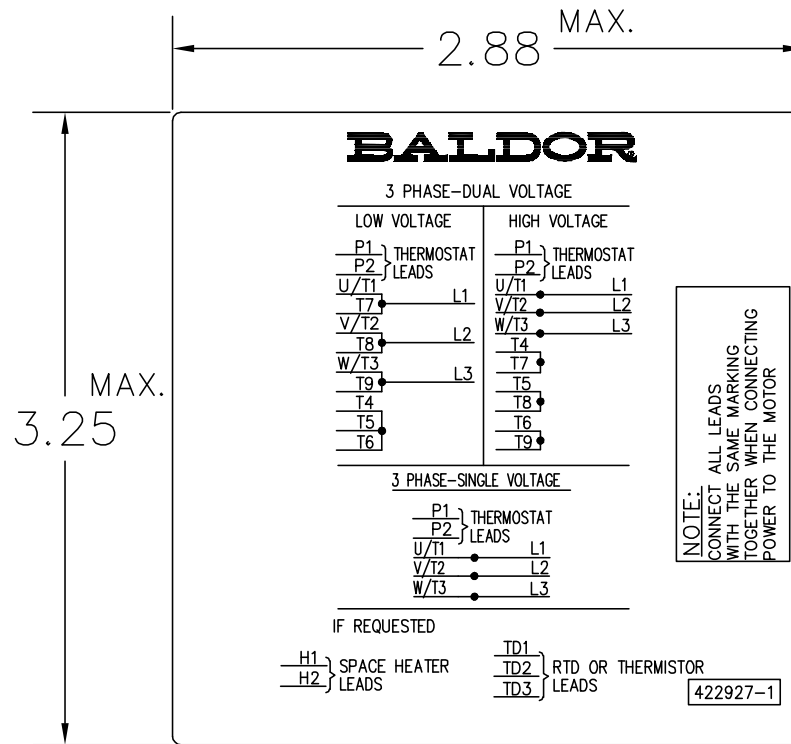
**100HP, 1750RPM, 3PH, N/AHZ, 2578, DPG-FV,**

Copyright © All product information within this document is subject to Baldor Electric Company copyright © protection, unless otherwise noted.

Part Detail			
Model Number:	IDDRPM251004	Environment:	General Purpose
Voltage:	460	HP:	100
RPM:	1750/2000	Efficiency:	NA
Phase:	3	Frequency:	N/A
Inverter Duty:	Y	Enclosure:	DPG-FV
Frame Group:	250	Frame Size:	RL2578
Features:	RPM AC	Mounting:	
Service Factor:	1	Enclosure Group:	DPG-FV
Weight:	0	Price Symbol:	E2
Speed Range:		Insulation Class:	H
Nema Design:	A	Encl. Enhancement:	
Catalog Page:	M-215,	Dimension Sheet:	617218-1
Connection Diagram:	422927-1	Electric Design:	L1821A
Single HP:	100	Get Notes:	RPM AC
Revision:		Instruction Manual:	B-3682
Application:	Variable Speed-V*S	Epact:	Y
Scaled Drawing:		Obsolete:	N
Last Data Source:	RGG,MADD	Bearing Type:	
Electrical Type:		Mounting Pos.:	
Ambient:	40	Duty:	
Amps:		Nominal Eff.:	
Kva Code:		Power Factor:	
Poles:	00	Literature:	



422927-001



NOTE:  
DATA TO BE SIZED  
SO THAT IT FITS INTO  
MATERIAL DECAL  
DIMENSIONS. MAKE  
LETTERS & NUMBERS  
AS LARGE AS POSSIBLE.

MATERIAL: CERAMATIC DGF-P4  
PERMA GRIP ADHESIVE

ALL LETTERS, NUMBERS  
AND LINES TO BE BLACK  
ON GOLD BACKGROUND.

422927-1

422927-001

REV. DESC: CHANGE LOGO TO BALDOR		
REV. LTR: A	VERSION: 01	TDR: 000000556744
FILE: \RGG\00000\203	REVISED: 02:51:59 09/02/2010	
MTL: -	BY: RGGWT	

**BALDOR**

EXTERNAL CONNECTION LABEL

SH 1 of 1

REL. S.O.	-	VOLTS	460	ENCLOSURE	DPFV	WYE CONN EQ CKT OHMS PER PHASE
FRAME	12578	AMPS	119	MAX SAFE RPM	5000	(AT BASE RATING, 25 °C)
HP	100	DUTY	CONT	IM (AMPS)	33	R1 .0615 X1 .302
BASE SPEED	1750	S.F.	1.0	P.F.@NL/FL	.060/.884	R2 .0458 X2 .282
PHASE/HERTZ	3/60	AMB °C/INSUL	40/H	WK <sup>2</sup> (LB-FT <sup>2</sup> )	4.2	XM 8.29

**RATED FULL LOAD DATA**


	RPM	HP	TORQUE LB-FT	FUND VOLTS	FREQ-HZ	AMPS
BASE SPEED	1748	100	300	460	60	119
MAX SPEED	1995	100	263	460	68.5	118
MIN SPEED	0	0	0	21.0	1.73	119

**LOAD PERFORMANCE AT BASE SPEED**

	RPM	HP	TORQUE LB-FT	FUND VOLTS	FREQ-HZ	AMPS
NO LOAD	1800	0	0	460	60	32.2
1/4	1789	25.0	73	460	60	43.3
1/2	1776	50.1	148	460	60	64.2
3/4	1763	75.0	223	460	60	89.7
FULL LOAD	1748	100	300	460	60	119
O/L	1711	147	451	460	60	184

BLOWER DATA	VOLTS	PH/HZ	FL AMPS	LR AMPS	FRAME	CFM

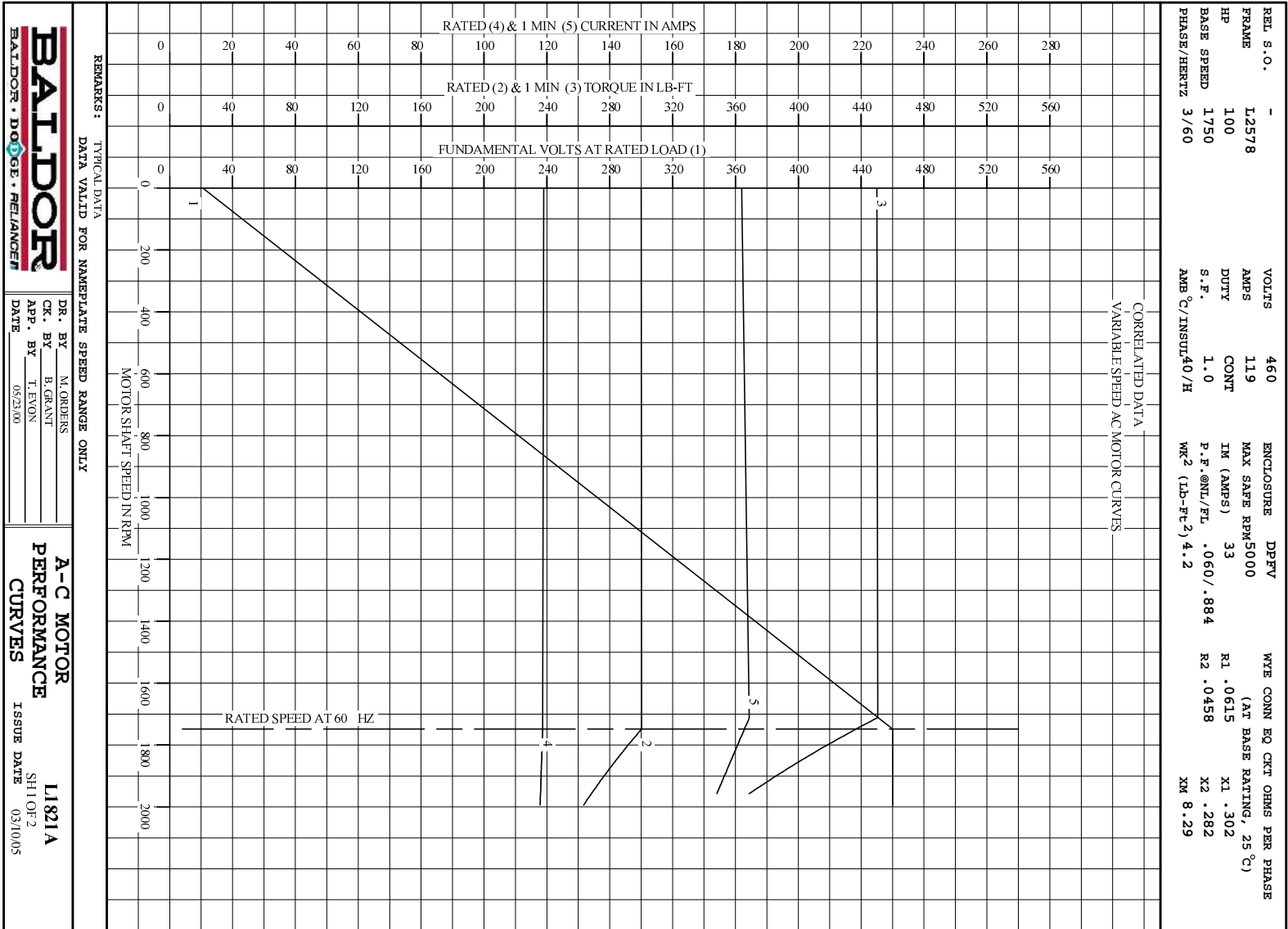
REMARKS: TYPICAL DATA  
CORRELATED DATA

	DR. BY	M. ORDERS	<b>A-C MOTOR PERFORMANCE DATA</b>
	CK. BY	B. GRANT	
	APP. BY	T. EVON	
	DATE	05/23/00	

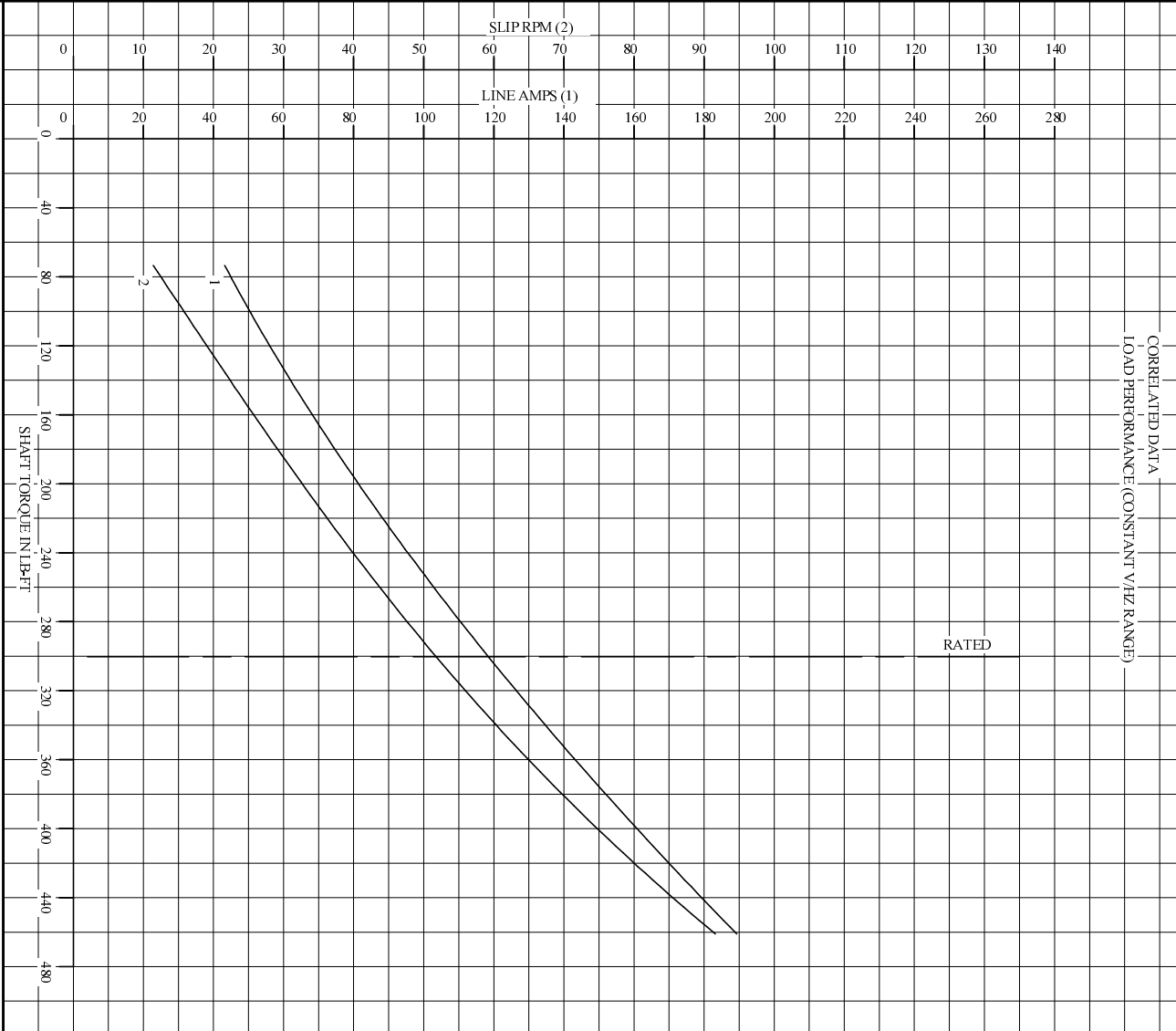
C/R 393520

**A-C MOTOR  
PERFORMANCE  
DATA**  
L1821A  
ISSUE DATE 03/10/05

Printed on 12/11/07 17:27 @ usmgshengden



REL S.O.	-	VOLTS	460	ENCLOSURE	DPFV	WYE CONN EQ CKT OHMS PER PHASE
FRAME	I2578	AMPS	119	MAX SAFE RPM	5000	(AT BASE RATING, 25°C)
HP	100	DUTY	CONT	IM (AMPS)	33	X1 .302
BASE SPEED	1750	S.F.	1.0	P.F.@NL/FL	.060/.884	R2 .0458 X2 .282
PHASE/HERTZ	3/60	AMB C/INSUL	40/H	WK <sup>2</sup> (Lb-Ft <sup>2</sup> )	4.2	XN 8.29



REMARKS: TYPICAL DATA  
DATA VALID FOR NAMEPLATE SPEED RANGE ONLY

<b>BALDOR</b>	DR. BY	M. ORDERS
<b>REL IANCE</b>	CK. BY	B. GRANT
<b>PERFORMANCE</b>	APP. BY	T. EVON
<b>CURVES</b>	DATE	05/23/00

**A-C MOTOR**  
L1821A  
SH20F2  
ISSUE DATE 03/10/05

C/R 393520