

BALDOR® • *RELIANCE*

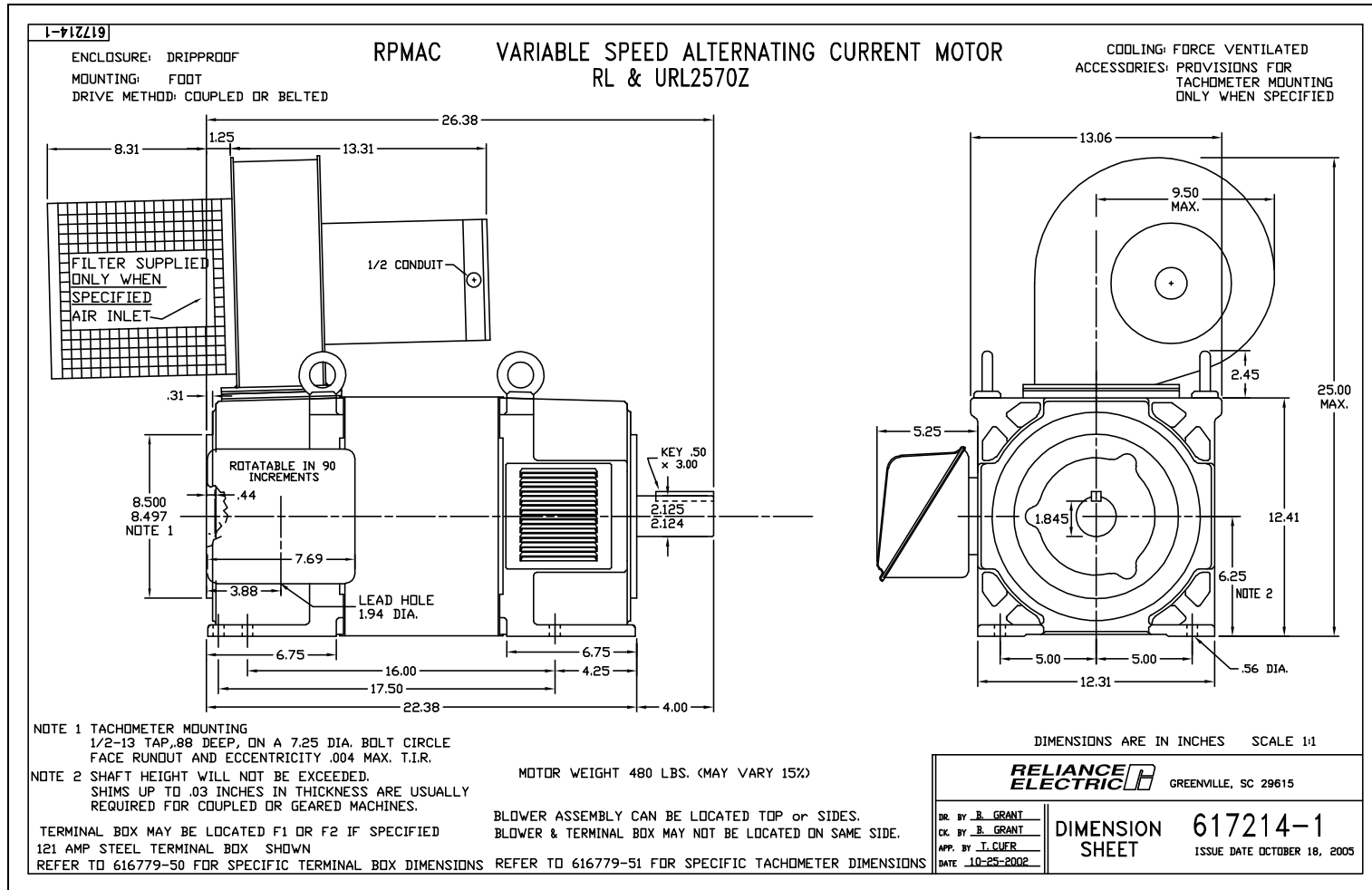
Product Information Packet

IDDRPM25506

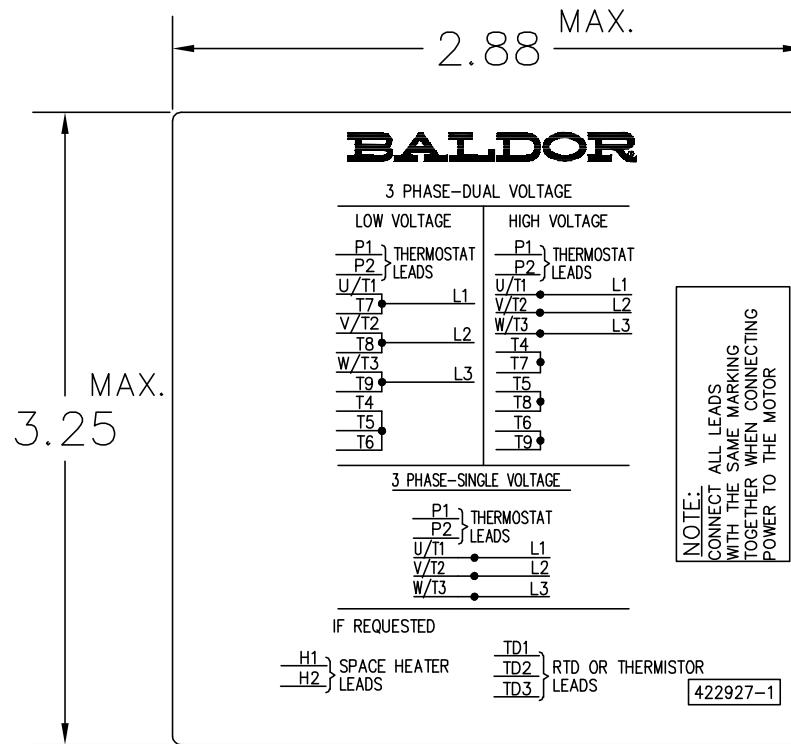
50HP, 1140RPM, 3PH, N/AHZ, 2570, DPG-FV,

Copyright © All product information within this document is subject to Baldor Electric Company copyright © protection, unless otherwise noted.

Part Detail			
Model Number:	IDDRPM25506	Environment:	General Purpose
Voltage:	460	HP:	50
RPM:	1140/1300	Efficiency:	NA
Phase:	3	Frequency:	N/A
Inverter Duty:	Y	Enclosure:	DPG-FV
Frame Group:	250	Frame Size:	RL2570
Features:	RPM AC	Mounting:	
Service Factor:	1	Enclosure Group:	DPG-FV
Weight:	0	Price Symbol:	E2
Speed Range:		Insulation Class:	H
Nema Design:	A	Encl. Enhancement:	
Catalog Page:	M-214,	Dimension Sheet:	617214-1
Connection Diagram:	422927-1	Electric Design:	L0191A
Single HP:	50	Get Notes:	RPM AC
Revision:		Instruction Manual:	B-3682
Application:	Variable Speed-V*S	Epact:	Y
Scaled Drawing:		Obsolete:	N
Last Data Source:	RGG,MADD	Bearing Type:	
Electrical Type:		Mounting Pos.:	
Ambient:	40	Duty:	
Amps:		Nominal Eff.:	
Kva Code:		Power Factor:	
Poles:	00	Literature:	



422927-001



NOTE:
DATA TO BE SIZED SO THAT IT FITS INTO MATERIAL DECAL DIMENSIONS. MAKE LETTERS & NUMBERS AS LARGE AS POSSIBLE.

MATERIAL: CERAMATIC DGF-P4
PERMA GRIP ADHESIVE
ALL LETTERS, NUMBERS AND LINES TO BE BLACK ON GOLD BACKGROUND.

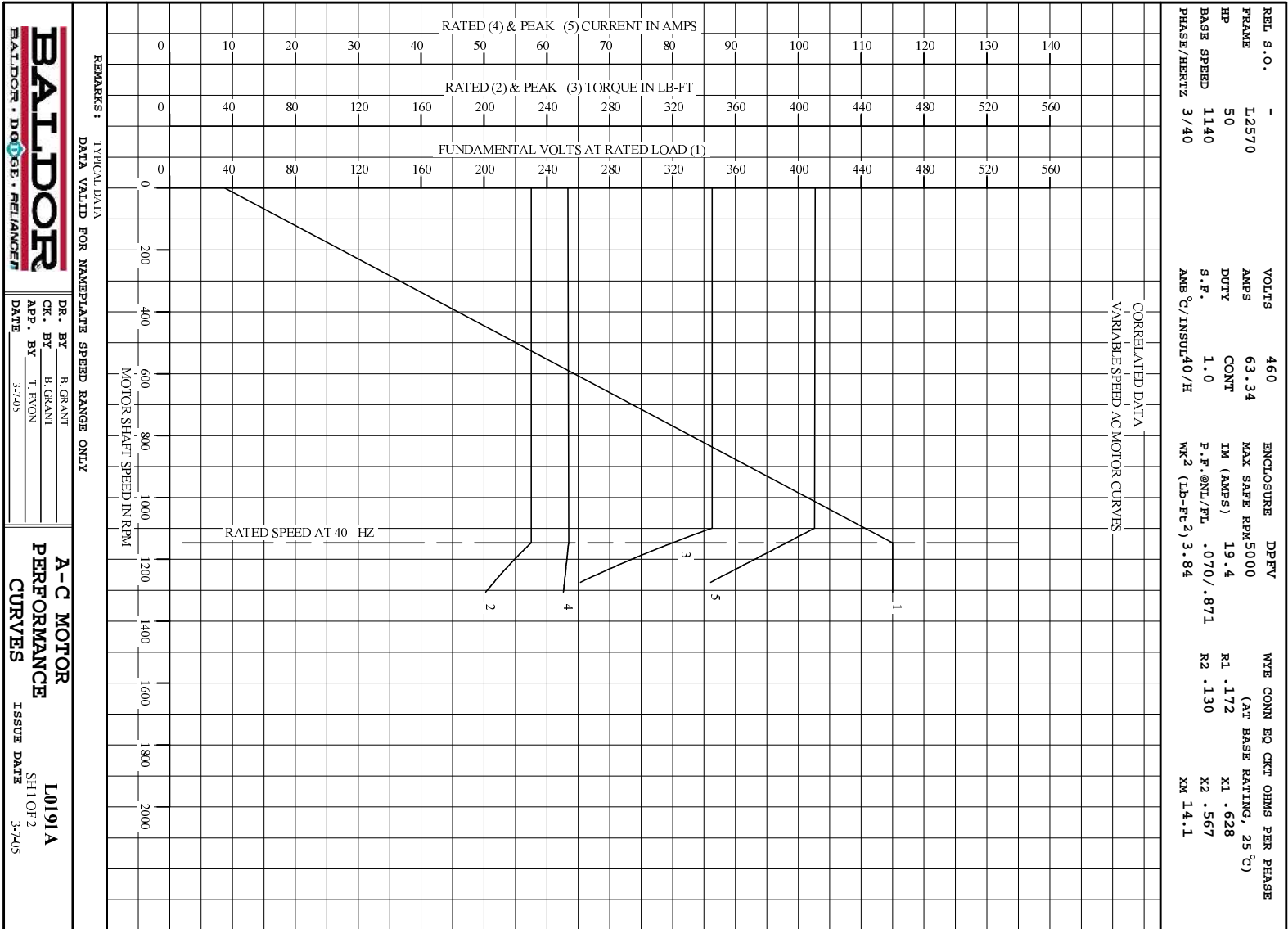
422927-1

422927-001

REV. DESC: CHANGE LOGO TO BALDOR		
REV. LTR: A	VERSION: 01	TDR: 000000556744
FILE: \RGG\00000\203	REVISED: 02:51:59 09/02/2010	
MTL: -	BY: RGGWT	

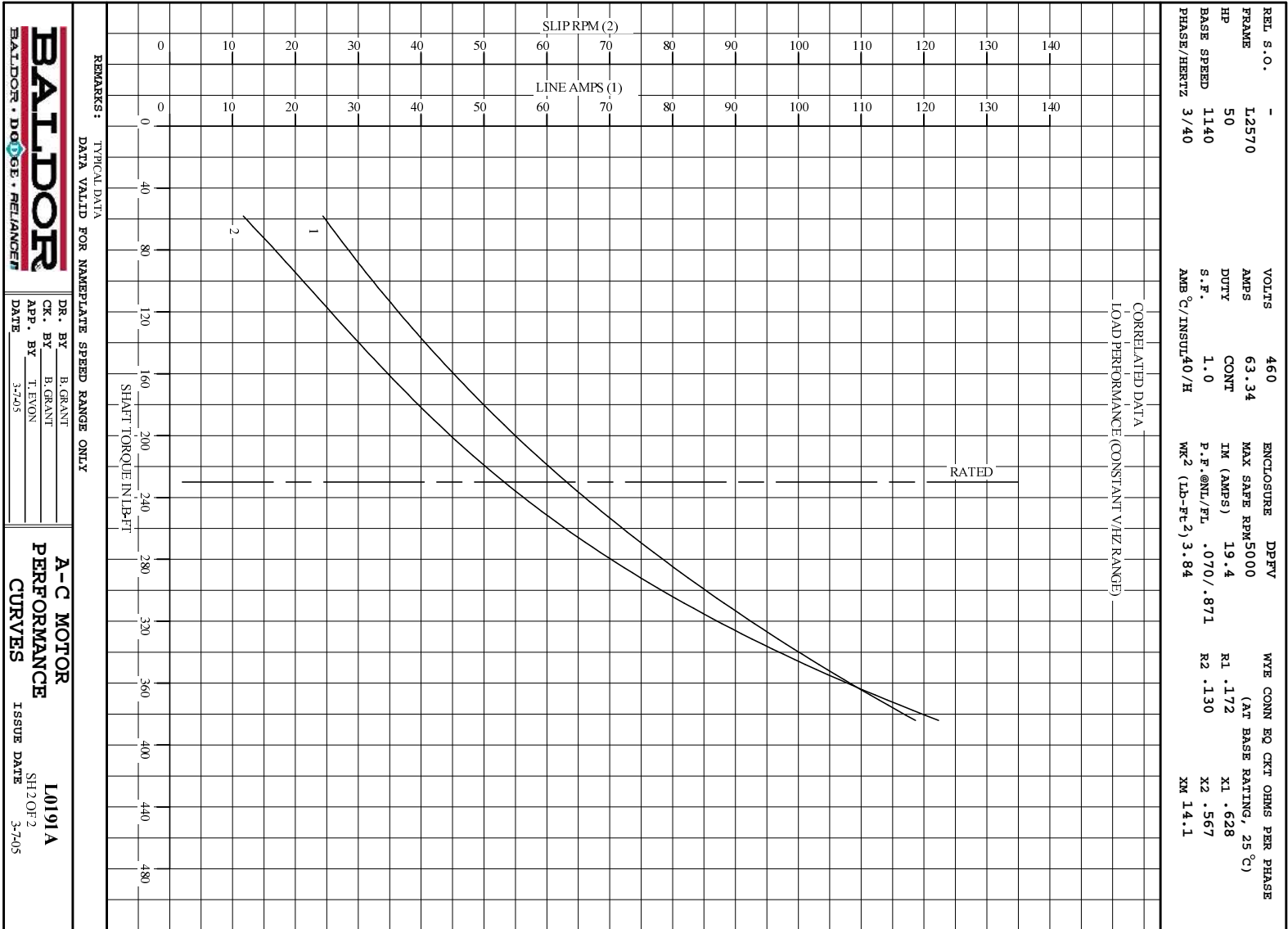
BALDOR

EXTERNAL CONNECTION LABEL
SH 1 of 1



C/R 383520

1



BALDOR
BALDOR • DOUG • RELIANCE

DR. BY B. GRANT
CK. BY B. GRANT
APP. BY T. EVON
DATE 3-7-05

A-C MOTOR
PERFORMANCE
CURVES

ISSUE DATE 3-7-05
L0191A
SH20F2

C/R 383520

REL. S.O.	-	VOLTS	460	ENCLOSURE	DPFV	WYE CONN EQ CKT OHMS PER PHASE
FRAME	12570	AMPS	63.34	MAX SAFE RPM	5000	(AT BASE RATING, 25 °C)
HP	50	DUTY	CONT	IM (AMPS)	19.4	R1 .172 X1 .628
BASE SPEED	1140	S.F.	1.0	P.F.@NL/FL	.070/.871	R2 .130 X2 .567
PHASE/HERTZ	3/40	AMB °C/INSUL	40/H	WK ² (LB-FT ²)	3.84	XM 14.1

RATED FULL LOAD DATA

	RPM	HP	TORQUE LB-FT	FUND VOLTS	FREQ-HZ	AMPS
BASE SPEED	1146	50.2	230	460	40	63.5
MAX SPEED	1306	50.0	201	460	45.6	62.6
MIN SPEED	0	0	0	35.0	1.79	63.3

LOAD PERFORMANCE AT BASE SPEED

	RPM	HP	TORQUE LB-FT	FUND VOLTS	FREQ-HZ	AMPS
NO LOAD	1200	0	0	460	40	19.2
1/4	1188	13.1	58	460	40	24.5
1/2	1175	26.3	117	460	40	35.5
3/4	1161	39.4	178	460	40	49.7
FULL LOAD	1146	50.2	230	460	40	63.5
O/L	1099	72.3	345	460	40	103

BLOWER DATA	VOLTS	PH/HZ	FL AMPS	LR AMPS	FRAME	CFM

REMARKS: TYPICAL DATA
CORRELATED DATA

	DR. BY	B. GRANT	A-C MOTOR PERFORMANCE DATA
	CK. BY	B. GRANT	
	APP. BY	T. EVON	
	DATE	3-7-05	

C/R 383520

ISSUE DATE 3-7-05

Printed on 11/28/07 11:06 @ usmgshengden