

BALDOR® • RELIANCE

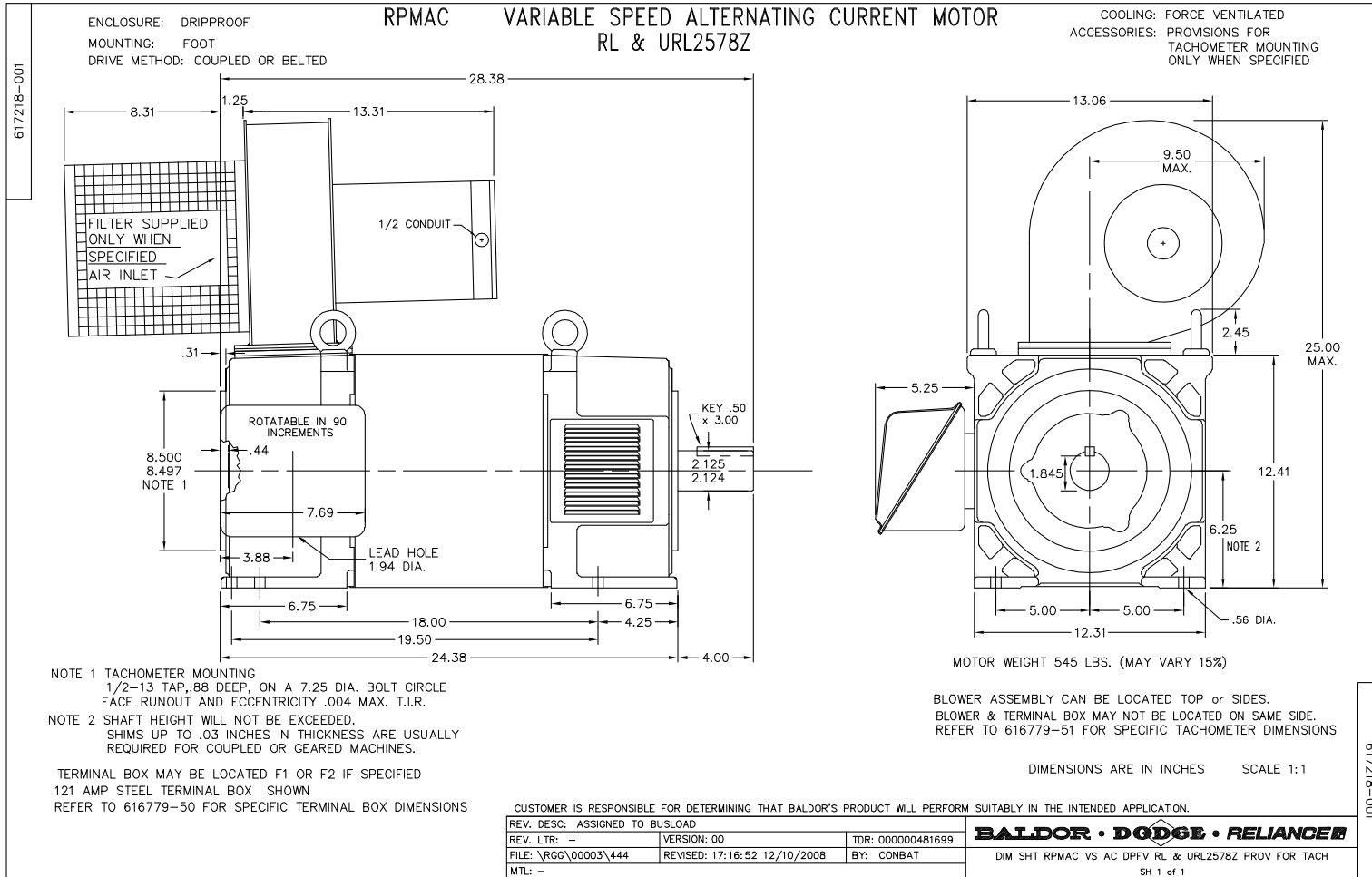
Product Information Packet

IDDRPM25606

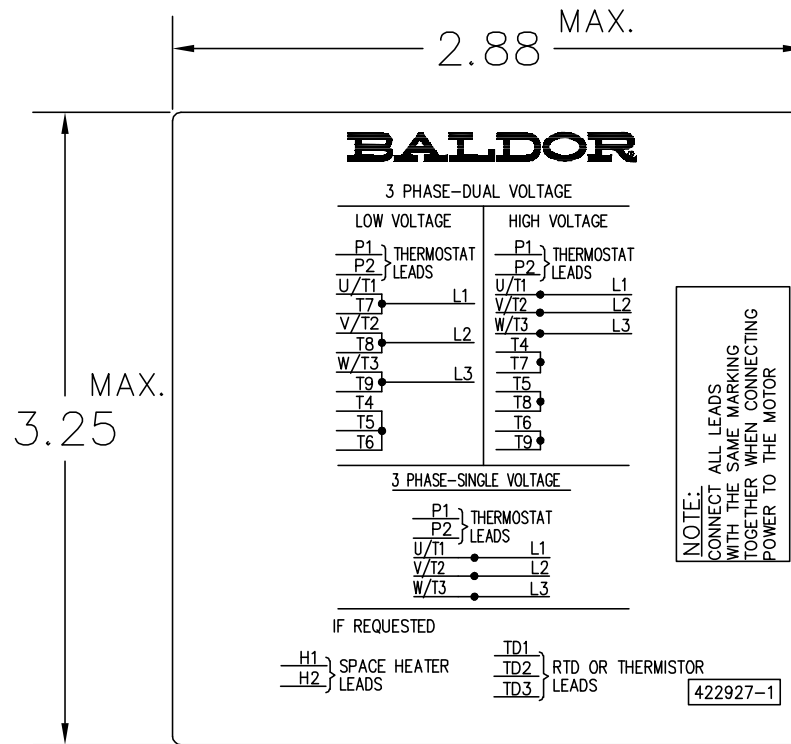
60HP, 1150RPM, 3PH, N/AHZ, 2578, DPG-FV,

Copyright © All product information within this document is subject to Baldor Electric Company copyright © protection, unless otherwise noted.

Part Detail			
Model Number:	IDDRPM25606	Environment:	General Purpose
Voltage:	460	HP:	60
RPM:	1150/1300	Efficiency:	NA
Phase:	3	Frequency:	N/A
Inverter Duty:	Y	Enclosure:	DPG-FV
Frame Group:	250	Frame Size:	RL2578
Features:	RPM AC	Mounting:	
Service Factor:	1	Enclosure Group:	DPG-FV
Weight:	0	Price Symbol:	E2
Speed Range:		Insulation Class:	H
Nema Design:	A	Encl. Enhancement:	
Catalog Page:	M-214,	Dimension Sheet:	617218-1
Connection Diagram:	422927-1	Electric Design:	L1866A
Single HP:	60	Get Notes:	RPM AC
Revision:		Instruction Manual:	B-3682
Application:	Variable Speed-V*S	Epact:	Y
Scaled Drawing:		Obsolete:	N
Last Data Source:	RGG,MADD	Bearing Type:	
Electrical Type:		Mounting Pos.:	
Ambient:	40	Duty:	
Amps:		Nominal Eff.:	
Kva Code:		Power Factor:	
Poles:	00	Literature:	



422927-001



NOTE:
DATA TO BE SIZED
SO THAT IT FITS INTO
MATERIAL DECAL
DIMENSIONS. MAKE
LETTERS & NUMBERS
AS LARGE AS POSSIBLE.

MATERIAL: CERAMATIC DGF-P4
PERMA GRIP ADHESIVE

ALL LETTERS, NUMBERS
AND LINES TO BE BLACK
ON GOLD BACKGROUND.

NOTE:
CONNECT ALL LEADS
WITH THE SAME MARKING
TOGETHER WHEN CONNECTING
POWER TO THE MOTOR

422927-001

REV. DESC: CHANGE LOGO TO BALDOR		
REV. LTR: A	VERSION: 01	TDR: 000000556744
FILE: \RGG\00000\203	REVISED: 02:51:59 09/02/2010	
MTL: -	BY: RGGWT	

BALDOR

EXTERNAL CONNECTION LABEL
SH 1 of 1

REL. S.O.	-	VOLTS	460	ENCLOSURE	DPFV	WYE CONN EQ CKT OHMS PER PHASE
FRAME	12578	AMPS	73	MAX SAFE RPM	5000	(AT BASE RATING, 25 °C)
HP	60	DUTY	CONT	IM (AMPS)	22	R1 .139 X1 .453
BASE SPEED	1150	S.F.	1.0	P.F.@NL/FL	.066/.887	R2 .103 X2 .438
PHASE/HERTZ	3/40	AMB °C/INSUL	40/H	WK ² (LB-FT ²)	4.2	XM 12.5

RATED FULL LOAD DATA

	RPM	HP	TORQUE LB-FT	FUND VOLTS	FREQ-HZ	AMPS
BASE SPEED	1152	60.0	274	460	40	73.2
MAX SPEED	1295	60.0	243	460	45	72.5
MIN SPEED	0	0	0	31.0	1.61	73.0

LOAD PERFORMANCE AT BASE SPEED

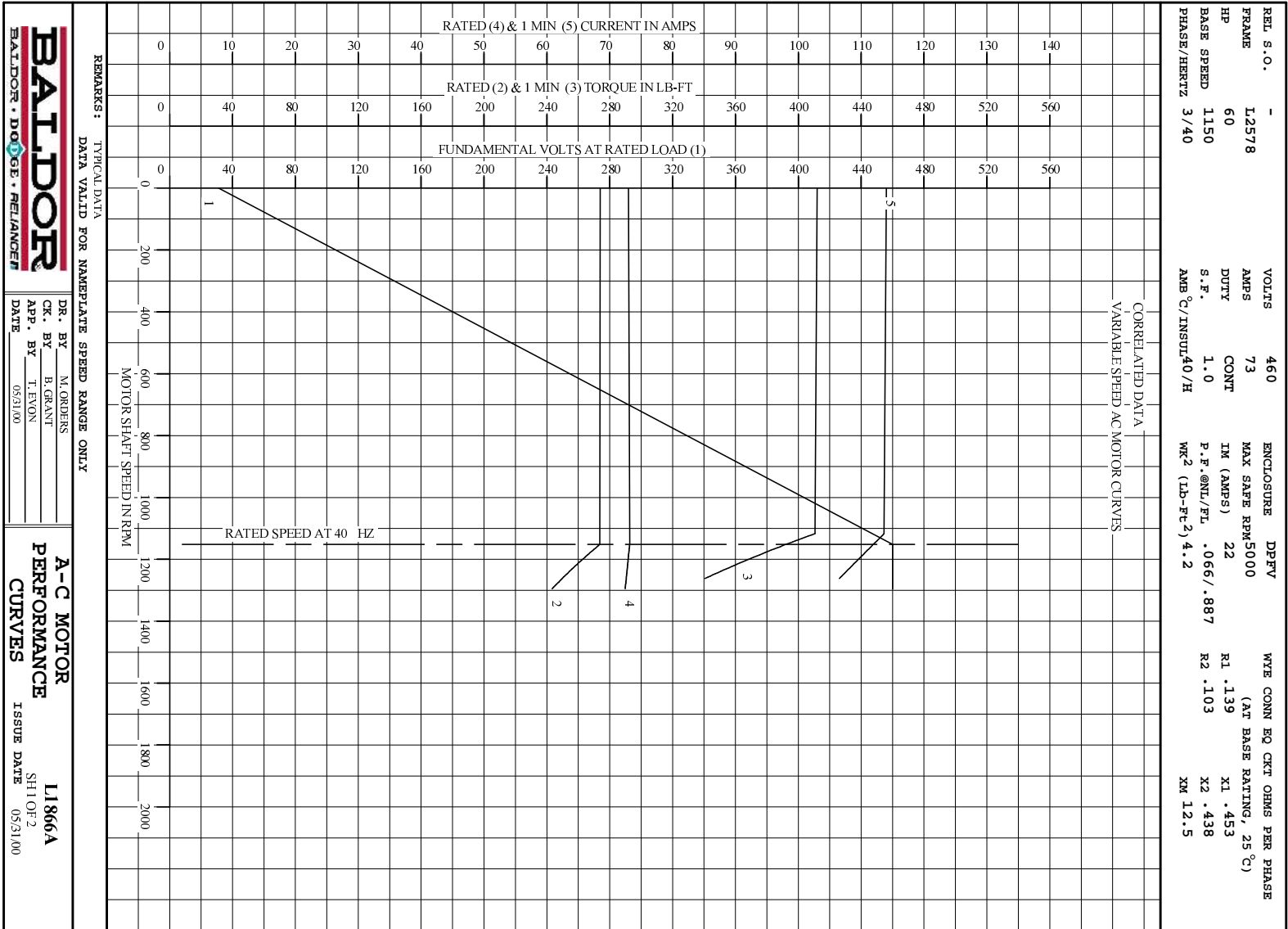
	RPM	HP	TORQUE LB-FT	FUND VOLTS	FREQ-HZ	AMPS
NO LOAD	1200	0	0	460	40	21.5
1/4	1190	15.0	66	460	40	27.5
1/2	1178	30.0	134	460	40	39.9
3/4	1166	45.0	203	460	40	55.3
FULL LOAD	1152	60.0	274	460	40	73.2
O/L	1117	87.3	411	460	40	114

BLOWER DATA	VOLTS	PH/HZ	FL AMPS	LR AMPS	FRAME	CFM

REMARKS: TYPICAL DATA
CORRELATED DATA

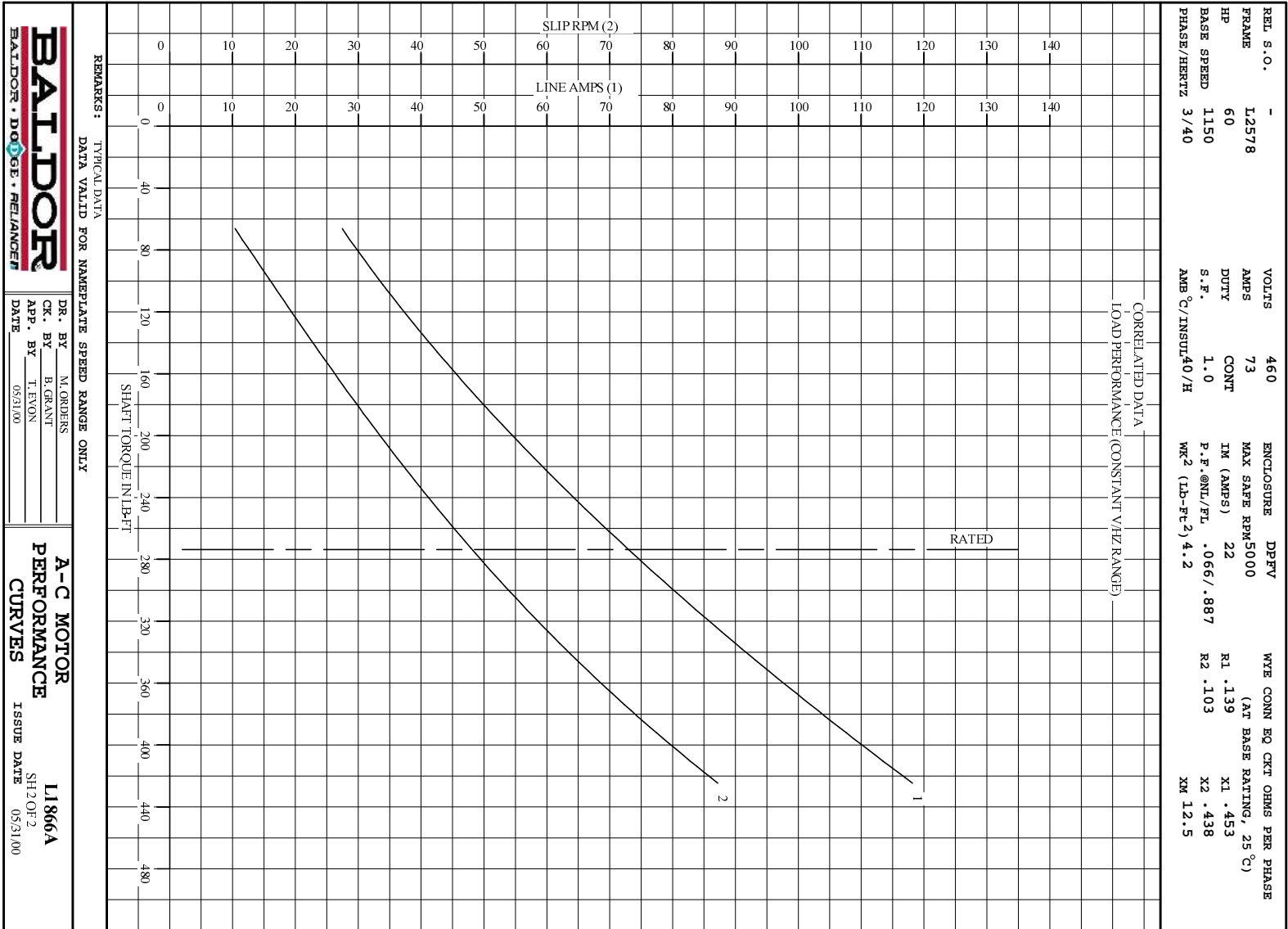
	DR. BY	M. ORDERS	A-C MOTOR PERFORMANCE DATA
	CK. BY	B. GRANT	
	APP. BY	T. EVON	
	DATE	05/31/00	

ISSUE DATE 05/31/00



DR. BY M. ORDERS
 CK. BY B. GRANT
 APP. BY T. EVON
 DATE 05/31/00

A-C MOTOR PERFORMANCE CURVES
 L1866A
 SH1 OF 2
 ISSUE DATE 05/31/00



BALDOR
BALDOR • DOUG • RELIANCE

DR. BY M. ORDERS
CK. BY B. GRANT
APP. BY T. EVON
DATE 05/31/00

A-C MOTOR
PERFORMANCE
CURVES
L1866A
SH20F2
ISSUE DATE 05/31/00