

BALDOR® • ***RELIANCE***

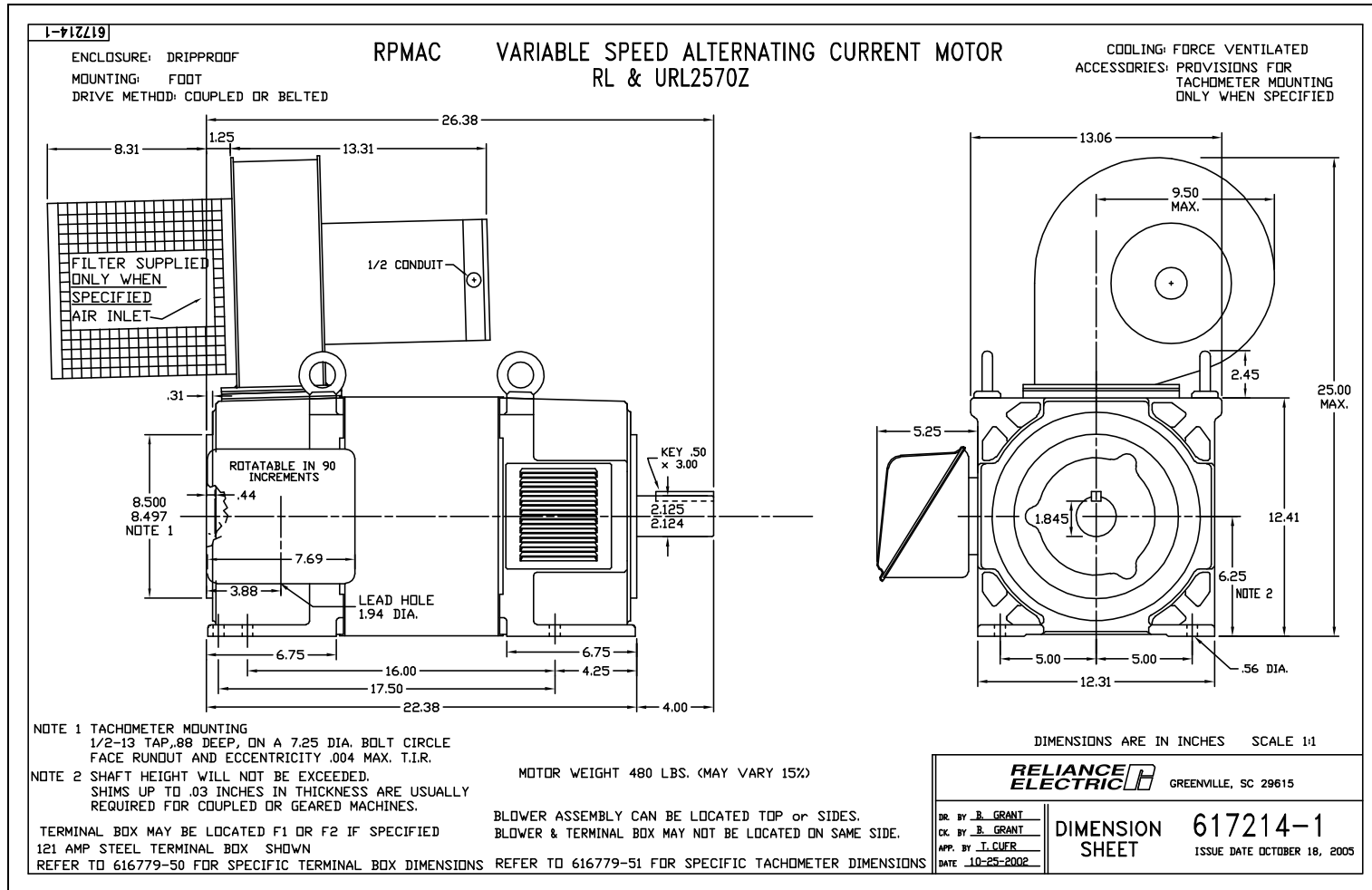
Product Information Packet

IDDRPM25754

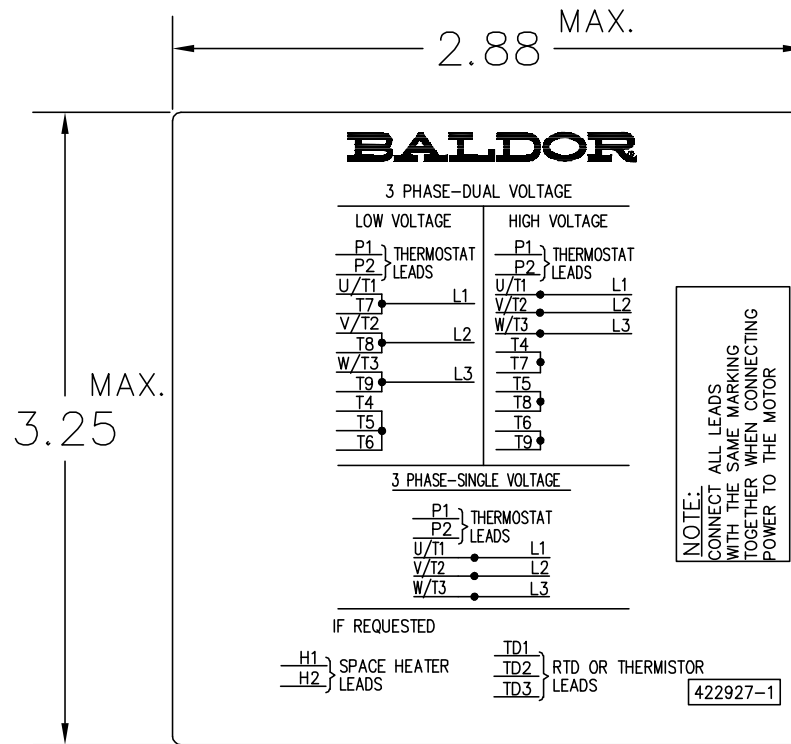
75HP,1740RPM,3PH,N/AHZ,2570,DPG-FV,

Copyright © All product information within this document is subject to Baldor Electric Company copyright © protection, unless otherwise noted.

Part Detail			
Model Number:	IDDRPM25754	Environment:	General Purpose
Voltage:	460	HP:	75
RPM:	1740/2000	Efficiency:	NA
Phase:	3	Frequency:	N/A
Inverter Duty:	Y	Enclosure:	DPG-FV
Frame Group:	250	Frame Size:	RL2570
Features:	RPM AC	Mounting:	
Service Factor:	1	Enclosure Group:	DPG-FV
Weight:	0	Price Symbol:	E2
Speed Range:		Insulation Class:	H
Nema Design:	A	Encl. Enhancement:	
Catalog Page:	M-215,	Dimension Sheet:	617214-1
Connection Diagram:	422927-1	Electric Design:	L0122A
Single HP:	75	Get Notes:	RPM AC
Revision:		Instruction Manual:	B-3682
Application:	Variable Speed-V*S	Epact:	Y
Scaled Drawing:		Obsolete:	N
Last Data Source:	RGG,MADD	Bearing Type:	
Electrical Type:		Mounting Pos.:	
Ambient:	40	Duty:	
Amps:		Nominal Eff.:	
Kva Code:		Power Factor:	
Poles:	00	Literature:	



422927-001



NOTE:
DATA TO BE SIZED
SO THAT IT FITS INTO
MATERIAL DECAL
DIMENSIONS. MAKE
LETTERS & NUMBERS
AS LARGE AS POSSIBLE.

MATERIAL: CERAMATIC DGF-P4
PERMA GRIP ADHESIVE
ALL LETTERS, NUMBERS
AND LINES TO BE BLACK
ON GOLD BACKGROUND.

NOTE:
CONNECT ALL LEADS
WITH THE SAME MARKING
TOGETHER WHEN CONNECTING
POWER TO THE MOTOR

422927-1

422927-001

REV. DESC: CHANGE LOGO TO BALDOR		
REV. LTR: A	VERSION: 01	TDR: 000000556744
FILE: \RGG\00000\203	REVISED: 02:51:59 09/02/2010	
MTL: -	BY: RGGWT	

BALDOR

EXTERNAL CONNECTION LABEL
SH 1 of 1

REL. S. O.	-	VOLTS	460	ENCLOSURE	DPFV	WYE CONN EQ CKT OHMS PER PHASE (AT BASE RATING, 25 °C)
FRAME	RL2570	AMPS	91.8	MAX SAFE RPM	5000	
HP	75	DUTY	CONT	IM (AMPS)	27.45	R1 .0803 X1 .437
BASE SPEED	1740	S.F.	1.0	P.F. @NL/FL	.063/.866	R2 .0604 X2 .394
PHASE/HERTZ	3/60	AMB °C/INSUL	40/H	WK ² (LB-FT ²)	3.84	X3 9.92


RATED FULL LOAD DATA

	RPM	HP	TORQUE LB-FT	FUND VOLTS	FREQ-HZ	AMPS
BASE SPEED	1742	75.0	226	460	60	92.2
MAX SPEED	2002	75.0	197	460	69	91.5
MIN SPEED	0	0	226	24.0	1.93	92.2

LOAD PERFORMANCE AT BASE SPEED

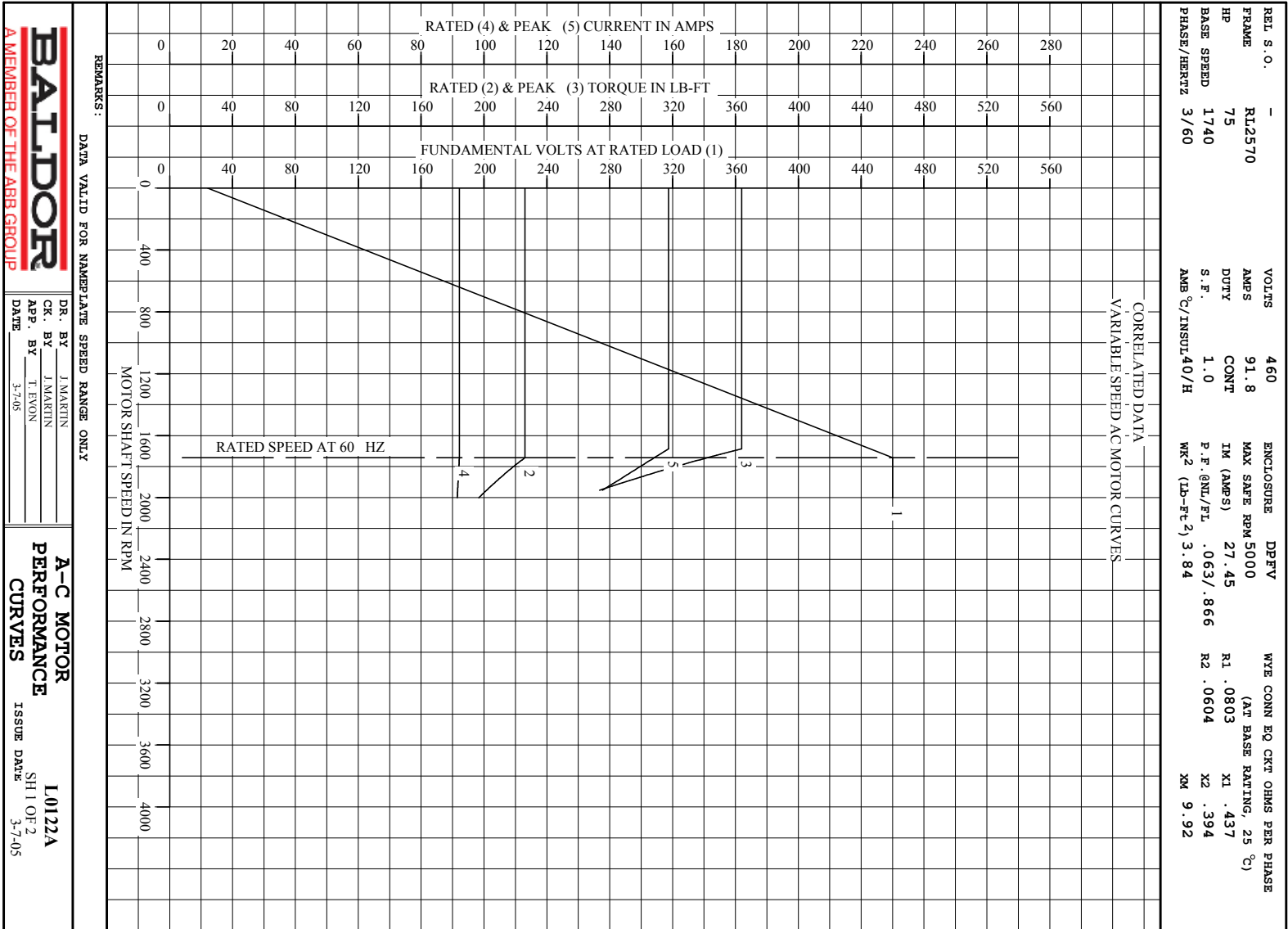
	RPM	HP	TORQUE LB-FT	FUND VOLTS	FREQ-HZ	AMPS
NO LOAD	1800	0	0	460	60	27.0
1/4	1787	18.8	55	460	60	34.7
1/2	1774	37.6	111	460	60	50.3
3/4	1759	56.2	168	460	60	69.7
FULL LOAD	1742	75.0	226	460	60	92.2
O/L	1685	117	364	460	60	159

REMARKS: CORRELATED DATA

 <p>A MEMBER OF THE ABB GROUP</p>	DR. BY	J. MARTIN	<p>A-C MOTOR PERFORMANCE DATA</p> <p>ISSUE DATE 3-7-05</p>
	CK. BY	J. MARTIN	
	APP. BY	T. EVON	
DATE		3-7-05	

C/R 393520

Printed on 1/16/12 10:32 @ r99



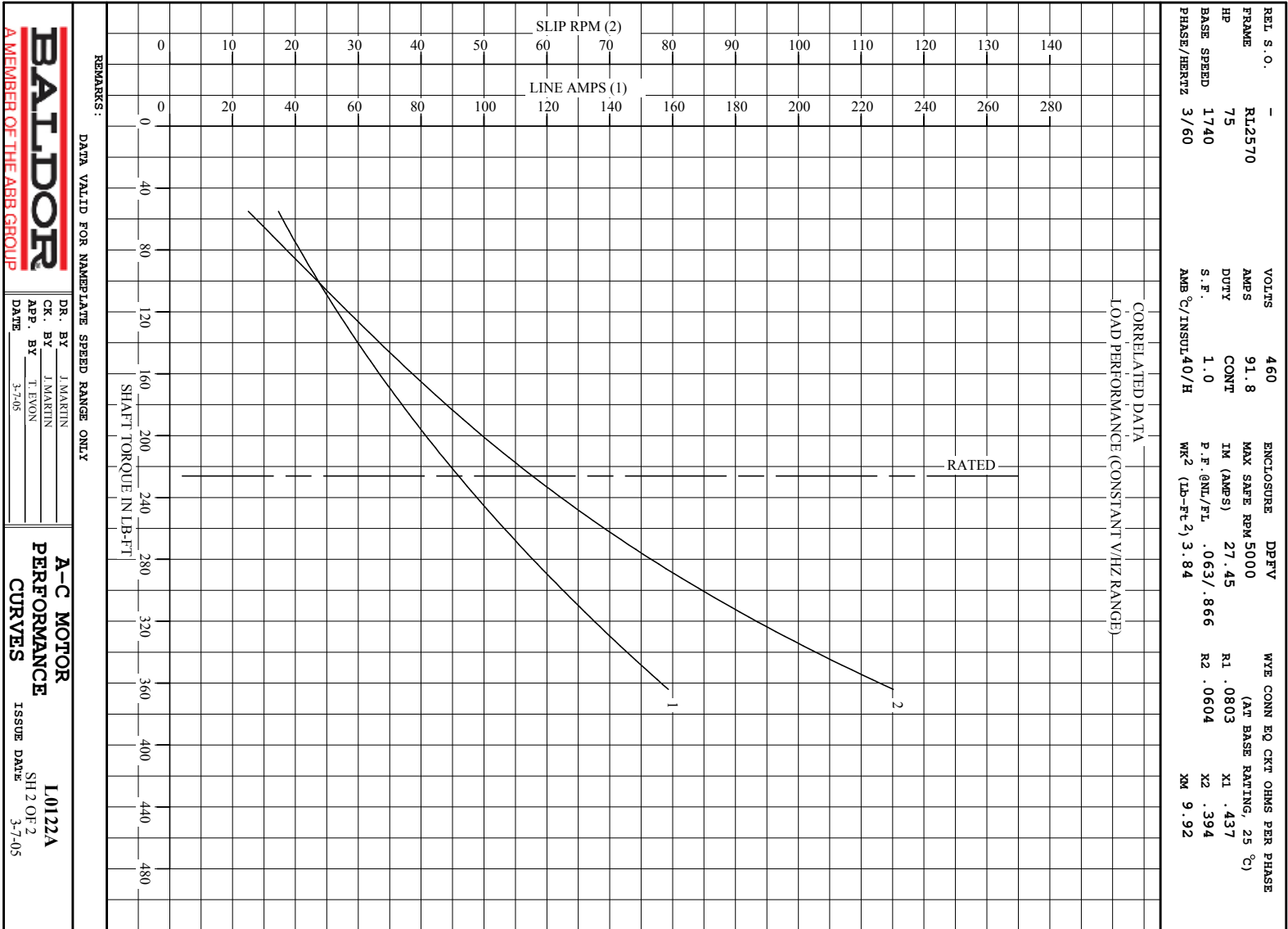
BALDOR
A MEMBER OF THE ABB GROUP

DR. BY J. MARTIN
CK. BY J. MARTIN
APP. BY T. EVON
DATE 3-7-05

**A-C MOTOR
PERFORMANCE
CURVES**

L0122A
SH 1 OF 2
ISSUE DATE 3-7-05

C/R 393520



BALDOR
A MEMBER OF THE ABB GROUP

DR. BY J. MARIN
CK. BY J. MARIN
APP. BY T. EVON
DATE 3-7-05

A-C MOTOR
PERFORMANCE
CURVES
L0122A
SH 2 OF 2
ISSUE DATE 3-7-05

C/R 393520