

BALDOR® • RELIANCE

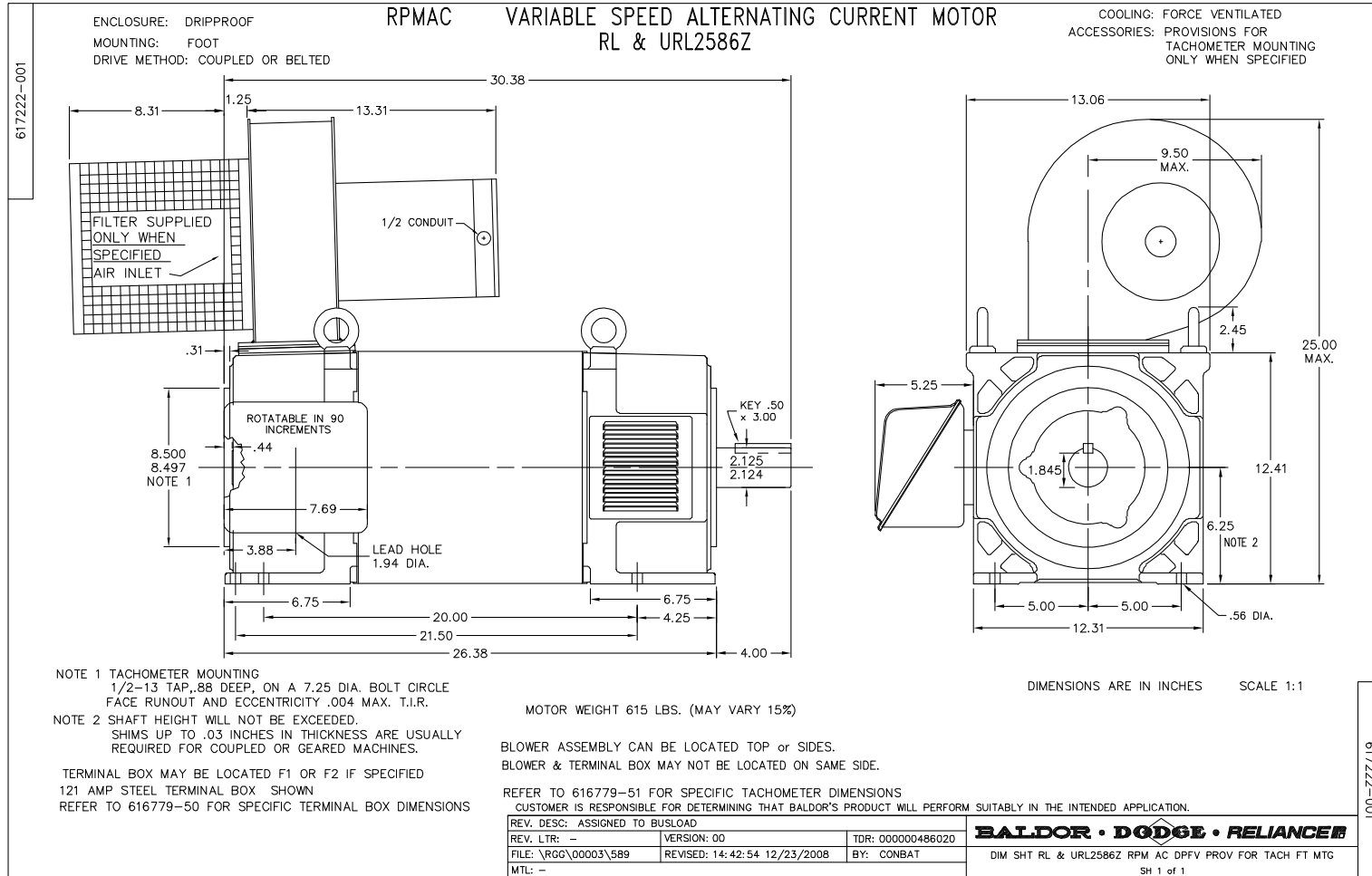
Product Information Packet

IDDRPM25756

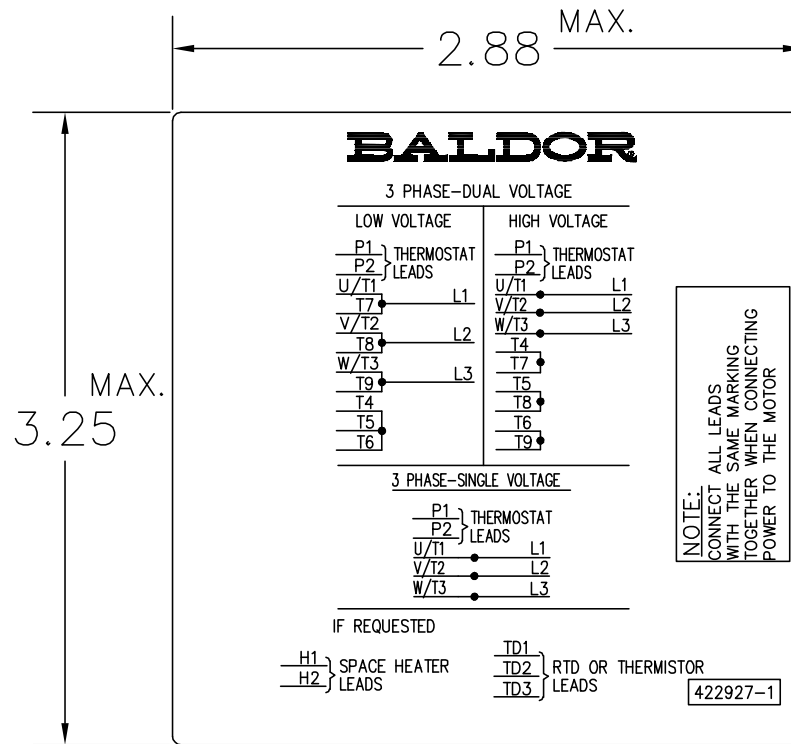
75HP, 1150RPM, 3PH, N/AHZ, 2586, DPG-FV,

Copyright © All product information within this document is subject to Baldor Electric Company copyright © protection, unless otherwise noted.

Part Detail			
Model Number:	IDDRPM25756	Environment:	General Purpose
Voltage:	460	HP:	75
RPM:	1150/1400	Efficiency:	NA
Phase:	3	Frequency:	N/A
Inverter Duty:	Y	Enclosure:	DPG-FV
Frame Group:	250	Frame Size:	RL2586
Features:	RPM AC	Mounting:	
Service Factor:	1	Enclosure Group:	DPG-FV
Weight:	0	Price Symbol:	E2
Speed Range:		Insulation Class:	H
Nema Design:	A	Encl. Enhancement:	
Catalog Page:	M-215,	Dimension Sheet:	617222-1
Connection Diagram:	422927-1	Electric Design:	L1868A
Single HP:	75	Get Notes:	RPM AC
Revision:		Instruction Manual:	B-3682
Application:	Variable Speed-V*S	Epact:	Y
Scaled Drawing:		Obsolete:	N
Last Data Source:	RGG,MADD	Bearing Type:	
Electrical Type:		Mounting Pos.:	
Ambient:	40	Duty:	
Amps:		Nominal Eff.:	
Kva Code:		Power Factor:	
Poles:	00	Literature:	



422927-001



NOTE:
DATA TO BE SIZED
SO THAT IT FITS INTO
MATERIAL DECAL
DIMENSIONS. MAKE
LETTERS & NUMBERS
AS LARGE AS POSSIBLE.

MATERIAL: CERAMATIC DGF-P4
PERMA GRIP ADHESIVE

ALL LETTERS, NUMBERS
AND LINES TO BE BLACK
ON GOLD BACKGROUND.

NOTE:
CONNECT ALL LEADS
WITH THE SAME MARKING
TOGETHER WHEN CONNECTING
POWER TO THE MOTOR

422927-1

422927-001

REV. DESC: CHANGE LOGO TO BALDOR		
REV. LTR: A	VERSION: 01	TDR: 000000556744
FILE: \RGG\00000\203	REVISED: 02:51:59 09/02/2010	
MTL: -	BY: RGGWT	

BALDOR

EXTERNAL CONNECTION LABEL
SH 1 of 1

REL. S. O. -
 FRAME RL2586
 HP 75
 BASE SPEED 1150
 PHASE/HERTZ 3/40

VOLTS 460
 AMPS 91
 DUTY CONT
 S.F. 1.0
 AMB °C/INSUL 40/H

ENCLOSURE DEPV
 MAX SAFE RPM 5000
 IM (AMPS) 28
 P.F. @NL/FL .063/.887
 WK² (LB-FT²) 4.9

WYE CONN EQ CKT OHMS PER PHASE (AT BASE RATING, 25 °C)
 R1 .103 X1 .346
 R2 .0808 X2 .352
 XM 9.97

RATED FULL LOAD DATA

	RPM	HP	TORQUE LB-FT	FUND VOLTS	FREQ-HZ	AMPS
BASE SPEED	1154	75.0	342	460	40	90.8
MAX SPEED	3449	40.0	61	460	117.6	48.9
MIN SPEED	0	0	0	28.0	1.551	91.0


LOAD PERFORMANCE AT BASE SPEED

	RPM	HP	TORQUE LB-FT	FUND VOLTS	FREQ-HZ	AMPS
NO LOAD	1200	0	0	460	40	27.1
1/4	1190	18.8	83	460	40	34.6
1/2	1179	37.6	167	460	40	49.8
3/4	1167	56.2	253	460	40	68.8
FULL LOAD	1154	75.0	342	460	40	90.8
O/L	1121	109	512	460	40	140

BLOWER DATA

VOLTS	PH/HZ	FL AMPS	LR AMPS	FRAME	CFM

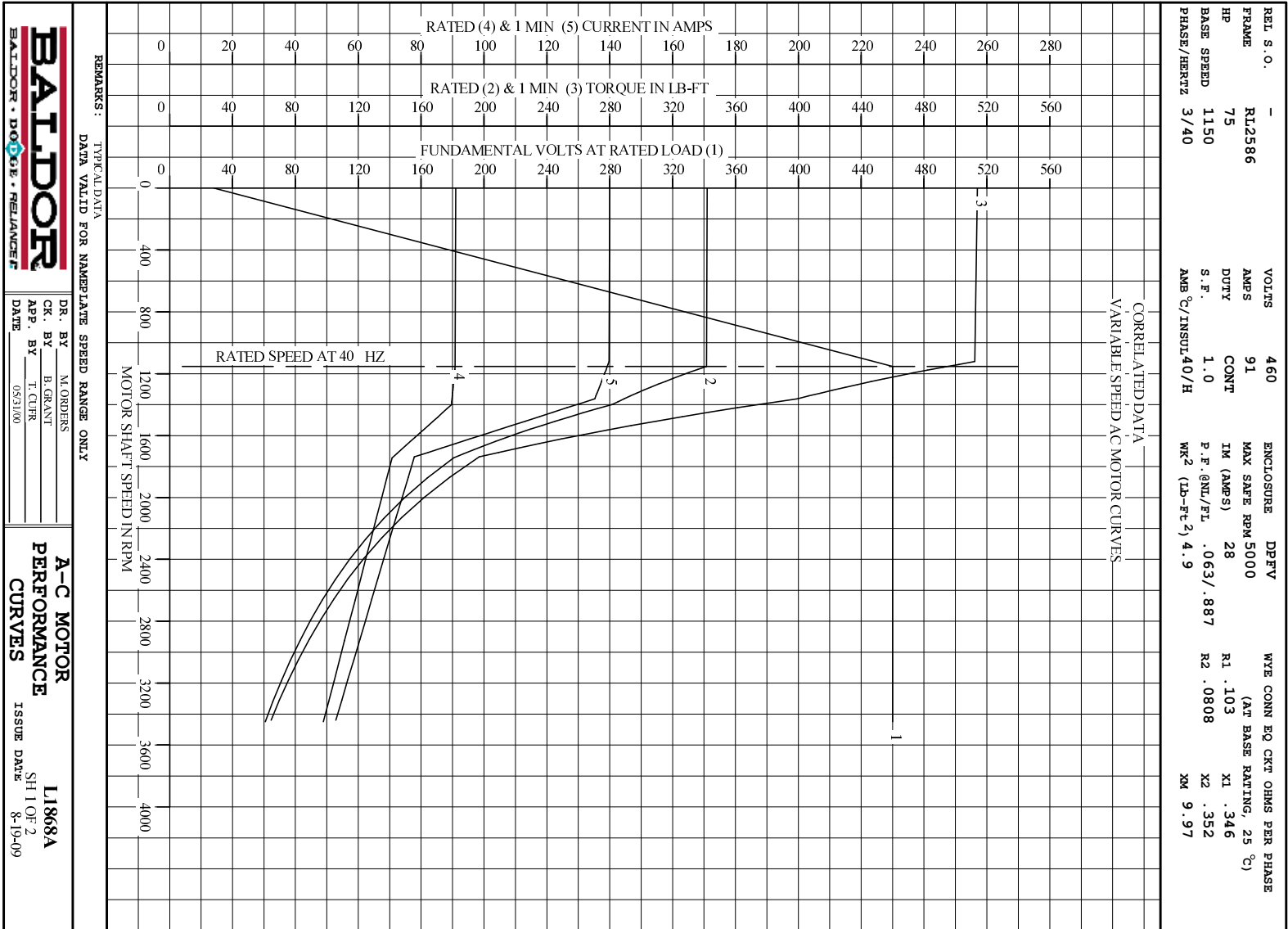
REMARKS: TYPICAL DATA
 CORRELATED DATA

	DR. BY _____	M. ORDERS	A-C MOTOR PERFORMANCE DATA L11868A ISSUE DATE 8-19-09
	CK. BY _____	B. GRANT	
	APP. BY _____	T. COOPER	
	DATE _____	05/31/00	

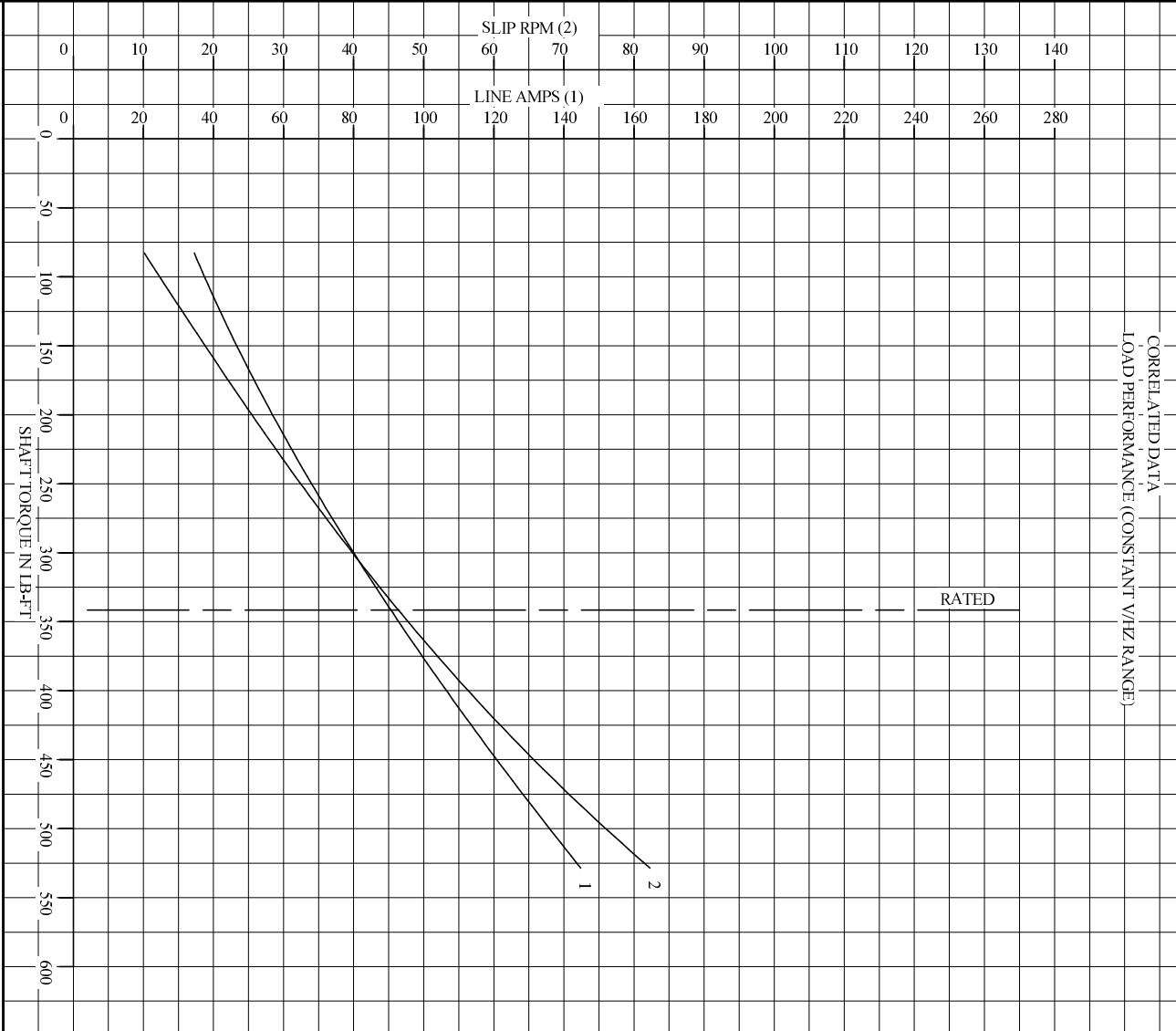
C/R 393520

Printed on 8/19/09 16:27 @ r99

1



REL. S. O.	-	VOLTS	460	ENCLOSURE	DPFV	WYE CONN EQ CKT OHMS PER PHASE
FRAME	RL2586	AMPS	91	MAX SAFE RPM	5000	(AT BASE RATING, 25 °C)
HP	75	DUTY	CONT	IM (AMPS)	28	X1 .346
BASE SPEED	1150	S.F.	1.0	P.F. @NL/FL	.063/.887	R2 .0808 X2 .352
PHASE/HERTZ	3/40	AMB C/INSUL	40/H	WK ² (LD-FL 2)	4.9	XM 9.97



REMARKS: TYPICAL DATA
DATA VALID FOR NAMEPLATE SPEED RANGE ONLY

BALDOR
BALDOR • DOUGLASS • RELIANCE

DR. BY M. ORDERS
CR. BY B. GRANT
APP. BY T. CURR
DATE 05/31/00

A-C MOTOR
PERFORMANCE
CURVES

L1868A
SH 2 OF 2
ISSUE DATE 8-19-09

C/R 393520