

BALDOR® • *RELIANCE*

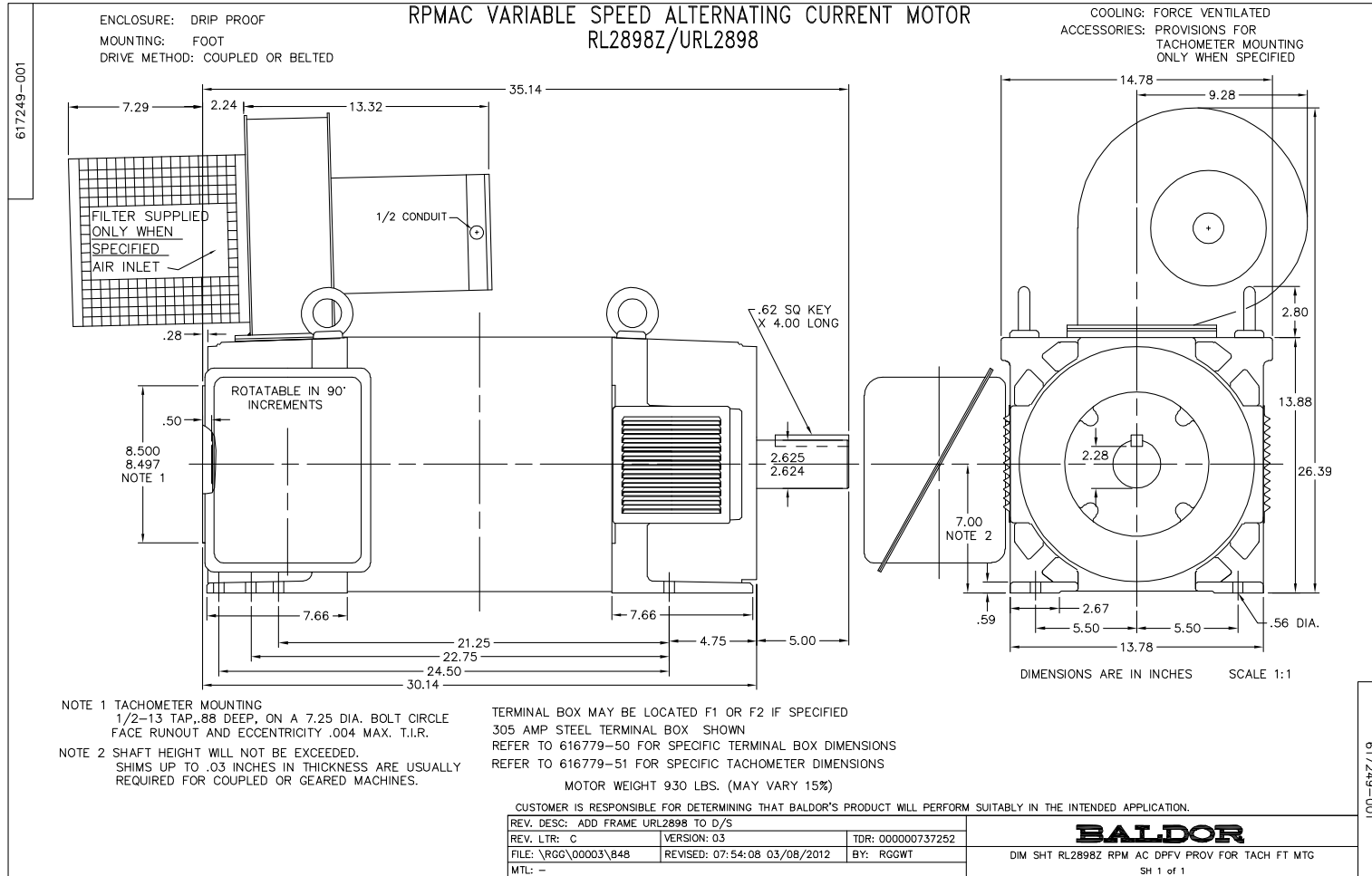
Product Information Packet

IDDRPM281256

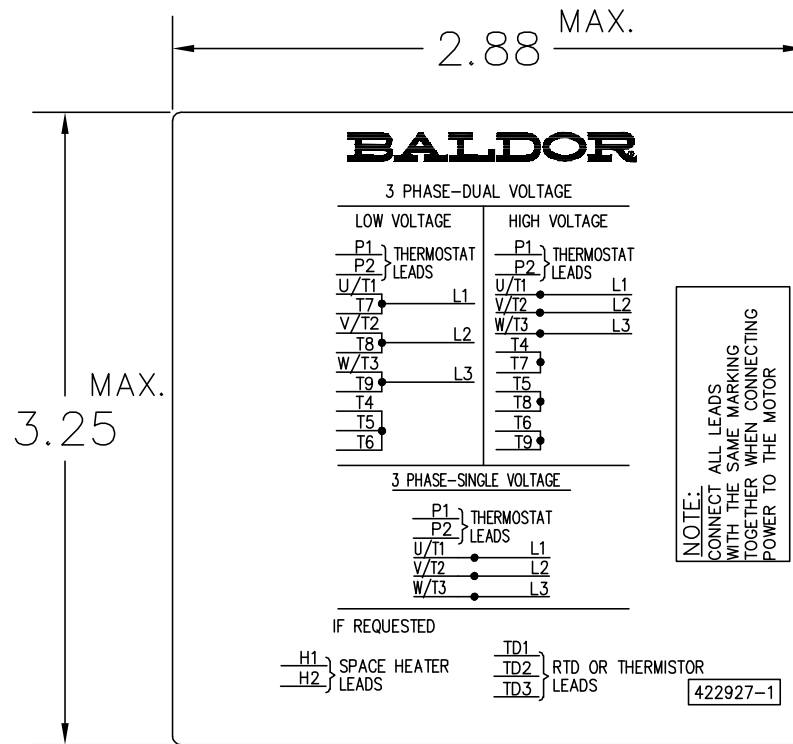
125HP, 1165RPM, 3PH, NAHZ, L2898, DPG-FV, FOOT

Copyright © All product information within this document is subject to Baldor Electric Company copyright © protection, unless otherwise noted.

Part Detail			
Model Number:	IDDRPM281256	Environment:	
Voltage:	460	HP:	125
RPM:	1165/1970	Efficiency:	
Phase:	3	Frequency:	N/A
Inverter Duty:	Y	Enclosure:	DPG-FV
Frame Group:	280	Frame Size:	RL2898
Features:	RPM AC	Mounting:	Foot Mounted
Service Factor:	1	Enclosure Group:	DPG-FV
Weight:	0	Price Symbol:	
Speed Range:		Insulation Class:	H
Nema Design:		Encl. Enhancement:	
Catalog Page:		Dimension Sheet:	617249-1
Connection Diagram:	422927-1	Electric Design:	L1591A
Single HP:	125	Get Notes:	
Revision:		Instruction Manual:	
Application:	Variable Speed-V*S	Epact:	X
Scaled Drawing:		Obsolete:	N
Last Data Source:	RGG,MADD	Bearing Type:	
Electrical Type:		Mounting Pos.:	
Ambient:	40	Duty:	
Amps:		Nominal Eff.:	
Kva Code:		Power Factor:	
Poles:	00	Literature:	



422927-001



NOTE:
DATA TO BE SIZED
SO THAT IT FITS INTO
MATERIAL DECAL
DIMENSIONS. MAKE
LETTERS & NUMBERS
AS LARGE AS POSSIBLE.

MATERIAL: CERAMATIC DGF-P4
PERMA GRIP ADHESIVE
ALL LETTERS, NUMBERS
AND LINES TO BE BLACK
ON GOLD BACKGROUND.

422927-1

422927-001

REV. DESC: CHANGE LOGO TO BALDOR		
REV. LTR: A	VERSION: 01	TDR: 000000556744
FILE: \RGG\00000\203	REVISED: 02:51:59 09/02/2010	
MTL: -	BY: RGGWT	

BALDOR
EXTERNAL CONNECTION LABEL
SH 1 of 1

REL. S.O. - VOLTS 460 ENCLOSURE DPEV WYE CONN EQ CKT OHMS PER PHASE
 FRAME 12898 AMPS 151 MAX SAFE RPM 5000 (AT BASE RATING, 25 °C)
 HP 125 DUTY CONT IM (AMPS) 48 R1 .0460 X1 .223
 BASE SPEED 1165 S.F. 1.0 P.F.@NL/FL .055/.870 R2 .0346 X2 .239
 PHASE/HERTZ 3/40 AMB °C/INSUL 40/H MK² (LB-FT²) 11.1 XM 5.66

RATED FULL LOAD DATA

	RPM	HP	TORQUE LB-FT	FUND VOLTS	FREQ-HZ	AMPS
BASE SPEED	1167	125	562	460	40	151
MAX SPEED	1974	125	332	460	68	157
MIN SPEED	0	0	0	21.4	1.10	151

LOAD PERFORMANCE AT BASE SPEED

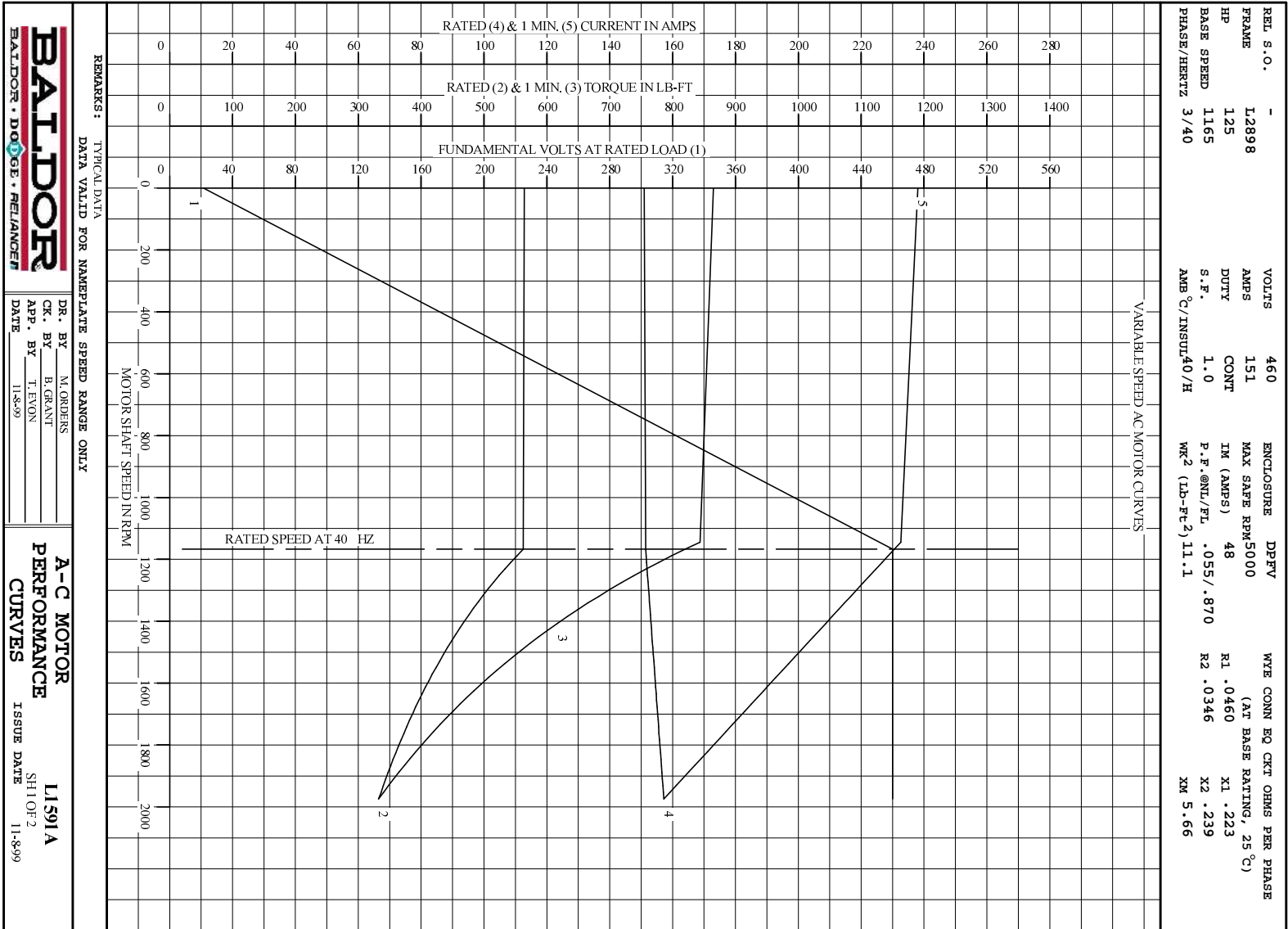
	RPM	HP	TORQUE LB-FT	FUND VOLTS	FREQ-HZ	AMPS
NO LOAD	1200	0	0	460	40	47.0
1/4	1193	31.3	138	460	40	59.2
1/2	1185	62.6	278	460	40	84.3
3/4	1177	93.7	418	460	40	115
FULL LOAD	1167	125	562	460	40	151
O/L	1144	184	844	460	40	233

BLOWER DATA

VOLTS	PH/HZ	FL AMPS	LR AMPS	FRAME	CFM

REMARKS: TYPICAL DATA

	DR. BY M. ORDERS	A-C MOTOR PERFORMANCE DATA L1591A ISSUE DATE 11-8-99
	CK. BY B. GRANT APP. BY T. EVON DATE 11-8-99	

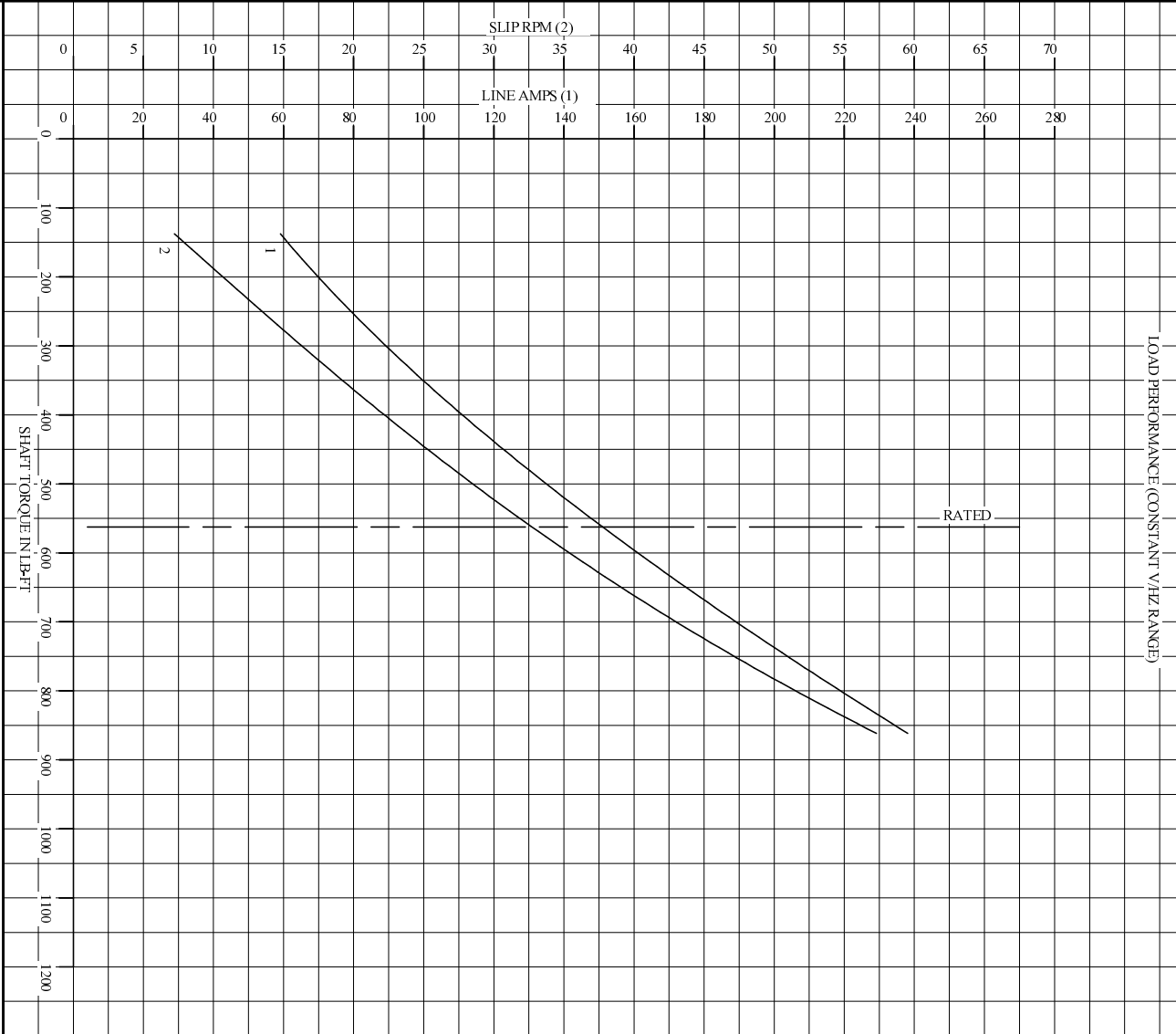


BALDOR
BALDOR • DOUGLASS • RELIANCE

DR. BY M. ORDERS
CK. BY B. GRANT
APP. BY T. EVON
DATE 11-8-99

A-C MOTOR
PERFORMANCE
CURVES
ISSUE DATE 11-8-99
L1591A
SH1 OF 2

REL S.O.	-	VOLTS	460	ENCLOSURE	DPFV	WYE CONN EQ CKT OHMS PER PHASE
FRAME	I2898	AMPS	151	MAX SAFE RPM	5000	(AT BASE RATING, 25 °C)
HP	125	DUTY	CONT	IM (AMPS)	48	R1 .0460 X1 .223
BASE SPEED	1165	S.F.	1.0	P.F.@NL/FL	.055/.870	R2 .0346 X2 .239
PHASE/HERTZ	3/40	AMB C/INSUL	40/H	WK ² (LB-FC ²)	11.1	XM 5.66



REMARKS: TYPICAL DATA
DATA VALID FOR NAMEPLATE SPEED RANGE ONLY



DR. BY M. ORDERS
CK. BY B. GRANT
APP. BY T. EVON
DATE 11-8-99

**A-C MOTOR
PERFORMANCE
CURVES**

L1591A
SH20F2
11-8-99