

BALDOR® • **RELIANCE**

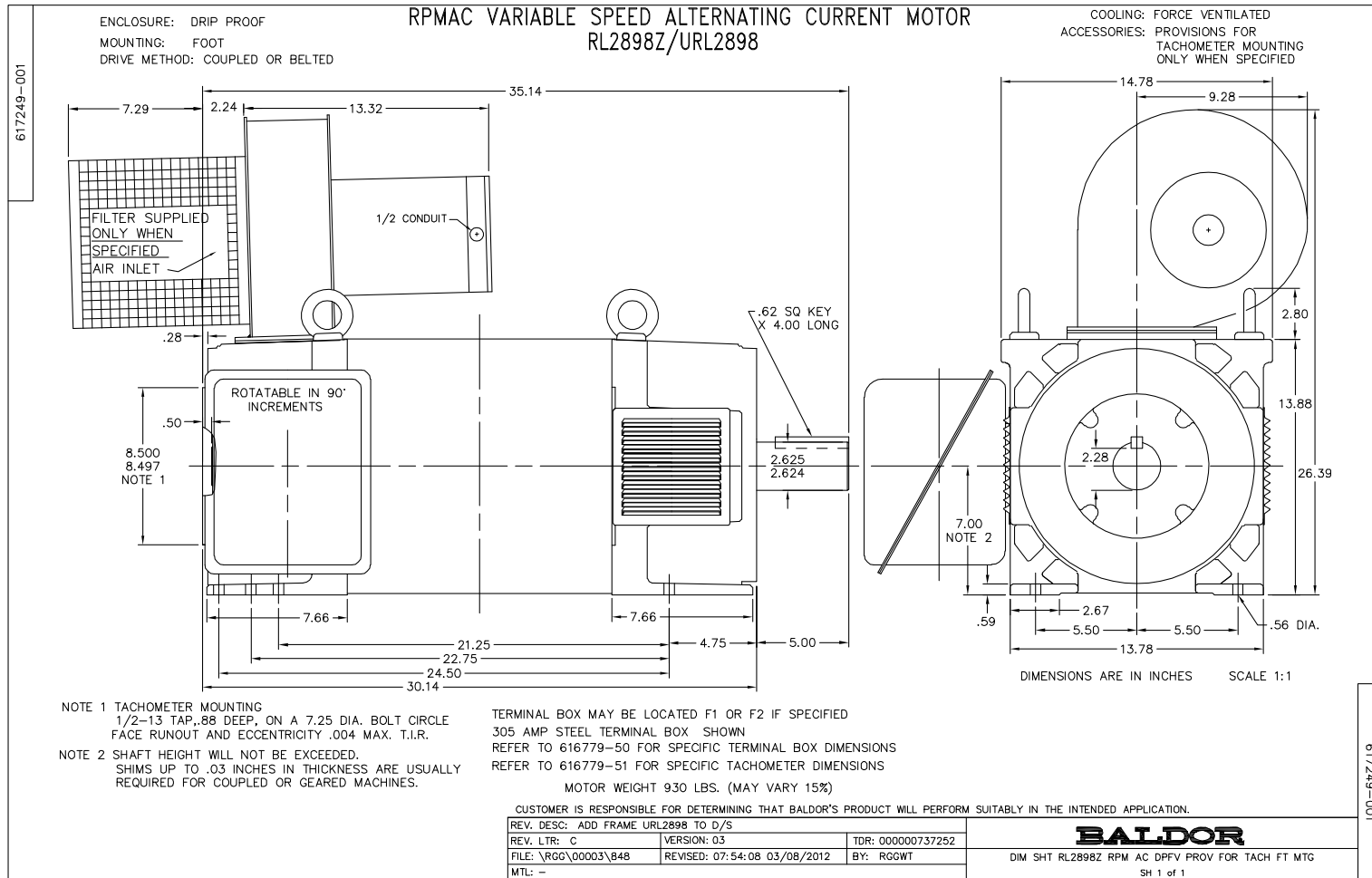
Product Information Packet

IDDRPM282004

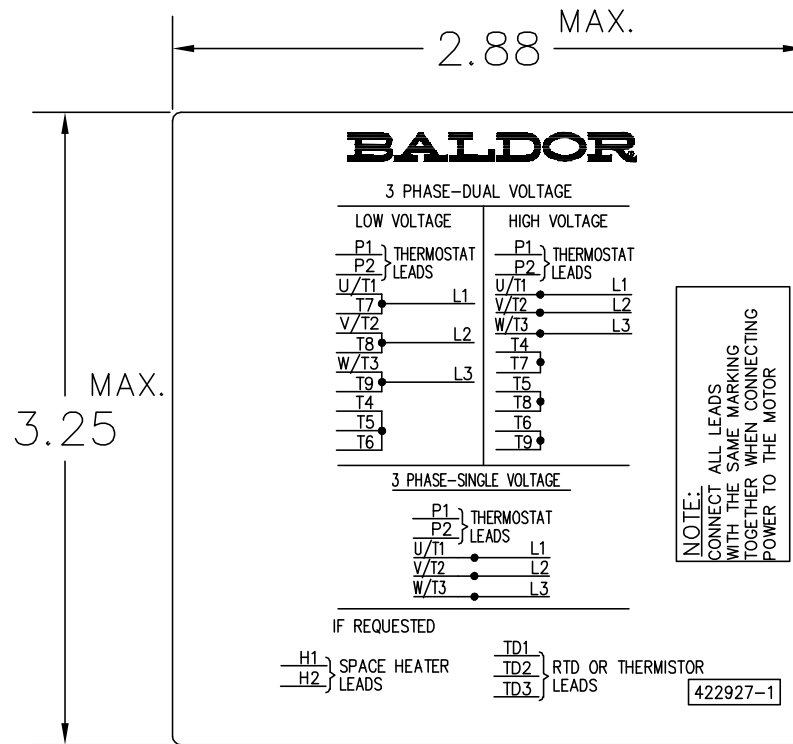
200HP, 1760RPM, 3PH, NAHZ, RL2898, DPG-FV, FT

Copyright © All product information within this document is subject to Baldor Electric Company copyright © protection, unless otherwise noted.

Part Detail			
Model Number:	IDDRPM282004	Environment:	
Voltage:	460	HP:	200
RPM:	1760/2700	Efficiency:	
Phase:	3	Frequency:	N/A
Inverter Duty:	Y	Enclosure:	DPG-FV
Frame Group:	280	Frame Size:	RL2898
Features:	RPM AC	Mounting:	Foot Mounted
Service Factor:	1	Enclosure Group:	DPG-FV
Weight:	0	Price Symbol:	
Speed Range:		Insulation Class:	H
Nema Design:		Encl. Enhancement:	
Catalog Page:		Dimension Sheet:	617249-1
Connection Diagram:	422927-1	Electric Design:	L1642A
Single HP:	200	Get Notes:	
Revision:		Instruction Manual:	
Application:	Variable Speed-V*S	Epact:	X
Scaled Drawing:		Obsolete:	N
Last Data Source:	RGG,MADD	Bearing Type:	
Electrical Type:		Mounting Pos.:	
Ambient:	40	Duty:	
Amps:		Nominal Eff.:	
Kva Code:		Power Factor:	
Poles:	00	Literature:	



422927-001



NOTE:
DATA TO BE SIZED
SO THAT IT FITS INTO
MATERIAL DECAL
DIMENSIONS. MAKE
LETTERS & NUMBERS
AS LARGE AS POSSIBLE.

MATERIAL: CERAMATIC DGF-P4
PERMA GRIP ADHESIVE
ALL LETTERS, NUMBERS
AND LINES TO BE BLACK
ON GOLD BACKGROUND.

NOTE:
CONNECT ALL LEADS
WITH THE SAME MARKING
TOGETHER WHEN CONNECTING
POWER TO THE MOTOR

422927-1

422927-001

REV. DESC: CHANGE LOGO TO BALDOR		
REV. LTR: A	VERSION: 01	TDR: 000000556744
FILE: \RGG\00000\203	REVISED: 02:51:59 09/02/2010	
MTL: -	BY: RGGWT	

BALDOR

EXTERNAL CONNECTION LABEL
SH 1 of 1

REL. S. O. -
 FRAME RL2898
 HP 200
 BASE SPEED 1760
 PHASE/HERTZ 3/60

VOLTS 460
 AMPS 237
 DUTY CONT
 S.F. 1.0
 AMB °C/INSUL 40/H

ENCLOSURE
 MAX SAFE RPM 5000
 IM (AMPS) 72
 P.F. @NL/FL .052/.867
 WK² (LB-FT²) 11.1

DPFV
 WYE CONN EQ CKT OHMS PER PHASE (AT BASE RATING, 25 °C)
 R1 .0208 X1 .148
 R2 .0154 X2 .153
 XM 3.75


RATED FULL LOAD DATA

	RPM	HP	TORQUE LB-FT	FUND VOLTS	FREQ-HZ	AMPS
BASE SPEED	1766	200	595	460	60	237
MAX SPEED	2707	200	388	460	92.2	242
MIN SPEED	0	0	595	15.3	1.13	237

LOAD PERFORMANCE AT BASE SPEED

	RPM	HP	TORQUE LB-FT	FUND VOLTS	FREQ-HZ	AMPS
NO LOAD	1800	0	0	460	60	70.5
1/4	1792	50.0	147	460	60	91.5
1/2	1784	100	294	460	60	131
3/4	1776	150	444	460	60	181
FULL LOAD	1766	200	595	460	60	237
O/L	1743	296	893	460	60	363

REMARKS: TYPICAL DATA

 A MEMBER OF THE ABB GROUP	DR. BY _____ M. ORDERS	A-C MOTOR PERFORMANCE DATA L1642A ISSUE DATE 12-10-09
	CK. BY _____ B. GRANT APP. BY _____ T. EVON DATE 12/9/99	

