

# **BALDOR**® • *RELIANCE*

## Product Information Packet

**IDDRPM322504R1**

**250HP,1750,460V,RL3203,DPFV,F1**

Part Detail							
Revision:	A	Status:	PRD/A	Change #:		Proprietary:	No
Type:	AC	Elec. Spec:	L0115A	CD Diagram:	422927-001	Mfg Plant:	
Mech. Spec:		Layout:	619691-001	Poles:	04	Created Date:	01-05-2016
Base:		Eff. Date:	05-13-2016	Leads:			

Specs			
Catalog Number:	IDDRPM322504R1		
Enclosure:	DPG-FV		
Frame:	RL3203Z		
Frame Material:	Exposed Laminations		
Output @ Frequency:	250.000 HP @ 60 HZ		
Synchronous Speed @ Frequency:	1800 RPM @ 60 HZ		
Voltage @ Frequency:	460.0 V @ 60 HZ		
Auxillary Box:	No Auxillary Box		
Base Indicator:	Rigid		
Bearing Grease Type:	Polyrex EM (-20F +300F)		
Current @ Voltage:	295.000 A @ 460.0 V		
Duty Rating:	CONT		
Feedback Device:	NO FEEDBACK		
Frame Prefix:	RL		
Heater Indicator:	No Heater		
Insulation Class:	H		
Mounting Arrangement:	F1		
Product Family:	General Industrial		

<b>Pulley End Bearing Type:</b>	Ball		
<b>Pulley Face Code:</b>	Special Combinations Not Liste		
<b>Shaft Ground Indicator:</b>	No Shaft Grounding		
<b>Shaft Rotation:</b>	Reversible		
<b>Motor Standards:</b>	NEMA		
<b>Thermal Device - Bearing:</b>	None		
<b>Thermal Device - Winding:</b>	Normally Closed Thermostat		

		DUTY	HP	RPM	AMPS	VOLTS	HZ			
	CONT		250	1765	295	460	60			
	CONT		250	2200	295	460	75			
	CONT		250	2945	285	460	100			
CAT.NO.	IDDRPM322504R1			SPEC. NO.		R32-A000-0018				
SER.NO.				FR	RL3203Z	INSUL	H			
PH.	3	MAX SAFE SPEED		4000	AMB.	40			MIN. AMB.	-25
DESIGN NO.	L0115A			TYPE	ENCL. DPG-FV					
S.F.	1.00			D.E. BRG.	85BC02J30X					
ENCL MOD				O.D.E. BRG.	65BC03J30X					

Parts List		
Part Number	Description	Quantity
WS304195	WS R32-A000-0018	1.000 EA
RA300407	RA R32-A000-0018	1.000 EA
000692000VD	LABEL WARNING	1.000 EA
000692000FP	NP, WARNING LIFT INSTRUCTIONS	1.000 EA
418057747A	METAL FASTENER	8.000 EA
000613006MY	NP-RPMAC INVERTER DUTY	1.000 EA
422927001	C/D LABEL	1.000 EA
807530004AA	BRKT, ODE RL320	1.000 EA
807530003AA	BRKT, DE RL320	1.000 EA
HA4054	SHORT T-DRAIN FITTING, .125" N.P.T.	1.000 EA
HA4054	SHORT T-DRAIN FITTING, .125" N.P.T.	1.000 EA
004824015A	GREASE POLYREX EM	0.900 LB
400638001AD	WAVEN - 400	1.000 EA
418150003A	GREASE FITTING CAP	2.000 EA
035000001A	ALFTG 1/8" 1610-BL	1.000 EA
035000001A	ALFTG 1/8" 1610-BL	1.000 EA
036100090KA	HSHCS SHAFT BLOCK	4.000 EA
036100090KA	HSHCS SHAFT BLOCK	4.000 EA
036140001E	EYEBOLT	2.000 EA
034690002AL	1/4 SQ.HD.PIPE PLUG	1.000 EA
034690002AL	1/4 SQ.HD.PIPE PLUG	1.000 EA
036500013AB	HX NUT,ODE BRKT	4.000 EA
036500013AB	HX NUT,ODE BRKT	4.000 EA
708532004A	L320 AIR BAFFLE	1.000 EA

Parts List (continued)		
Part Number	Description	Quantity
609830005AAK	TBOLT	2.000 EA
609830005AAM	TBOLT	2.000 EA
610490001AF	1.5HP,3450//2850RPM,3PH,60//50HZ,56C,352	1.000 EA
036000012JB	M8-1.25 X 12MM HXHDC	3.000 EA
611965001A	WHEEL, BLOWER	1.000 EA
417733004J	GASKT	2.000 EA
611917002H	GASKT	1.000 EA
036000020JB	HHCS M8-1.25X20L PLTD-250	6.000 EA
032018006CK	HHCS 3/8-16X3/4L PLATED	4.000 EA
000613006NT	NAME PLATE IEC	1.000 EA
417733036C	GASKT,C/BOX BACKPLATE,REF 706310063B	1.000 EA
418057256C	HHCS M10 25MM 440 IEC	1.000 EA
036600009AB	METRIC FLWASH M8 PLATED	3.000 EA
032018004DK	HHCS,DRIP COVER	4.000 EA
706310389B	ENTRY PLATE 706310389AB	1.000 EA
417733014C	GASKT (REK P/N 187215)	1.000 EA
036000020JD	HHCS M8X20MM LONG 304S.S	5.000 EA
418018074A	GROUND LABEL G100 METRIC 160 D.C.	1.000 EA
708528004F	HOUSING, BLOWER	1.000 EA
410978010E	INLET FLGE	1.000 EA
410978019A	SCREEN, INLET FLANGE	1.000 EA
036000045JB	M8-1.25 X 45MM HXHCS	4.000 EA
036620010AB	M10 EXT. TOOTH LK WASHER	1.000 EA
034017014AB	LCKW 3/8 STD. PLATED	4.000 EA

Product Information Packet: IDDRPM322504R1 - 250HP,1750,460V,RL3203,DPFV,F1

613439051A	ADAPT,CBOX,RL320	1.000 EA
418014004A	ADAPT 418014-4WCA	1.000 EA
422919085	HHCVR KIT,C320,DE,SOLID, XT	1.000 EA
422919088	HHCVR KIT,C320,DE,LOUVERED,S/P, XT	1.000 EA
422919088	HHCVR KIT,C320,DE,LOUVERED,S/P, XT	1.000 EA
422919370	HHCVR KIT,L320,DE,X/T,C/BOX MTG	1.000 EA
422919085	HHCVR KIT,C320,DE,SOLID, XT	1.000 EA
036600008AD	FLTWSHR,T BLK SPT	8.000 EA
706310063B	CBOX (REK)	1.000 EA
706310058B	CBCVR(REK P/N 187296)	1.000 EA
417733013B	GASKT (REK P/N 189486)	1.000 EA
036000016HD	HXHCS	8.000 EA
036000012KB	M10 1.50 X 12MM HXHDCS	4.000 EA
706305301A	GUARD, SHAFT	1.000 EA
034180034JA	3/4X3/4 X 41/4 L KEY	1.000 EA
000640000P	TAG WINDING THERMOST	1.000 EA
004824007K	SPECIAL PAINT	0.300 EA
418018116	WARNING PLATE	1.000 EA

REL S.O.	-	VOLTS	460	ENCLOSURE	DPFV	WYE CONN EQ CKT OHMS PER PHASE
FRAME	RL3203	AMPS	289.68	MAX SAFE RPM	4000	(AT BASE RATING, 25 °C)
HP	250	DUTY	CONT	IM (AMPS)	93.12	R1 .0132 X1 .100
BASE SPEED	1765	S.F.	1.0	P.F. @NL/FL	.037/.87	R2 .0111 X2 .0979
PHASE/HERTZ	3/60	AMB °C/INSUL	40/H	WK <sup>2</sup> (lb-ft <sup>2</sup> )	21.3	XM 2.79


**RATED FULL LOAD DATA**

	RPM	HP	TORQUE LB-FT	FUND VOLTS	FREQ-HZ	AMPS
BASE SPEED	1771	250	743	460	60	289
MAX SPEED	2946	250	446	460	100	291
MIN SPEED	0	0	0	14.0	.980	290

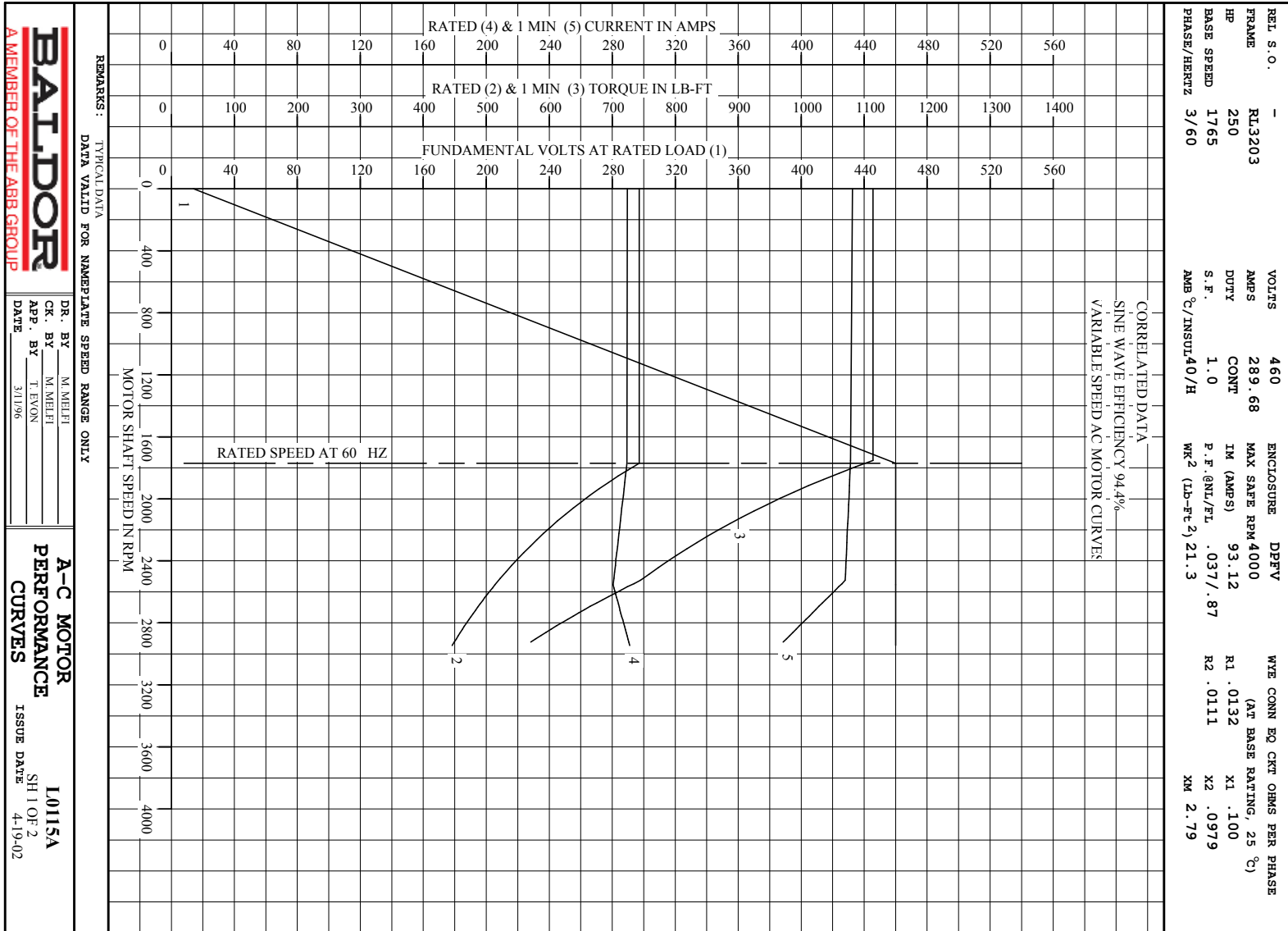
**LOAD PERFORMANCE AT BASE SPEED**

	RPM	HP	TORQUE LB-FT	FUND VOLTS	FREQ-HZ	AMPS
NO LOAD	1800	0	0	460	60	94.7
1/4	1793	63.8	187	460	60	119
1/2	1786	127	374	460	60	167
3/4	1778	191	564	460	60	227
FULL LOAD	1771	250	743	460	60	289
O/L	1753	372	1114	460	60	431

REMARKS: TYPICAL DATA  
CORRELATED DATA  
SINE WAVE EFFICIENCY 94.4%

 <p><b>A MEMBER OF THE ABB GROUP</b></p>	DR. BY	M. MELFI	<p><b>A-C MOTOR</b></p> <p><b>PERFORMANCE</b> I0115A</p> <p><b>DATA</b> ISSUE DATE 4-19-02</p>
	CR. BY	M. MELFI	
	APP. BY	T. EVON	
	DATE	3/11/96	

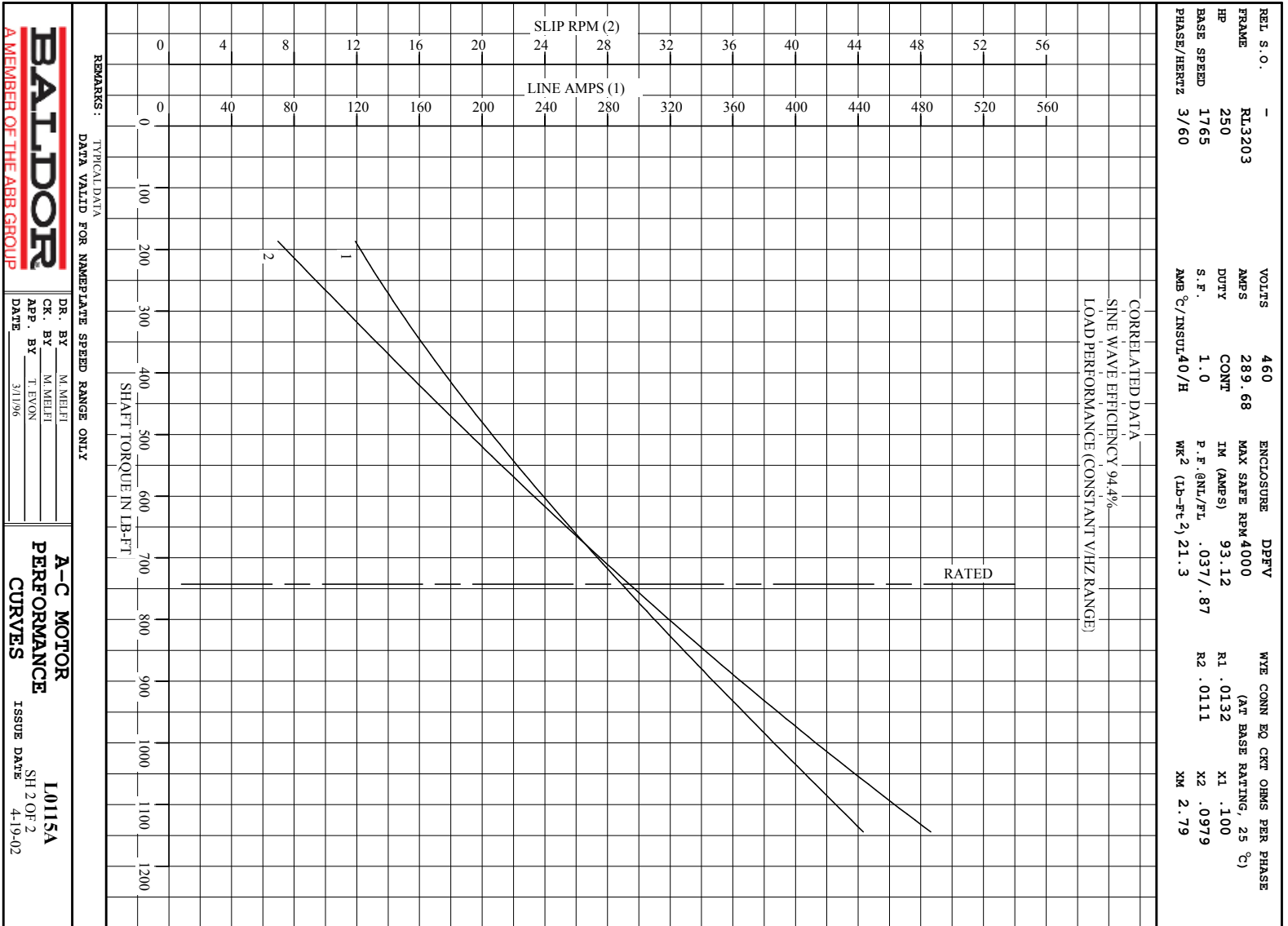




**BALDOR**  
A MEMBER OF THE ABB GROUP

DR. BY M. MEHTI  
CR. BY M. MEHTI  
APP. BY T. EVON  
DATE 3/11/96

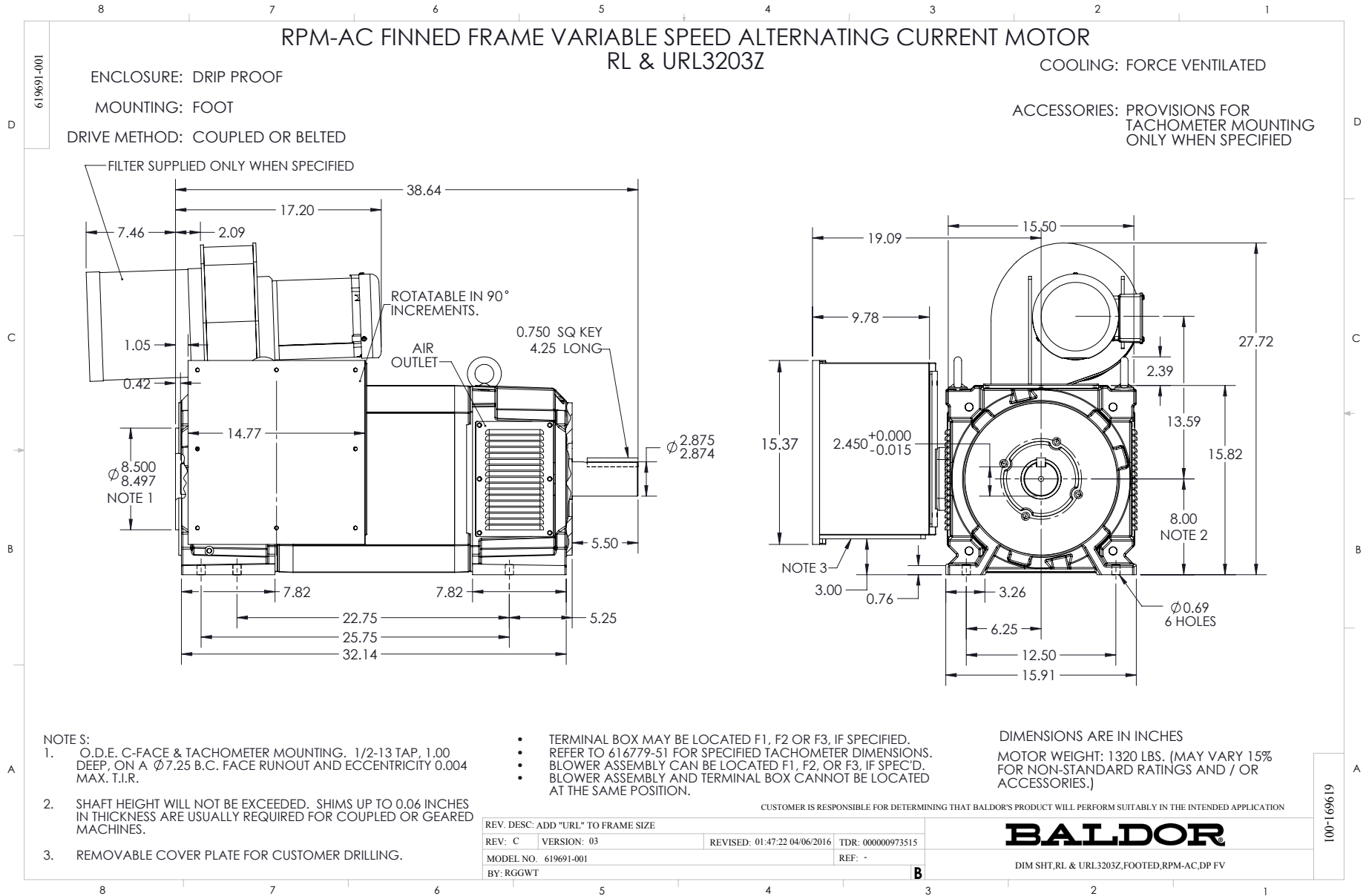
**A-C MOTOR**  
**PERFORMANCE**  
**CURVES**  
ISSUE DATE 4-19-02  
**L0115A**  
SH 1 OF 2



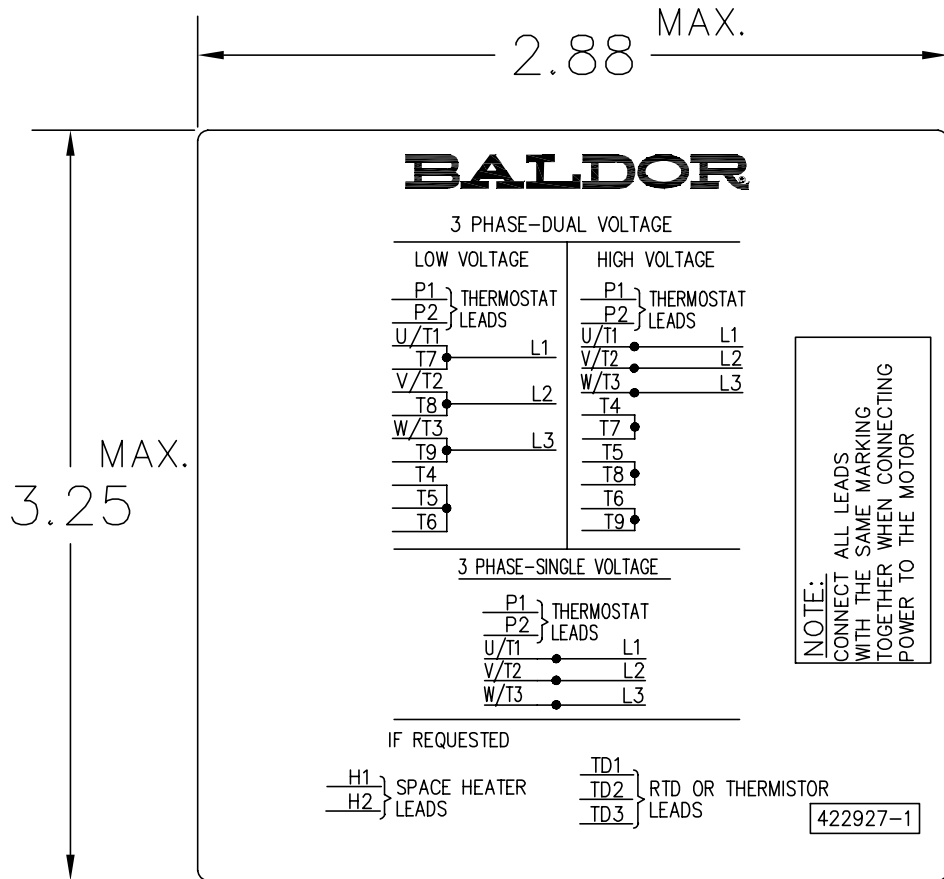
**BALDOR**  
A MEMBER OF THE ABB GROUP

DR. BY M. MEHL  
CR. BY M. MEHL  
APP. BY T. EVON  
DATE 3/11/96

**A-C MOTOR**  
**PERFORMANCE**  
**CURVES**  
I0115A  
SH 2 OF 2  
ISSUE DATE 4-19-02



422927-001



NOTE:  
DATA TO BE SIZED  
SO THAT IT FITS INTO  
MATERIAL DECAL  
DIMENSIONS. MAKE  
LETTERS & NUMBERS  
AS LARGE AS POSSIBLE.

MATERIAL: CERAMATIC DGF-P4  
PERMA GRIP ADHESIVE

ALL LETTERS, NUMBERS  
AND LINES TO BE BLACK  
ON WHITE BACKGROUND.

422927-001

REV. DESC: CHANGE BACKGROUND COLOR FROM GOLD TO WHITE		
REV. LTR: B	VERSION: 02	TDR: 000000788708
FILE: \RGG\00000\203	REVISED: 08:09:29 03/04/2013	
MTL: -	BY: RGGWT	

**BALDOR**

EXTERNAL CONNECTION LABEL

SH 1 of 1

Marketing maintained PDF of MN406:

<http://www.baldor.com/support/Literature/Load.ashx/MN406?ManNumber=MN406>