

# **BALDOR**® • ***RELIANCE***

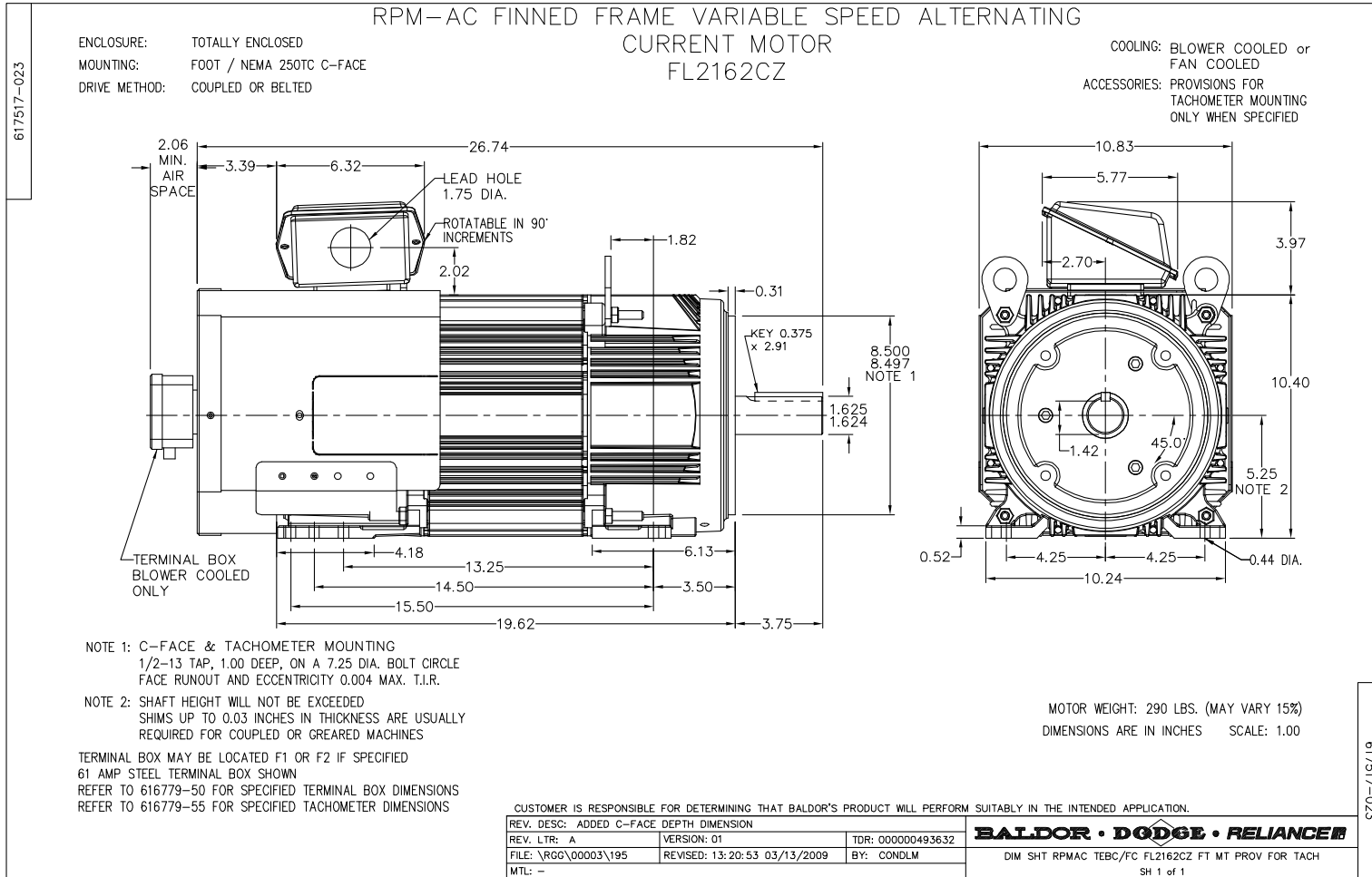
## **Product Information Packet**

# **IDFRPM21154C**

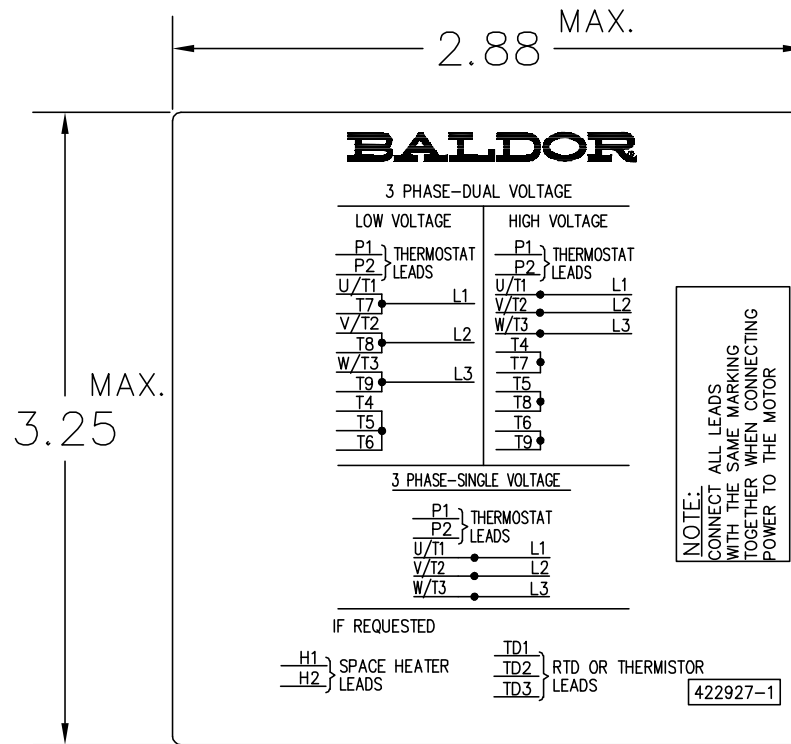
**15 HP 1750 TEFC FL2162C (250TC)**

Copyright © All product information within this document is subject to Baldor Electric Company copyright © protection, unless otherwise noted.

Part Detail			
Model Number:	IDFRPM21154C	Environment:	General Purpose
Voltage:	460	HP:	15
RPM:	1775/3550	Efficiency:	NA
Phase:	3	Frequency:	N/A
Inverter Duty:	Y	Enclosure:	TEFC
Frame Group:	210	Frame Size:	FL2162CZ
Features:	RPM AC	Mounting:	Foot Mounted
Service Factor:	1	Enclosure Group:	TEFC
Weight:	0	Price Symbol:	E2
Speed Range:		Insulation Class:	H
Nema Design:		Encl. Enhancement:	
Catalog Page:	B-194	Dimension Sheet:	617517-23
Connection Diagram:	422927-1	Electric Design:	L3307A
Single HP:	15	Get Notes:	RPM AC
Revision:		Instruction Manual:	
Application:	Variable Speed-V*S	Epact:	
Scaled Drawing:		Obsolete:	N
Last Data Source:	RGG,MADD	Bearing Type:	
Electrical Type:		Mounting Pos.:	
Ambient:	40	Duty:	
Amps:		Nominal Eff.:	
Kva Code:		Power Factor:	
Poles:	00	Literature:	



422927-001



NOTE:  
DATA TO BE SIZED SO THAT IT FITS INTO MATERIAL DECAL DIMENSIONS. MAKE LETTERS & NUMBERS AS LARGE AS POSSIBLE.

MATERIAL: CERAMATIC DGF-P4  
PERMA GRIP ADHESIVE  
ALL LETTERS, NUMBERS AND LINES TO BE BLACK ON GOLD BACKGROUND.

NOTE:  
CONNECT ALL LEADS WITH THE SAME MARKING TOGETHER WHEN CONNECTING POWER TO THE MOTOR

422927-1

422927-001

REV. DESC: CHANGE LOGO TO BALDOR		
REV. LTR: A	VERSION: 01	TDR: 000000556744
FILE: \RGG\00000\203	REVISED: 02:51:59 09/02/2010	
MTL: -	BY: RGGWT	

**BALDOR**

EXTERNAL CONNECTION LABEL

SH 1 of 1

REL. S.O.	-	VOLTS	460	ENCLOSURE	TEFC	WYE CONN EQ CKT OHMS PER PHASE
FRAME	FL2162	AMPS	20	MAX SAFE RPM	5000	(AT BASE RATING, 25 °C)
HP	15	DUTY	CONT	IM (AMPS)	11	R1 .250 X1 1.04
BASE SPEED	1775	S.F.	1.0	P.F.@NL/FL	.071/.781	R2 .149 X2 1.47
PHASE/HERTZ	3/60	AMB °C/INSUL	40/H	WK <sup>2</sup> (LB-FT <sup>2</sup> )	1.92	X3 XM 24.4

**RATED FULL LOAD DATA**



	RPM	HP	TORQUE LB-FT	FUND VOLTS	FREQ-HZ	AMPS
BASE SPEED	1776	15.0	44	460	60	20.1
MAX SPEED	3548	15.0	22	460	120	18.4
MIN SPEED	0	0	44	14.4	.797	20.1

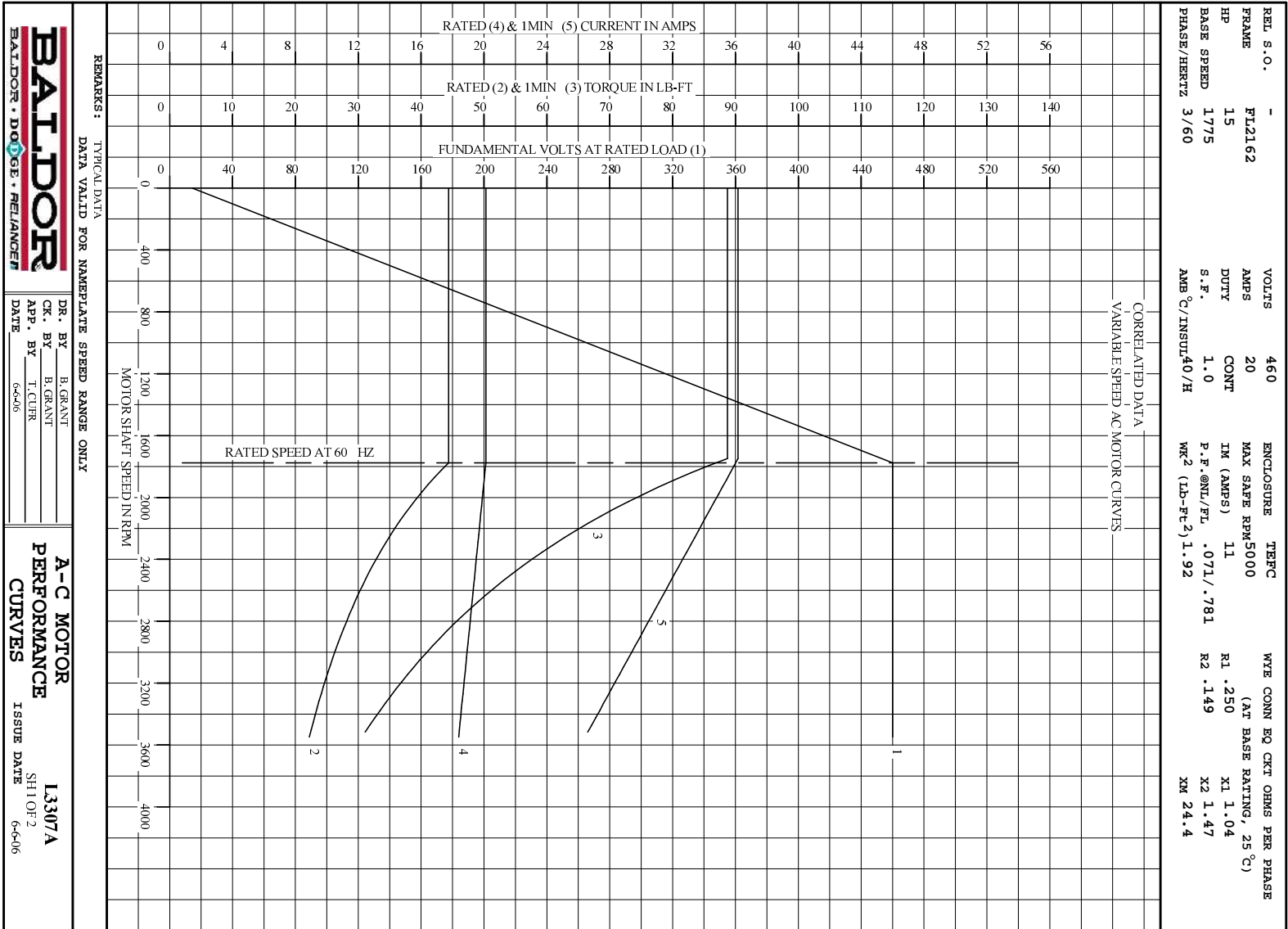
**LOAD PERFORMANCE AT BASE SPEED**

	RPM	HP	TORQUE LB-FT	FUND VOLTS	FREQ-HZ	AMPS
NO LOAD	1800	0	0	460	60	10.6
1/4	1794	3.75	11	460	60	11.7
1/2	1788	7.50	22	460	60	13.7
3/4	1782	11.3	33	460	60	16.7
FULL LOAD	1776	15.0	44	460	60	20.1
O/L	1748	29.5	89	460	60	36.2

BLOWER DATA	VOLTS	PH/HZ	FL AMPS	LR AMPS	FRAME	CFM

REMARKS: TYPICAL DATA  
CORRELATED DATA

	DR. BY	B. GRANT	<b>A-C MOTOR PERFORMANCE DATA</b>
	CK. BY	T. CUFR	
	APP. BY	6-6-06	
		DATE	I3307A ISSUE DATE 6-6-06

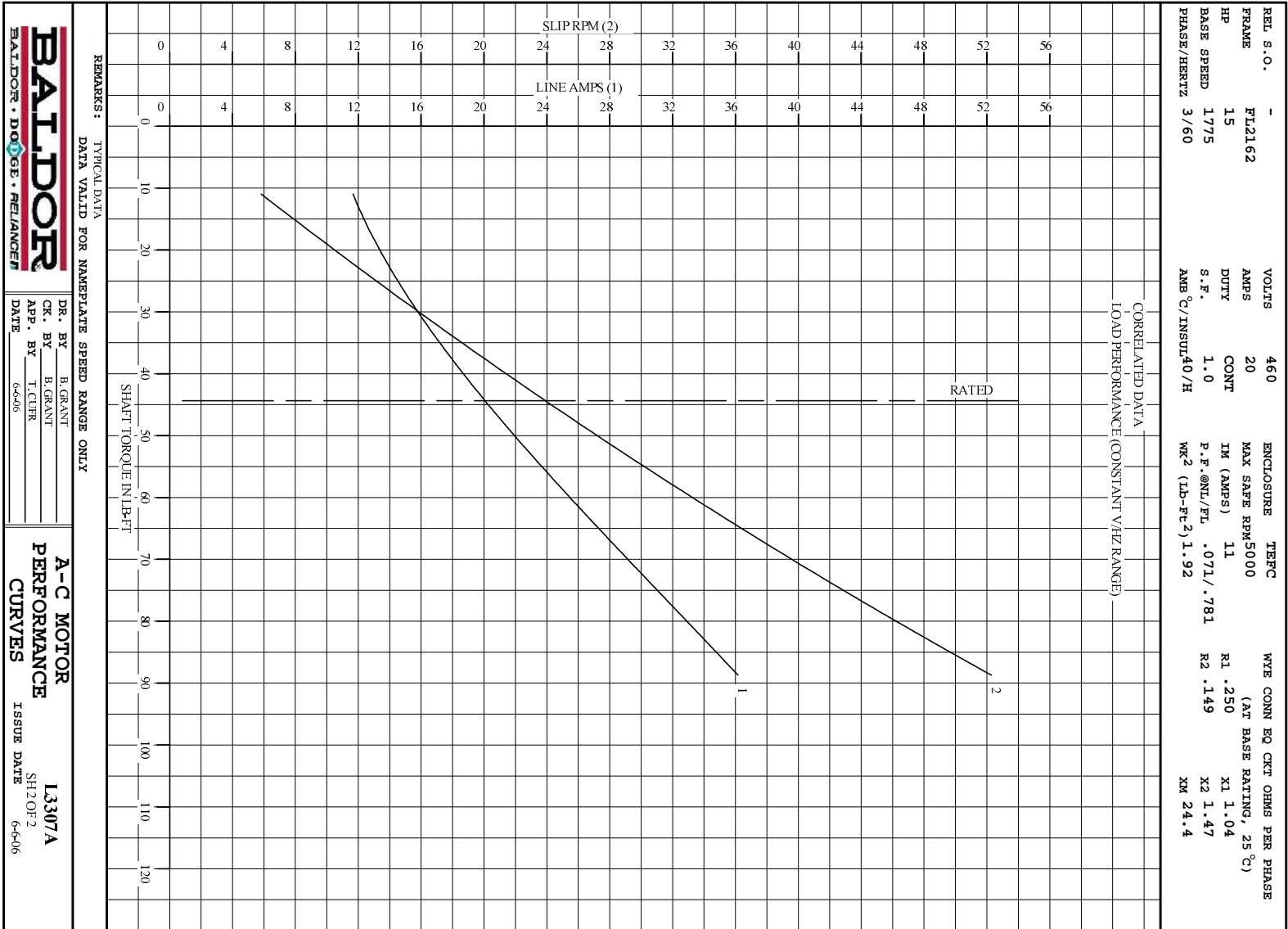


REMARKS: TYPICAL DATA  
 DATA VALID FOR NAMEPLATE SPEED RANGE ONLY

DR. BY B. GRANT  
 CK. BY B. GRANT  
 APP. BY T. CURR  
 DATE 6-6-06

**A-C MOTOR  
 PERFORMANCE  
 CURVES**

L3307A  
 SH1 OF 2  
 ISSUE DATE 6-6-06



**BALDOR**  
BALDOR • DOUG • RELIANCE

DR. BY B. GRANT  
CK. BY B. GRANT  
APP. BY T. CURR  
DATE 6-6-06

**A-C MOTOR PERFORMANCE CURVES**  
L3307A  
SH20F2  
ISSUE DATE 6-6-06