

BALDOR® • *RELIANCE*

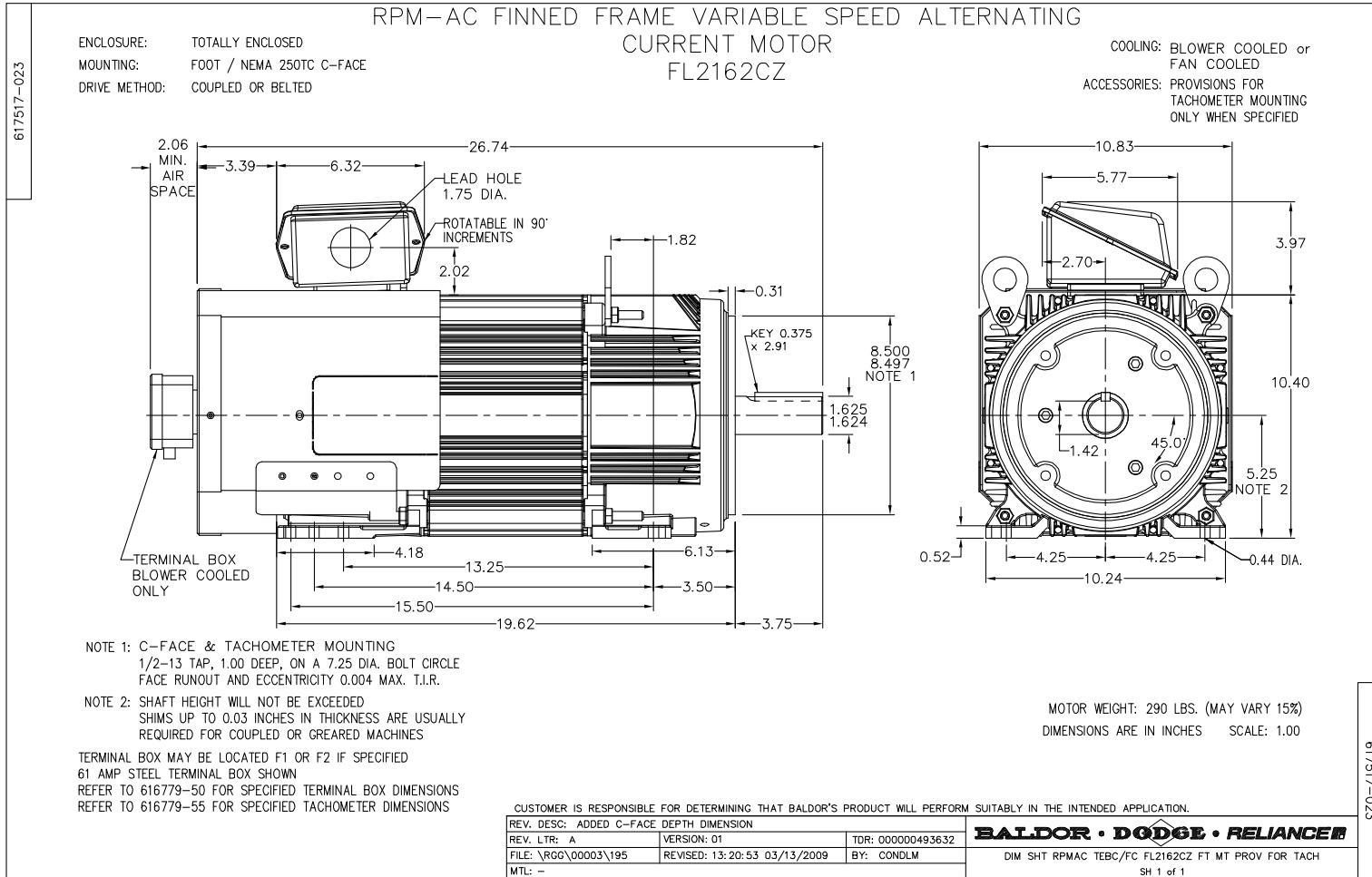
Product Information Packet

IDFRPM21204C

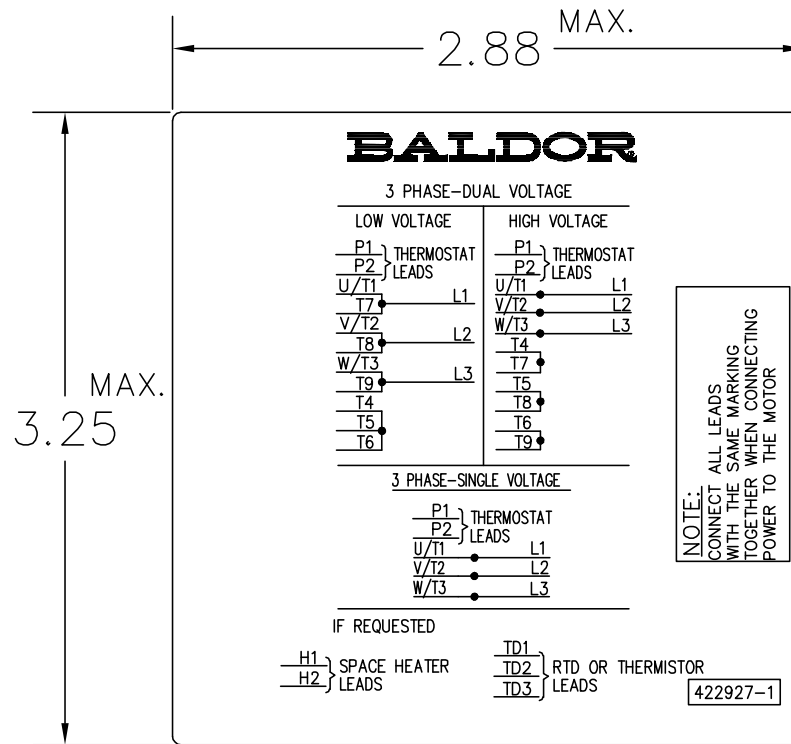
20 HP 1750 TEFC FL2162C (250TC)

Copyright © All product information within this document is subject to Baldor Electric Company copyright © protection, unless otherwise noted.

Part Detail			
Model Number:	IDFRPM21204C	Environment:	General Purpose
Voltage:	460	HP:	20
RPM:	1775/3545	Efficiency:	NA
Phase:	3	Frequency:	N/A
Inverter Duty:	Y	Enclosure:	TEFC
Frame Group:	210	Frame Size:	FL2162CZ
Features:	RPM AC	Mounting:	Foot Mounted
Service Factor:	1	Enclosure Group:	TEFC
Weight:	0	Price Symbol:	E2
Speed Range:		Insulation Class:	H
Nema Design:		Encl. Enhancement:	
Catalog Page:	B-194	Dimension Sheet:	617517-23
Connection Diagram:	422927-1	Electric Design:	L3308A
Single HP:	20	Get Notes:	RPM AC
Revision:		Instruction Manual:	
Application:	Variable Speed-V*S	Epact:	
Scaled Drawing:		Obsolete:	N
Last Data Source:	RGG,MADD	Bearing Type:	
Electrical Type:		Mounting Pos.:	
Ambient:	40	Duty:	
Amps:		Nominal Eff.:	
Kva Code:		Power Factor:	
Poles:	00	Literature:	



422927-001



NOTE:
DATA TO BE SIZED
SO THAT IT FITS INTO
MATERIAL DECAL
DIMENSIONS. MAKE
LETTERS & NUMBERS
AS LARGE AS POSSIBLE.

MATERIAL: CERAMATIC DGF-P4
PERMA GRIP ADHESIVE
ALL LETTERS, NUMBERS
AND LINES TO BE BLACK
ON GOLD BACKGROUND.

422927-1

422927-001

REV. DESC: CHANGE LOGO TO BALDOR		
REV. LTR: A	VERSION: 01	TDR: 000000556744
FILE: \RGG\00000\203	REVISED: 02:51:59 09/02/2010	
MTL: -	BY: RGGWT	

BALDOR

EXTERNAL CONNECTION LABEL
SH 1 of 1

REL. S.O.	-	VOLTS	460	ENCLOSURE	TEFC	WYE CONN EQ CKT OHMS PER PHASE
FRAME	FL2162	AMPS	27	MAX SAFE RPM	5000	(AT BASE RATING, 25 °C)
HP	20	DUTY	CONT	IM (AMPS)	15	R1 .179 X1 .845
BASE SPEED	1775	S.F.	1.0	P.F. @NL/FL	.066/.777	R2 .122 X2 1.09
PHASE/HERTZ	3/60	AMB °C/INSUL	40/H	WK ² (LB-FT ²)	1.92	XM 18.1

RATED FULL LOAD DATA


	RPM	HP	TORQUE LB-FT	FUND VOLTS	FREQ-HZ	AMPS
BASE SPEED	1774	20.0	59	460	60	26.9
MAX SPEED	3543	20.0	30	460	120	24.4
MIN SPEED	0	0	59	13.8	.874	26.9

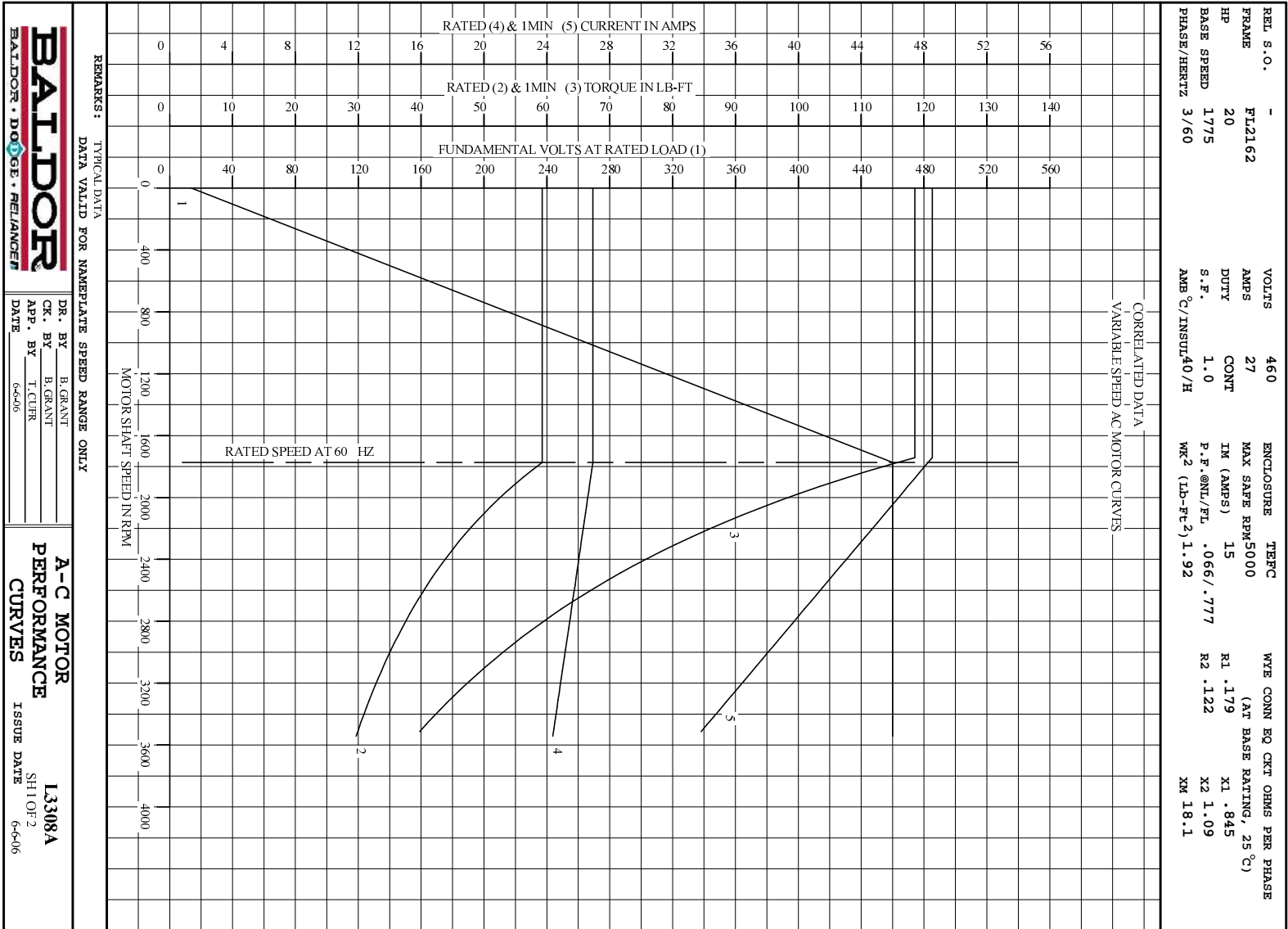
LOAD PERFORMANCE AT BASE SPEED

	RPM	HP	TORQUE LB-FT	FUND VOLTS	FREQ-HZ	AMPS
NO LOAD	1800	0	0	460	60	14.4
1/4	1794	5.01	15	460	60	15.7
1/2	1787	10.0	29	460	60	18.6
3/4	1781	15.0	44	460	60	22.4
FULL LOAD	1774	20.0	59	460	60	26.9
O/L	1742	39.3	119	460	60	48.5

BLOWER DATA	VOLTS	PH/HZ	FL AMPS	LR AMPS	FRAME	CFM

REMARKS: TYPICAL DATA
CORRELATED DATA

	DR. BY	B. GRANT	A-C MOTOR PERFORMANCE DATA
	CK. BY	T. CUER	
	APP. BY	6-6-06	
	DATE	6-6-06	



REMARKS: TYPICAL DATA
 DATA VALID FOR NAMEPLATE SPEED RANGE ONLY

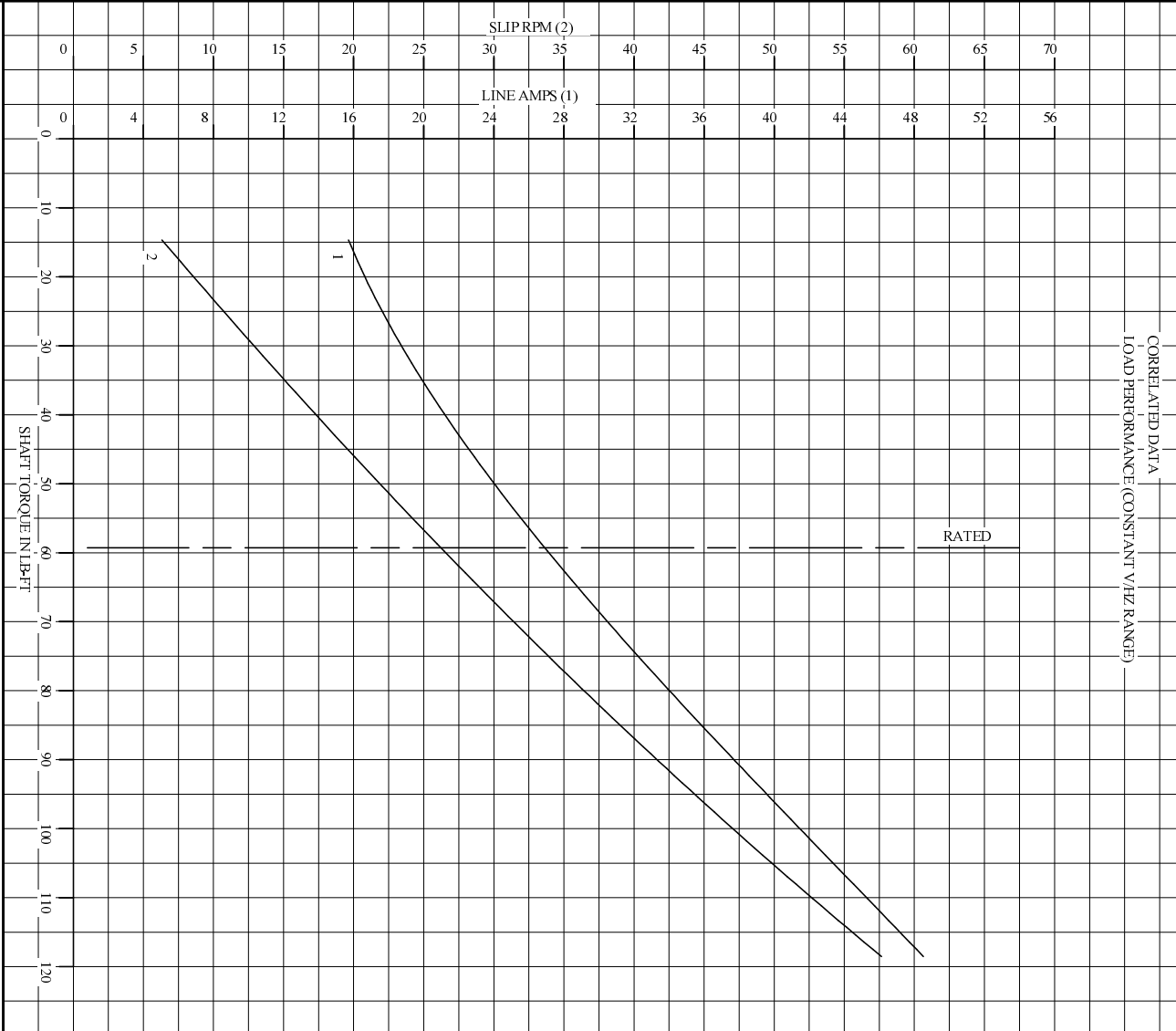
BALDOR
 BALDOR • DOUGLASS • RELIANCE

DR. BY B. GRANT
 CK. BY B. GRANT
 APP. BY T. CURR
 DATE 6-6-06

A-C MOTOR
 PERFORMANCE
 CURVES

L3308A
 SH1 OF 2
 ISSUE DATE 6-6-06

REL. S.O.	-	VOLTS	460	ENCLOSURE	TEFC	WYE CONN EQ CKT OHMS PER PHASE
FRAME	FL2162	AMPS	27	MAX SAFE RPM	5000	(AT BASE RATING, 25°C)
HP	20	DUTY	CONT	IM (AMPS)	15	R1 .179 X1 .845
BASE SPEED	1775	S.F.	1.0	P.F.@NL/FL	.066/.777	R2 .122 X2 1.09
PHASE/HERTZ	3/60	AMB C/INSUL	40/H	WK ² (LB-FC ²)	1.92	XN 18.1



REMARKS: TYPICAL DATA
DATA VALID FOR NAMEPLATE SPEED RANGE ONLY

BALDOR
BALDOR • DOUG • RELIANCE

DR. BY	B. GRANT
CK. BY	B. GRANT
APP. BY	T. CURR
DATE	6-6-06

A-C MOTOR PERFORMANCE CURVES

L3308A
SH20F2
ISSUE DATE 6-6-06