

BALDOR® • *RELIANCE*

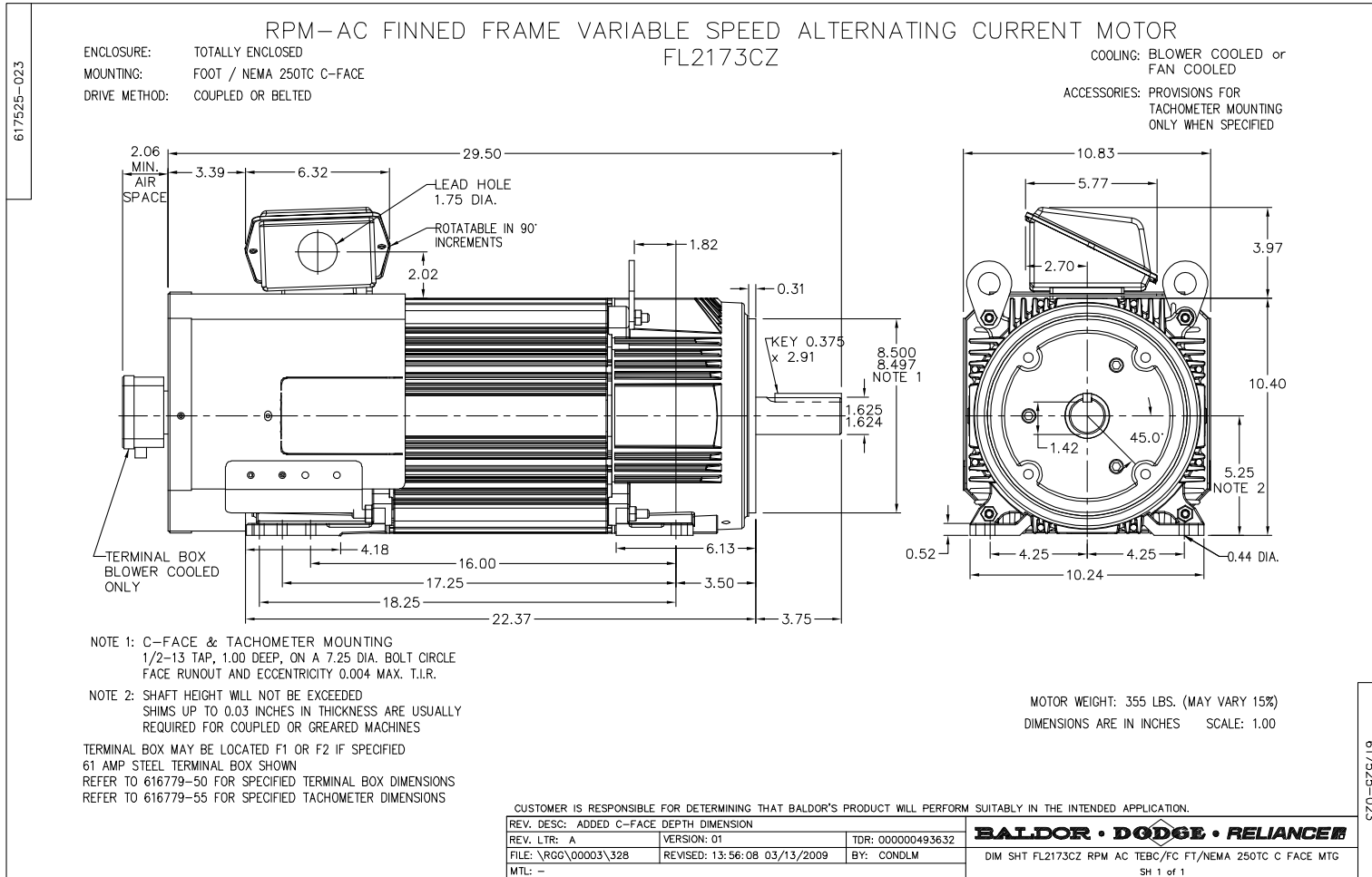
Product Information Packet

IDFRPM21254C

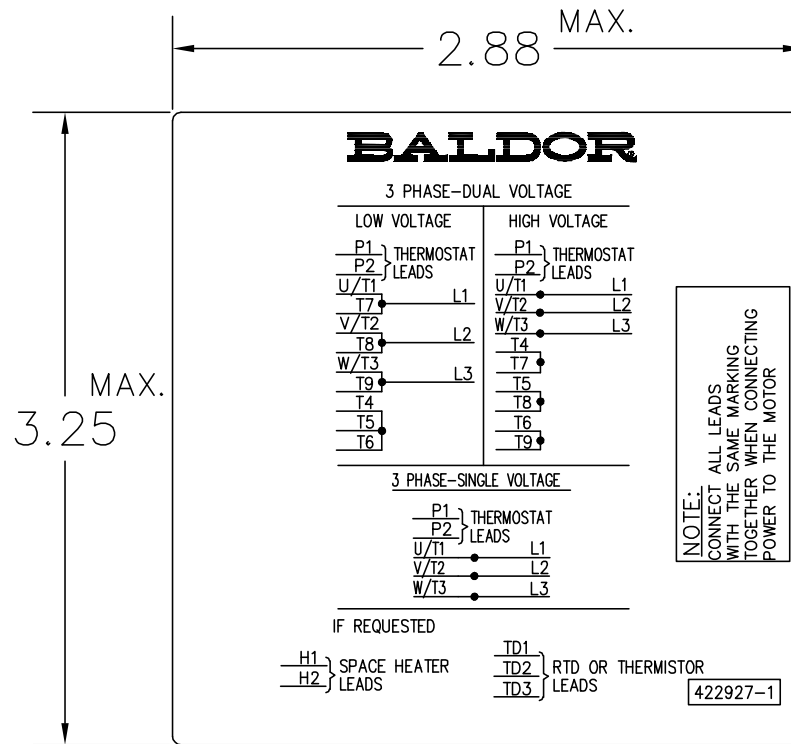
25 HP 1750 TEFC FL2173C (250TC)

Copyright © All product information within this document is subject to Baldor Electric Company copyright © protection, unless otherwise noted.

Part Detail			
Model Number:	IDFRPM21254C	Environment:	General Purpose
Voltage:	460	HP:	25
RPM:	1780/3555	Efficiency:	NA
Phase:	3	Frequency:	N/A
Inverter Duty:	Y	Enclosure:	TEFC
Frame Group:	210	Frame Size:	FL2173CZ
Features:	RPM AC	Mounting:	Foot Mounted
Service Factor:	1	Enclosure Group:	TEFC
Weight:	0	Price Symbol:	E2
Speed Range:		Insulation Class:	H
Nema Design:		Encl. Enhancement:	
Catalog Page:	B-194	Dimension Sheet:	617525-23
Connection Diagram:	422927-1	Electric Design:	L3213A
Single HP:	25	Get Notes:	RPM AC
Revision:		Instruction Manual:	
Application:	Variable Speed-V*S	Epact:	
Scaled Drawing:		Obsolete:	N
Last Data Source:	RGG,MADD	Bearing Type:	
Electrical Type:		Mounting Pos.:	
Ambient:	40	Duty:	
Amps:		Nominal Eff.:	
Kva Code:		Power Factor:	
Poles:	00	Literature:	



422927-001



NOTE:
DATA TO BE SIZED SO THAT IT FITS INTO MATERIAL DECAL DIMENSIONS. MAKE LETTERS & NUMBERS AS LARGE AS POSSIBLE.

MATERIAL: CERAMATIC DGF-P4
PERMA GRIP ADHESIVE
ALL LETTERS, NUMBERS AND LINES TO BE BLACK ON GOLD BACKGROUND.

422927-1

422927-001

REV. DESC: CHANGE LOGO TO BALDOR		
REV. LTR: A	VERSION: 01	TDR: 000000556744
FILE: \RGG\00000\203	REVISED: 02:51:59 09/02/2010	
MTL: -	BY: RGGWT	

BALDOR

EXTERNAL CONNECTION LABEL

SH 1 of 1

REL. S.O. - FL2173
 FRAME FL2173
 HP 25
 BASE SPEED 1780
 PHASE/HERTZ 3/60

VOLTS 460
 AMPS 34
 DUTY CONT
 S.F. 1.0
 AMB °C/INSUL 40/H

ENCLOSURE TEFC
 MAX SAFE RPM 5000
 IM (AMPS) 19
 P.F.@NL/FL .060/.765
 WK² (LB-FT²) 2.64

WYE CONN EQ CKT OHMS PER PHASE (AT BASE RATING, 25 °C)
 R1 .115 X1 .562
 R2 .0844 X2 .861
 XM 1.3.8

RATED FULL LOAD DATA


	RPM	HP	TORQUE LB-FT	FUND VOLTS	FREQ-HZ	AMPS
BASE SPEED	1778	25.0	74	460	60	33.8
MAX SPEED	3553	25.0	37	460	120	29.8
MIN SPEED	0	0	74	11.0	.731	33.8

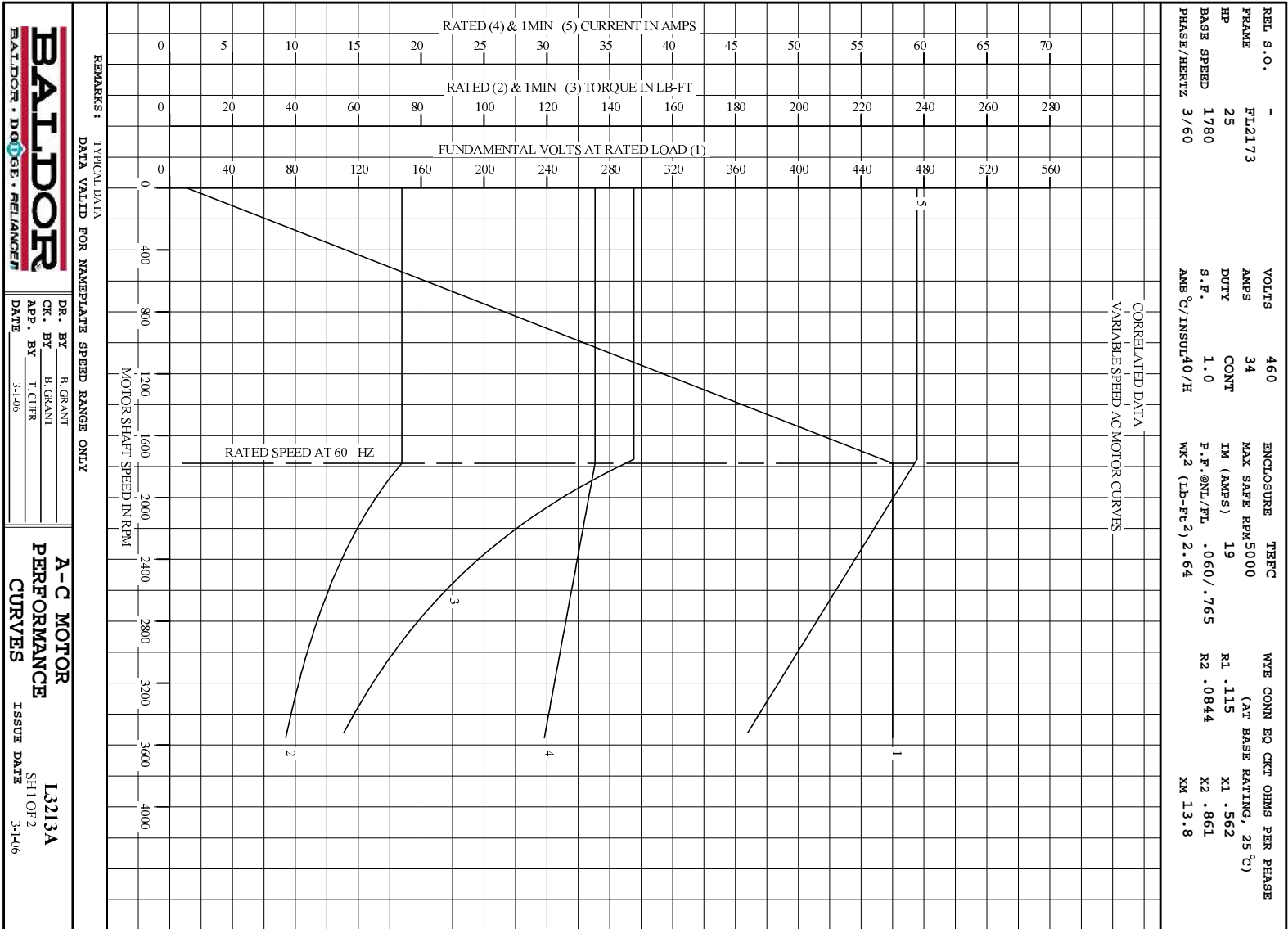
LOAD PERFORMANCE AT BASE SPEED

	RPM	HP	TORQUE LB-FT	FUND VOLTS	FREQ-HZ	AMPS
NO LOAD	1800	0	0	460	60	18.7
1/4	1795	6.26	18	460	60	20.5
1/2	1789	12.5	37	460	60	23.8
3/4	1784	18.8	55	460	60	28.4
FULL LOAD	1778	25.0	74	460	60	33.8
O/L	1753	49.3	148	460	60	59.4

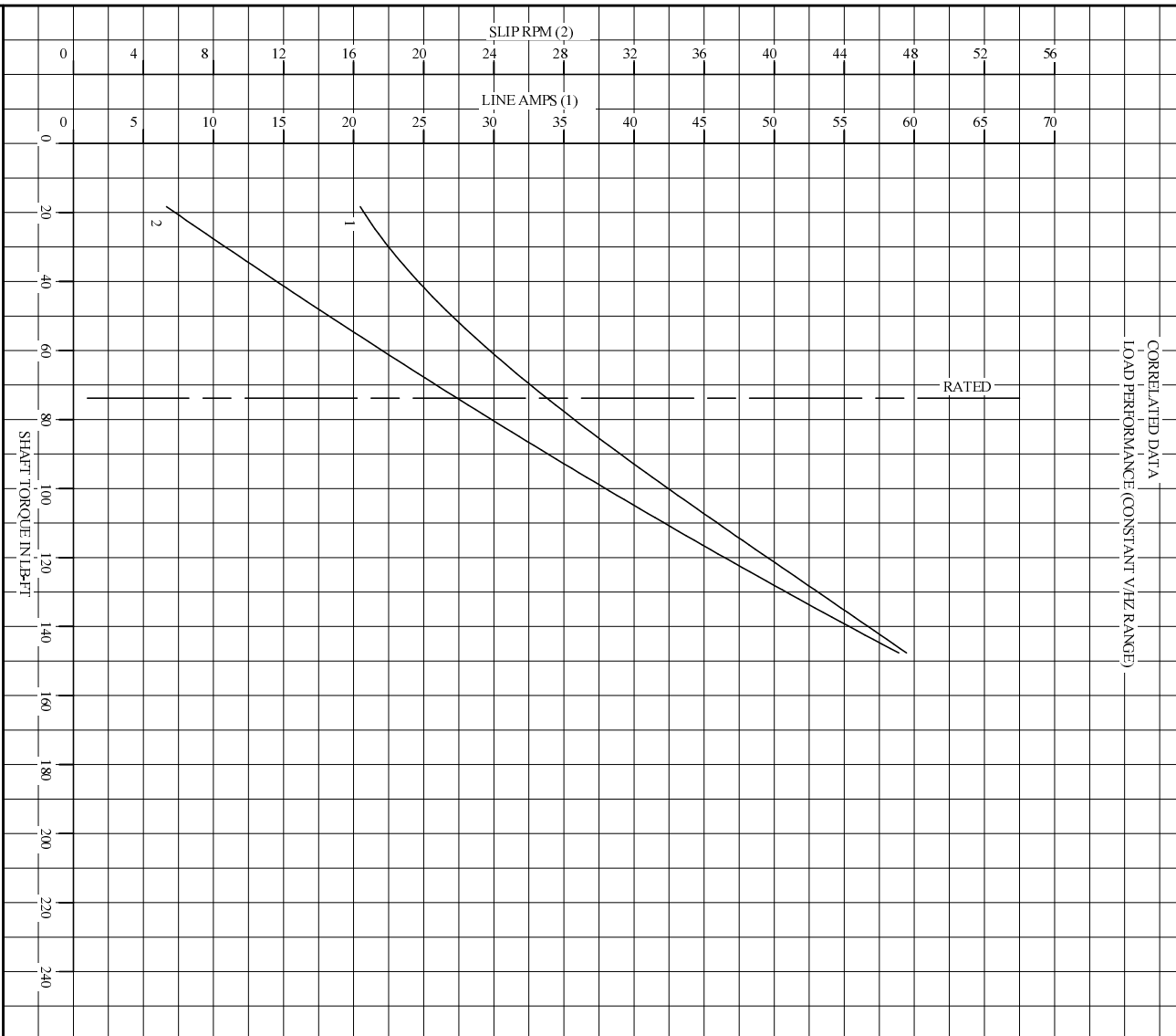
BLOWER DATA	VOLTS	PH/HZ	FL AMPS	LR AMPS	FRAME	CFM

REMARKS: TYPICAL DATA
 CORRELATED DATA

	DR. BY	B. GRANT	A-C MOTOR PERFORMANCE DATA
	CK. BY	T. CUER	
	APP. BY	3-1-06	ISSUE DATE
	DATE	3-1-06	3-1-06



REL S.O.	-	VOLTS	460	ENCLOSURE	TEFC	WYE CONN EQ CKT OHMS PER PHASE
FRAME	FL2173	AMPS	34	MAX SAFE RPM	5000	(AT BASE RATING, 25°C)
HP	25	DUTY	CONT	IM (AMPS)	19	R1 .115
BASE SPEED	1780	S.F.	1.0	P.F.@NL/FL	.060/.765	R2 .0844
PHASE/HERTZ	3/60	AMB C/INSUL	40/H	WK ² (LB-FL ²)	2.64	X1 .562
						R2 .861
						XN 13.8



REMARKS: TYPICAL DATA
DATA VALID FOR NAMEPLATE SPEED RANGE ONLY

BALDOR
BALDOR • DOUGLASS • RELIANCE

DR. BY B. GRANT
CK. BY B. GRANT
APP. BY T. CURR
DATE 3-1-06

A-C MOTOR
PERFORMANCE
CURVES

L3213A
SH20F2
ISSUE DATE 3-1-06