

BALDOR® • ***RELIANCE***

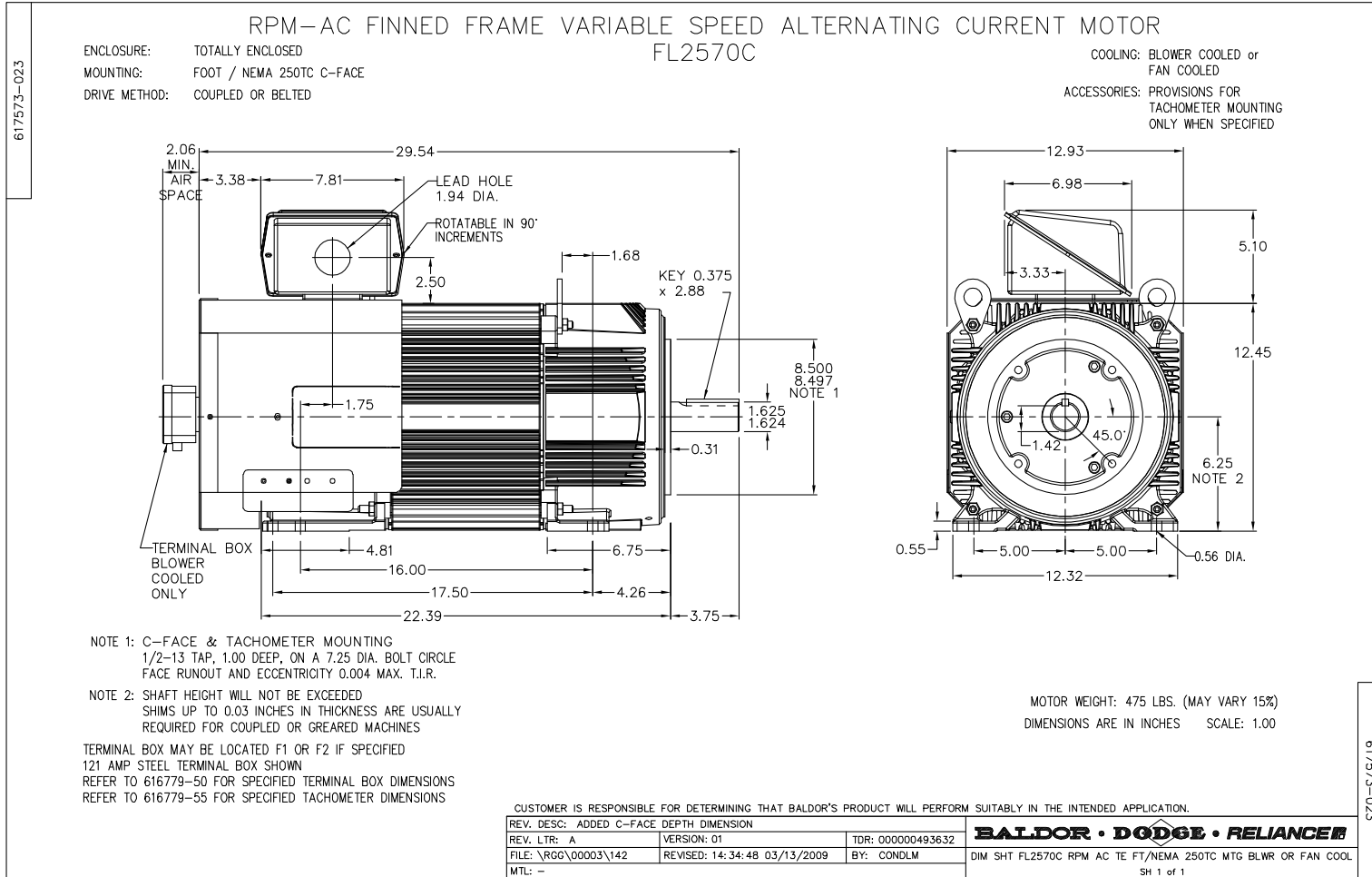
Product Information Packet

IDFRPM25304C

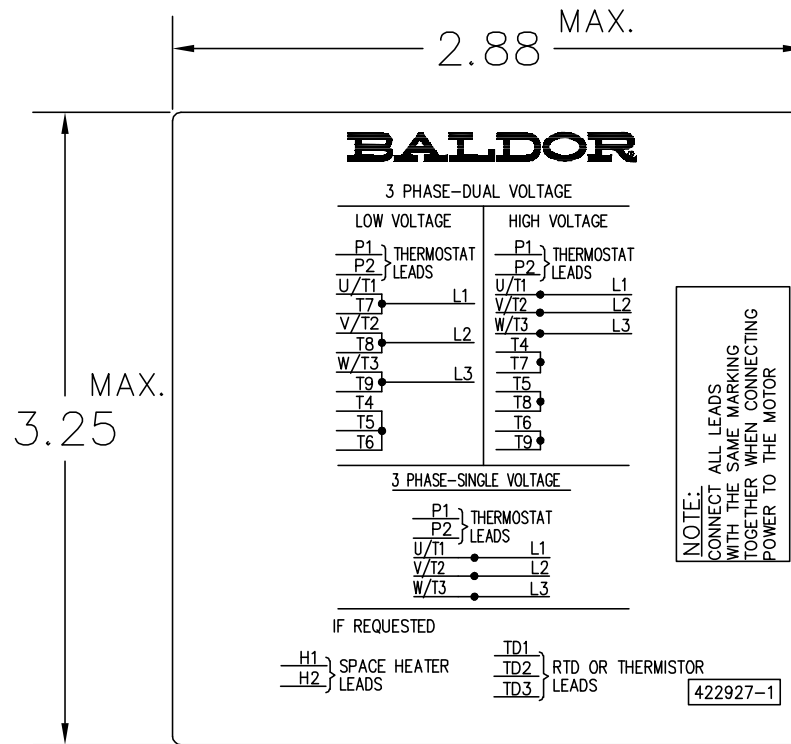
30 HP 1750 TEFC FL2570C (250TC)

Copyright © All product information within this document is subject to Baldor Electric Company copyright © protection, unless otherwise noted.

Part Detail			
Model Number:	IDFRPM25304C	Environment:	General Purpose
Voltage:	460	HP:	30
RPM:	1780/3555	Efficiency:	NA
Phase:	3	Frequency:	N/A
Inverter Duty:	Y	Enclosure:	TEFC
Frame Group:	250	Frame Size:	FL2570C
Features:	RPM AC	Mounting:	Foot Mounted
Service Factor:	1	Enclosure Group:	TEFC
Weight:	0	Price Symbol:	E2
Speed Range:		Insulation Class:	H
Nema Design:		Encl. Enhancement:	
Catalog Page:	B-194	Dimension Sheet:	617573-23
Connection Diagram:	422927-1	Electric Design:	L3379A
Single HP:	30	Get Notes:	RPM AC
Revision:		Instruction Manual:	
Application:	Variable Speed-V*S	Epact:	
Scaled Drawing:		Obsolete:	N
Last Data Source:	RGG,MADD	Bearing Type:	
Electrical Type:		Mounting Pos.:	
Ambient:	40	Duty:	
Amps:		Nominal Eff.:	
Kva Code:		Power Factor:	
Poles:	00	Literature:	



422927-001



NOTE:
DATA TO BE SIZED SO THAT IT FITS INTO MATERIAL DECAL DIMENSIONS. MAKE LETTERS & NUMBERS AS LARGE AS POSSIBLE.

MATERIAL: CERAMATIC DGF-P4
PERMA GRIP ADHESIVE
ALL LETTERS, NUMBERS AND LINES TO BE BLACK ON GOLD BACKGROUND.

422927-1

422927-001

REV. DESC: CHANGE LOGO TO BALDOR		
REV. LTR: A	VERSION: 01	TDR: 000000556744
FILE: \RGG\00000\203	REVISED: 02:51:59 09/02/2010	
MTL: -	BY: RGGWT	

BALDOR

EXTERNAL CONNECTION LABEL
SH 1 of 1

REL. S.O.	-	VOLTS	460	ENCLOSURE	TEFC	WYE CONN EQ CKT OHMS PER PHASE
FRAME	FL2570	AMPS	39	MAX SAFE RPM	5000	(AT BASE RATING, 25 °C)
HP	30	DUTY	CONT	IM (AMPS)	20	R1 .106 X1 .513
BASE SPEED	1780	S.F.	1.0	P.F.@NL/FL	.054/.796	R2 .0656 X2 .782
PHASE/HERTZ	3/60	AMB °C/INSUL	40/H	WK ² (LB-FT ²)	3.5	XM 13.4

RATED FULL LOAD DATA


	RPM	HP	TORQUE LB-FT	FUND VOLTS	FREQ-HZ	AMPS
BASE SPEED	1780	30.0	89	460	60	38.7
MAX SPEED	3555	30.0	44	460	120	35.7
MIN SPEED	0	0	89	11.7	.682	38.7

LOAD PERFORMANCE AT BASE SPEED

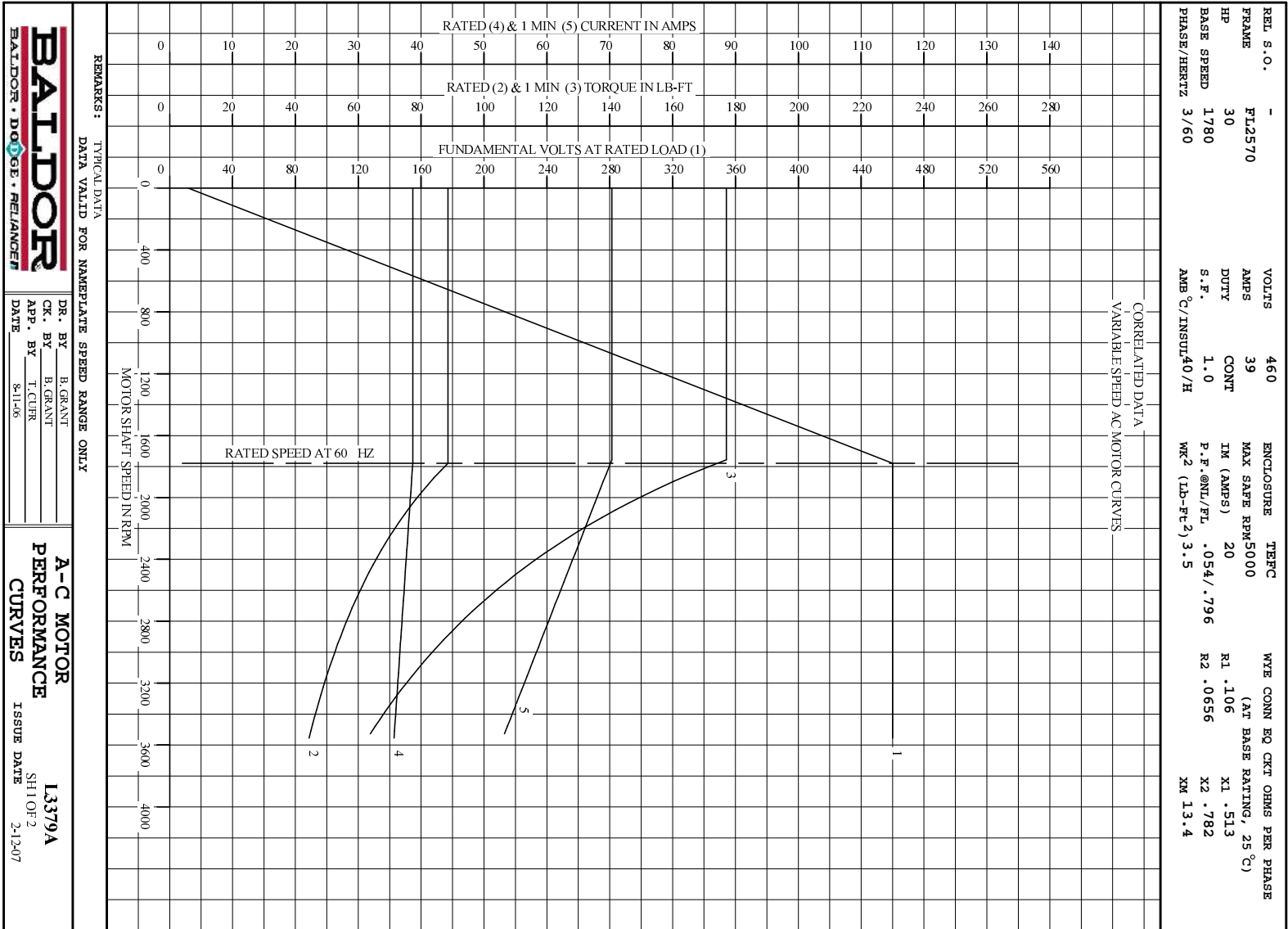
	RPM	HP	TORQUE LB-FT	FUND VOLTS	FREQ-HZ	AMPS
NO LOAD	1800	0	0	460	60	19.3
1/4	1795	7.51	22	460	60	21.5
1/2	1790	15.0	44	460	60	25.8
3/4	1785	22.5	66	460	60	31.8
FULL LOAD	1780	30.0	89	460	60	38.7
O/L	1756	59.2	177	460	60	70.3

BLOWER DATA	VOLTS	PH/HZ	FL AMPS	LR AMPS	FRAME	CFM

REMARKS: TYPICAL DATA
CORRELATED DATA

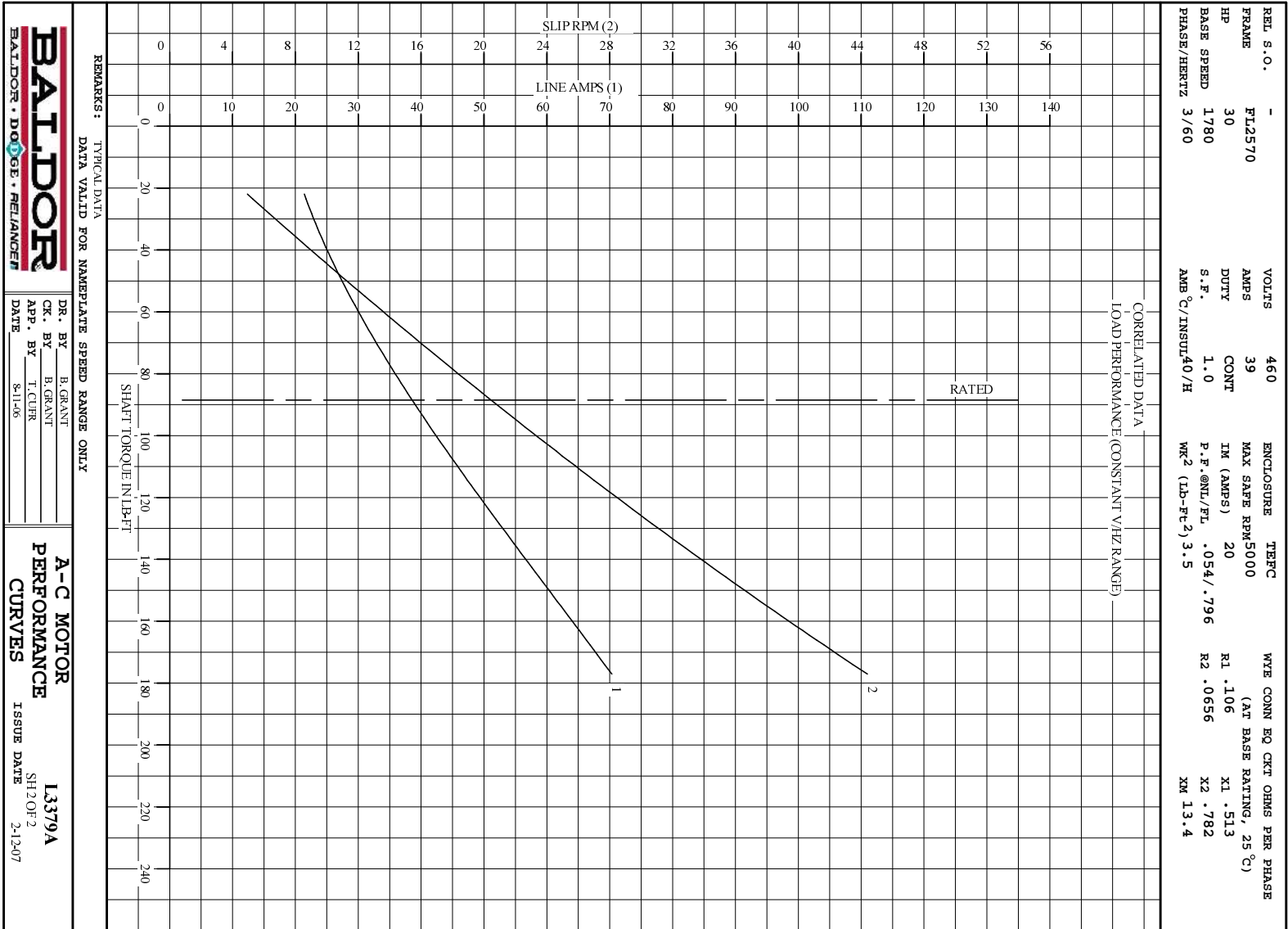
	DR. BY	B. GRANT	A-C MOTOR PERFORMANCE DATA
	CK. BY	T. CUER	
	APP. BY	8-11-06	
	DATE	8-11-06	

A-C MOTOR PERFORMANCE DATA	L3379A ISSUE DATE 2-12-07
---	--



REMARKS: TYPICAL DATA
DATA VALID FOR NAMEPLATE SPEED RANGE ONLY

<p>BALDOR</p> <p>BALDOR • DOUGLASS • RELIANCE</p>	<p>DR. BY B. GRANT</p> <p>CK. BY B. GRANT</p> <p>APP. BY T. CURR</p> <p>DATE 8-11-06</p>
<p>A-C MOTOR</p> <p>PERFORMANCE</p> <p>CURVES</p>	<p>L3379A</p> <p>SH 1 OF 2</p> <p>ISSUE DATE 2-12-07</p>



BALDOR
BALDOR • DOUG • RELIANCE

DR. BY B. GRANT
CK. BY B. GRANT
APP. BY T. CURR
DATE 8-11-06

A-C MOTOR
PERFORMANCE
CURVES

L3379A
SH20F2
ISSUE DATE 2-12-07