

# **BALDOR**® • *RELIANCE*

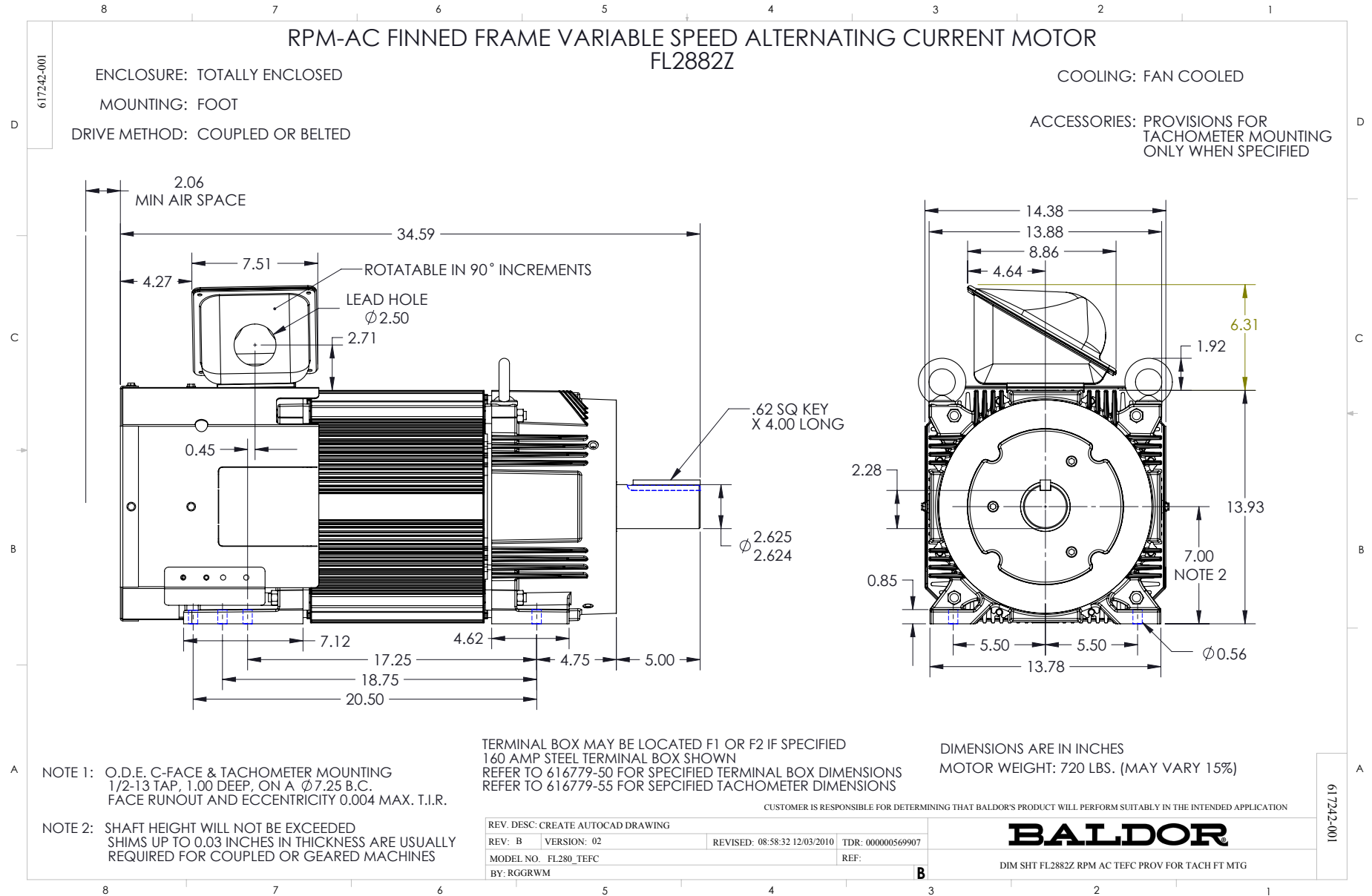
## **Product Information Packet**

# **IDFRPM28504**

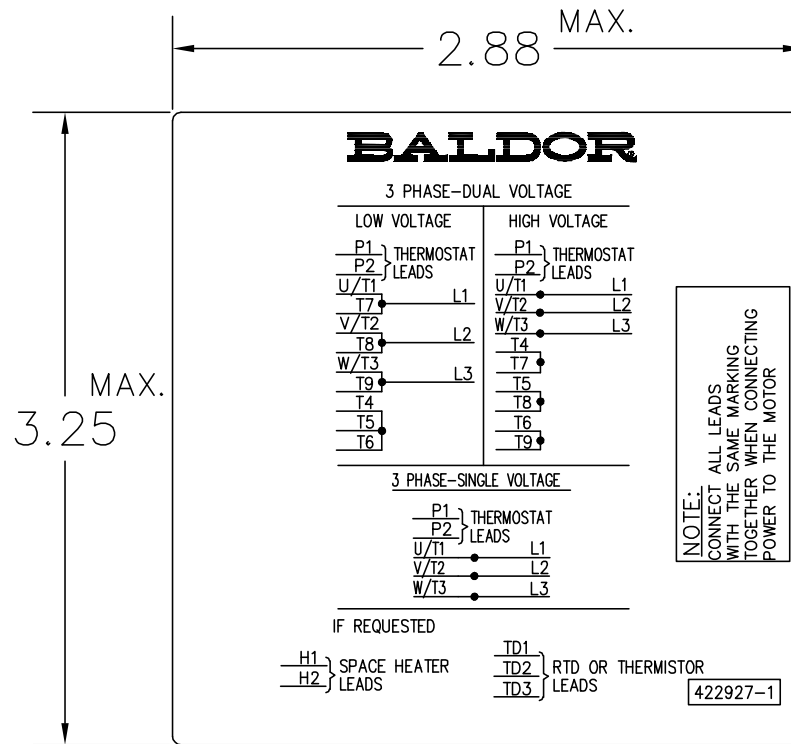
**50HP, 1750/3550, 3PH, FL2882, TEFC, FT**

Copyright © All product information within this document is subject to Baldor Electric Company copyright © protection, unless otherwise noted.

Part Detail			
Model Number:	IDFRPM28504	Environment:	
Voltage:	460	HP:	50
RPM:	1785/3565	Efficiency:	
Phase:	3	Frequency:	60
Inverter Duty:	*	Enclosure:	TEFC
Frame Group:	280	Frame Size:	FL2882
Features:		Mounting:	
Service Factor:	1	Enclosure Group:	TEFC
Weight:	0	Price Symbol:	
Speed Range:		Insulation Class:	H
Nema Design:		Encl. Enhancement:	
Catalog Page:		Dimension Sheet:	617242-1
Connection Diagram:	422927-1	Electric Design:	L4049A
Single HP:	50	Get Notes:	
Revision:		Instruction Manual:	
Application:		Epact:	
Scaled Drawing:		Obsolete:	N
Last Data Source:	RGG,MADD	Bearing Type:	
Electrical Type:		Mounting Pos.:	
Ambient:	40	Duty:	
Amps:		Nominal Eff.:	
Kva Code:		Power Factor:	
Poles:	00	Literature:	



422927-001



NOTE:  
DATA TO BE SIZED  
SO THAT IT FITS INTO  
MATERIAL DECAL  
DIMENSIONS. MAKE  
LETTERS & NUMBERS  
AS LARGE AS POSSIBLE.

MATERIAL: CERAMATIC DGF-P4  
PERMA GRIP ADHESIVE

ALL LETTERS, NUMBERS  
AND LINES TO BE BLACK  
ON GOLD BACKGROUND.

NOTE:  
CONNECT ALL LEADS  
WITH THE SAME MARKING  
TOGETHER WHEN CONNECTING  
POWER TO THE MOTOR

422927-1

422927-001

REV. DESC: CHANGE LOGO TO BALDOR		
REV. LTR: A	VERSION: 01	TDR: 000000556744
FILE: \RGG\00000\203	REVISED: 02:51:59 09/02/2010	
MTL: -	BY: RGGWT	

**BALDOR**

EXTERNAL CONNECTION LABEL

SH 1 of 1