

BALDOR® • RELIANCE

Product Information Packet

IDM2334T

20HP,1765RPM,3PH,60HZ,256TC,0948M,TEBC

Copyright © All product information within this document is subject to Baldor Electric Company copyright © protection, unless otherwise noted.

Part Detail							
Revision:	AE	Status:	PRD/A	Change #:		Proprietary:	No
Type:	AC	Prod. Type:	0948M	Elec. Spec:	09WGX715	CD Diagram:	
Enclosure:	TEBC	Mfg Plant:		Mech. Spec:	09F279	Layout:	
Frame:	256TC	Mounting:	F1	Poles:	04	Created Date:	
Base:	RG	Rotation:	R	Insulation:	H	Eff. Date:	09-29-2011
Leads:	9#12	Literature:		Elec. Diagram:		Replaced By:	
Nameplate NP1163L							
CAT NO	IDM2334T						
SPEC.	09F279X715G1						
FRAME	256TC	HP	20 TE				
VOLTS	230/460						
MAG CUR	19.6/9.8	FLA	48/24				
RPM	1765	RPM MAX	5000				
HZ	60	PH	3	CLASS	H		
SER.F.	1.00	DES	B	SL HZ	1.12		
NEMA-NOM-EFF	93	WK2	2.1				
BLWR V		PH		HZ		A	
RATING	40C AMB-CONT						
DE BRG	6309	ODE BRG	6208				
CC		SN					

Parts List		
Part Number	Description	Quantity
SA056306	SA 09F279X715G1	1.000 EA
RA050863	RA 09F279X715G1	1.000 EA
HW1002A63	WASHER, 5/8 HI-COLLAR SPRLCKWASHER	1.000 EA
09CB3002SP	CB W/1.38 LEAD HOLE FOR 37, 39, 307 & 30	1.000 EA
09GS1000SP	GASKET-CONDUIT BOX, 1/16 THICK LEXIDE	1.000 EA
10XN2520K12	1/4-20 X.75 GRD 5	2.000 EA
HW1001A25	LOCKWASHER 1/4, ZINC PLT .493 OD, .255 I	2.000 EA
WD1000B17	KPA-8C BURNDY TERMINAL	1.000 EA
11XW1032G06	10-32 X .38, TAPTITE II, HEX WSHR SLTD U	1.000 EA
09EP1100A74	FR. E.P. TEBC/TENV W/THRU SHAFT ENCODER	1.000 EA
HA4051A00	PLASTIC CAP FOR GREASE FITTING	1.000 EA
XY3816A12	3/8-16 FINISHED NUT	4.000 EA
HW1001A38	LOCKWASHER 3/8, ZINC PLT .688 OD, .382 I	4.000 EA
HA1005A12SP	SLINGER, OD 2.50, ID 1.433, 208 BRG	1.000 EA
51XW2520A12	.25-20 X .75, TAPTITE II, HEX WSHR SLTD	4.000 EA
10XN2520K12	1/4-20 X.75 GRD 5	1.000 EA
HW1001A25	LOCKWASHER 1/4, ZINC PLT .493 OD, .255 I	1.000 EA
HW5100A08	W3118-035 WVY WSHR (WB)	1.000 EA
10XN2520K28	1/4-20 X 1.75" HX HD SCRWGRADE 5, ZINC P	2.000 EA
HW1001A25	LOCKWASHER 1/4, ZINC PLT .493 OD, .255 I	2.000 EA
10XN2520K36	1/4-20 X 2.25" HX HD SCRWGRADE 5, ZINC P	4.000 EA
HW1001A25	LOCKWASHER 1/4, ZINC PLT .493 OD, .255 I	4.000 EA
09EP1300A12	ENDPLATE, MACH	1.000 EA
HA4051A00	PLASTIC CAP FOR GREASE FITTING	1.000 EA

Parts List (continued)		
Part Number	Description	Quantity
HW4600B44SP	V-RING SLINGER 1.500 X 2.290 X 0.280	1.000 EA
HA3113A01	THRUBOLT 3/8-16X14.875	4.000 EA
HW1001A38	LOCKWASHER 3/8, ZINC PLT .688 OD, .382 I	4.000 EA
09FH4002	FAN HSG TEBC 309 MTR F1 & F2 AB	1.000 EA
HA6353A01	MTG. BRACKET 309 FRAME FAN HOUSING	4.000 EA
10XN3118K08	5/16-18 X .50 GRADE #5, STL, ZINC PLATE	4.000 EA
33CB3002	CONDUIT BOX, CAST	1.000 EA
34CB4500SP	CONDUIT BOX LID, STAMPED	1.000 EA
34GS1001	GASKET, STD CONDUIT BOX LID (LEXIDE)	1.000 EA
51XW0832A07	8-32 X .44, TAPTITE II, HEX WSHR SLTD SE	4.000 EA
RM1022A02	GROMMET .875 ID 1.00 OD .12 WALL,VENDOR#	1.000 EA
51XN0832A12	8-32 HEX SLOT WSHR HD MACH SC GRADE 2, Z	2.000 EA
HW1001A08	WASHER, #8 SPLT LK, ZN	4.000 EA
XY0832A02	8-32 HEX NUT	2.000 EA
WD4101A09	STIMPSON D3560, .875 DIA. HOLE PLUG	1.000 EA
09CB3501SP	CONDUIT BOX LID FOR 09CB3001 & 09CB3002	1.000 EA
09GS1013SP	09 GS FOR 09CB3501 LID - LEXIDE	1.000 EA
51XW2520A12	.25-20 X .75, TAPTITE II, HEX WSHR SLTD	2.000 EA
HW2501G25	KEY, 3/8 SQ X 2.875	1.000 EA
LB1115	LABEL,LIFTING DEVICE	1.000 EA
LB1009	LABEL,ROTATION DIRECTION (ON ROLLS)	1.000 EA
HW4500A05	1669B ALEM/UNIV860 GR FTG X	1.000 EA
HW4500A17	317400 ALEMITE GREASE RELIEF	1.000 EA
HA4001A01SP	DRAIN PLUG, PLASTIC (MICRO PLAS)	1.000 EA

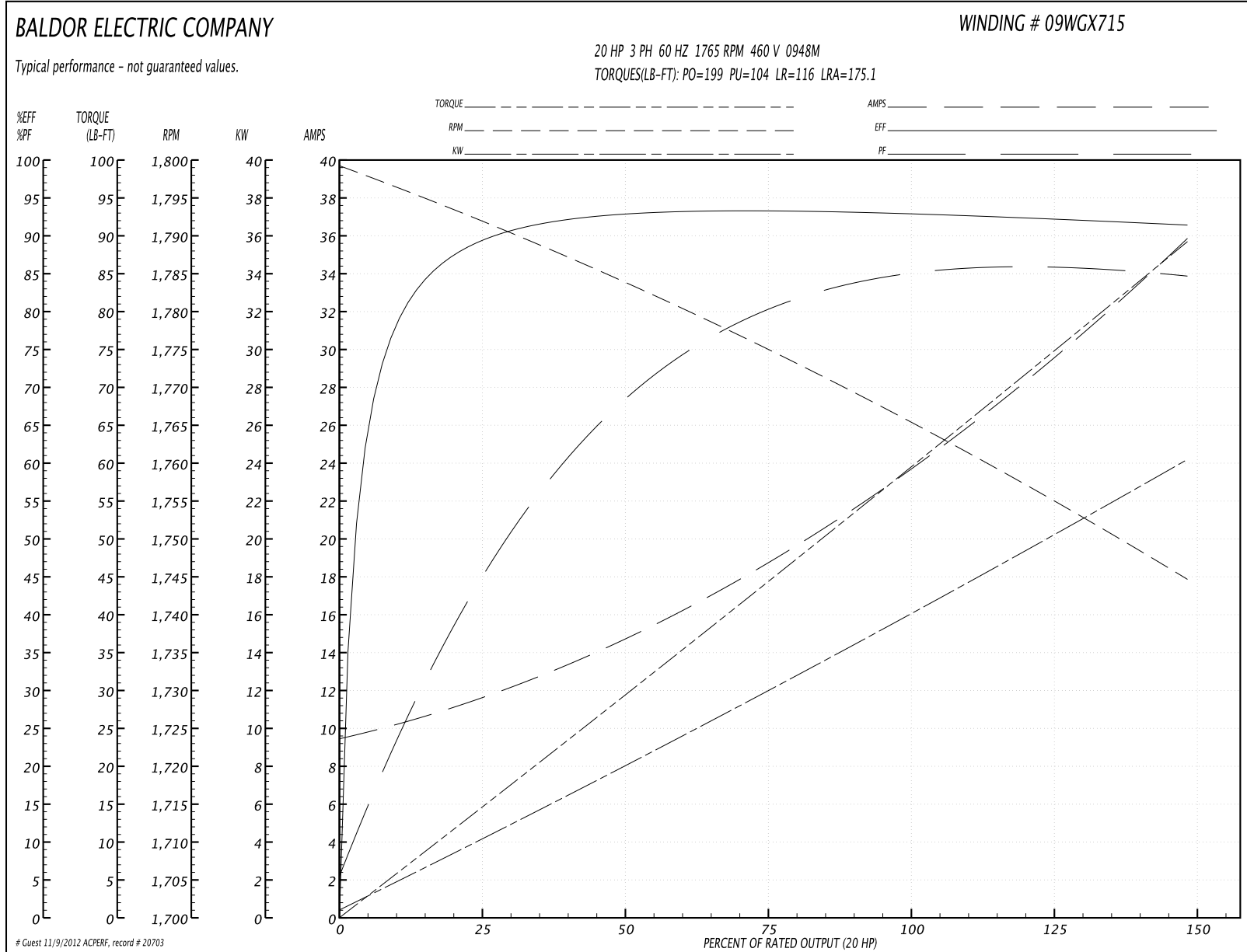
Parts List (continued)		
Part Number	Description	Quantity
MJ1000A75	GREASE, POLYREX EM EXXON	0.080 LB
HW4500A03	GREASE FITTING, .125 NPT 1610(ALEMITE) 8	1.000 EA
HW4500A17	317400 ALEMITE GREASE RELIEF	1.000 EA
HA4001A01SP	DRAIN PLUG, PLASTIC (MICRO PLAS)	1.000 EA
EF5000SP	VENTURI/GRILLE KIT FOR 307/309 TEBC MOTO	1.000 EA
WD4101A08	STIMPSON #D3557,1.188 DIA. HOLE PLUG	2.000 EA
MG1000G27	PAINT- S9282E CHARCOAL GREY	0.050 GA
85XU0407A04	#4-7 X 1/4 DRIVE PIN	2.000 EA
LB1119	WARNING LABEL	1.000 EA
LB5040	INSTRUCTION TAG, AC & DC	1.000 EA
LB1125C01	STD (STOCK) CARTON LABEL BALDOR WITH FLA	4.000 EA
LC0005	CONN.DIA.,TY M,9-LD,DUAL VOLT,REVERSING	1.000 EA
NP1163L	ALUM INV UL CSA CC	1.000 EA
42PA1010	PACKAGING GROUP, STD 09 BRAKE MTR	1.000 EA

Performance Data at 460V, 60Hz, 20.0HP (Typical performance - Not guaranteed values)

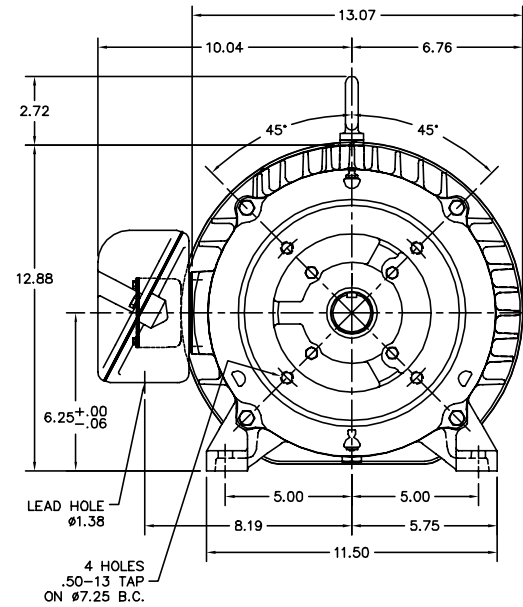
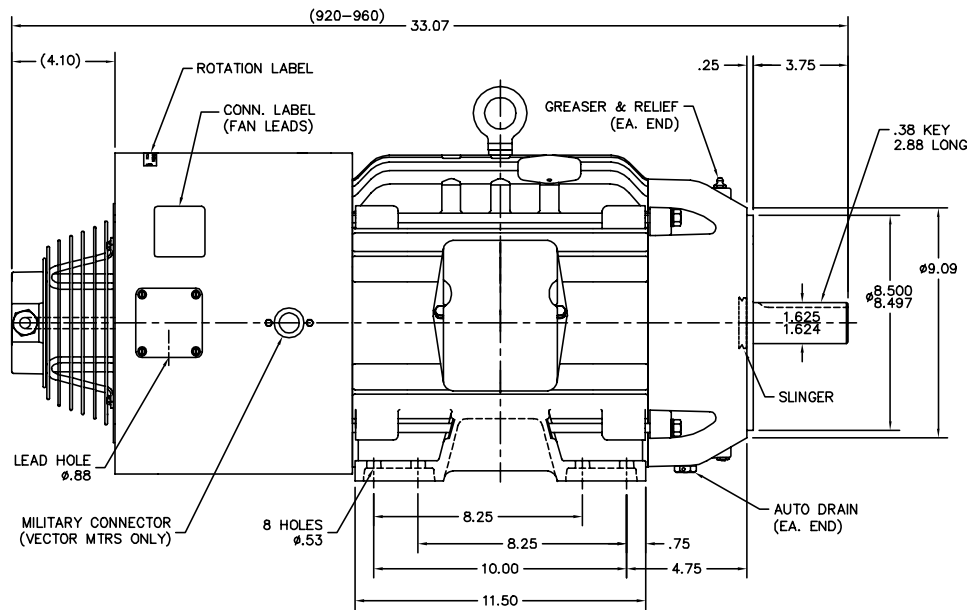
General Characteristics			
Full Load Torque:	59.5 LB-FT	Start Configuration:	DOL
No-Load Current:	9.79 Amps	Break-Down Torque:	199.0 LB-FT
Line-line Res. @ 25°C.:	0.416 Ohms A Ph / 0.0 Ohms B Ph	Pull-Up Torque:	104.0 LB-FT
Temp. Rise @ Rated Load:	64 C	Locked-Rotor Torque:	116.0 LB-FT
Temp. Rise @ S.F. Load:		Starting Current:	175.1 Amps

Load Characteristics							
% of Rated Load	25	50	75	100	125	150	S.F.
Power Factor:	47.0	70.0	79.0	84.0	86.0	86.0	85.0
Efficiency:	89.0	92.6	93.3	93.0	92.4	91.3	92.7
Speed:	1792.0	1784.0	1775.0	1765.0	1755.0	1745.0	1759.0
Line Amperes:	11.24	14.53	18.98	23.92	29.6	35.61	27.33

Performance Graph at 460V, 60Hz, 20.0HP Typical performance - Not guaranteed values



09LYF279



CUSTOMER IS RESPONSIBLE FOR DETERMINING THAT MOTOR PERFORMANCE IS SUITABLE IN THE APPLICATION.

REV. DESC: ADDED LEADER "CONN. LABEL (FAN LEADS)"			
REV. LTR: C	BY: DLS	REVISED: 09:41:57 05/18/2001	TDR: 239995
FILE: AAA00070812		REF: 09LYF279	
MTL: -			

BALDOR ELECTRIC Co.

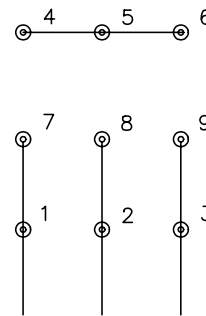
STD HORZ TEBC 254-6TC INV/VEC W/THRU SHAFT ENCODER DESIGN

09LYF279

CD0005

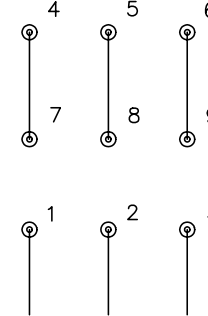


LOW VOLTAGE
(2Y)



LINE

HIGH VOLTAGE
(1Y)



LINE

NOTES:

1. INTERCHANGE ANY TWO LINE LEADS TO REVERSE ROTATION.
2. OPTIONAL THERMOSTATS ARE PROVIDED WHEN SPECIFIED.
3. ACTUAL NUMBER OF INTERNAL PARALLEL CIRCUITS MAY BE A MULTIPLE OF THOSE SHOWN ABOVE.
4. LEAD COLORS ARE OPTIONAL. LEADS MUST ALWAYS BE NUMBERED AS SHOWN.

REV. DESC: REVISE TO SHOW OPTIONAL COLORS			
REV. LTR: E	BY: JLP	REVISED: 01/19/99 10:15	TDR: 0171435
90000		FILE: AAA00005140	MDL: -
		MTL: -	

BALDOR ELECTRIC Co.

3PH, DV, 9 LEADS

CD0005